

ROBIT® DTH PRODUCT CATALOGUE

The Widest Offering in High Quality Drilling Consumables

ROBIT® DTH PRODUCT CATALOGUE



- DTH Hammers
- DTH Bits
- Casing Advancing Systems
- Shock Absorbers
- Drill Pipes
- Accessories



Robit
FURTHER. FASTER.

3/2020

Robit

ROBIT® DTH PRODUCT CATALOGUE

Copyright © 2020, Robit Plc

All rights reserved. No part of this catalogue may be reproduced or transmitted in any form or by any means, electronic or mechanical, including photocopying, recording, or by any information storage and retrieval system, without written permission from the publisher.

Trademarks

Robit is a trademark of Robit Plc

Publisher

Robit Plc

www.robittgroup.com



w

Printed: March 2020

Robit reserves all rights to any changes in the products and the specifications without prior notice.

CONTENTS



| | |
|--|-----------|
| CONTENTS | 3 |
| ROBIT IN BRIEF | 4 |
| PRODUCT LINES | 6 |
| DTH APPLICATIONS | 7 |
| ROBIT DOWN THE HOLE OFFERING | 8 |
| DTH HAMMERS | 11 |
| DTH HAMMERS CODES | 12 |
| CONVENTIONAL HAMMERS CODES | 14 |
| RC HAMMERS CODES | 16 |
| GENERAL PURPOSE HAMMERS | 21 |
| BR1 | 22 |
| BR2 | 23 |
| BR33 | 24 |
| HYPER 31 | 25 |
| HYPER 41 | 26 |
| HYPER 51 | 27 |
| HYPER 63 | 28 |
| HYPER 81 | 29 |
| HYPER 101 | 30 |
| HYPER 121 | 31 |
| HYPER 141 | 32 |
| HYPER 181 | 33 |
| HYPER 181S..... | 34 |
| HYPER 241 | 35 |
| HYPER 241S..... | 38 |
| HYPER 331 | 39 |
| WELL DRILLING HAMMERS | 41 |
| WH4 | 42 |
| WH5 DHD350 2 $\frac{3}{8}$ " API REG..... | 43 |
| WH5 DHD350 3 $\frac{1}{2}$ " API REG..... | 44 |
| WH5 QL50 2 $\frac{3}{8}$ " API REG..... | 45 |
| WH5 QL50 3 $\frac{1}{2}$ " API REG..... | 46 |
| WH6 DHD360 3 $\frac{1}{2}$ " API REG..... | 47 |
| WH6 QL60 3 $\frac{1}{2}$ " API REG..... | 48 |
| WH6 HD QL60 3 $\frac{1}{2}$ " API REG | 49 |
| HYPER 81 | 50 |
| HYPER 101 | 51 |
| HYPER 121 | 52 |
| BLAST HOLE HAMMERS | 55 |
| D35 IR3.5 2 $\frac{3}{8}$ " API REG | 56 |
| D45 DHD340 2 $\frac{3}{8}$ " API REG | 57 |
| D45 DHD340 2 $\frac{3}{8}$ " API REG HEAVY DUTY..... | 58 |
| D45 DHD340 2 $\frac{7}{8}$ " API REG | 59 |
| D55 QL50 3 $\frac{1}{2}$ " API REG | 60 |
| D65 QL6 3 $\frac{1}{2}$ " API REG | 61 |
| D65 QL6 3 $\frac{1}{2}$ " API REG..... | 62 |
| D65 QL6 3 $\frac{1}{2}$ " API REG HEAVY DUTY | 63 |
| D65 QL6 3 $\frac{1}{2}$ " BECO | 64 |
| D75 D75 4 $\frac{1}{2}$ " API REG..... | 65 |
| D84 QL80 4 $\frac{1}{2}$ " API REG | 66 |
| D84 QL80 4 $\frac{1}{2}$ " BECO | 67 |
| D88 QL80 4 $\frac{1}{2}$ " API REG | 68 |

| | |
|--|------------|
| RC HAMMERS | 71 |
| DR38 3 $\frac{1}{2}$ " REMET..... | 72 |
| DR43 3 $\frac{1}{2}$ " REMET..... | 73 |
| DR43 4" REMET..... | 74 |
| DR43 4" REMET RETENTION | 75 |
| DR44 4" REMET | 76 |
| DR44 4" METZKE | 77 |
| DR44 4 $\frac{1}{2}$ " REMET..... | 78 |
| DR53 4 $\frac{1}{2}$ " REMET..... | 79 |
| DR53 4 $\frac{1}{2}$ " REMET RETENTION | 80 |
| DR53 4 $\frac{1}{2}$ " METZKE | 81 |
| DR53 4 $\frac{1}{2}$ " METZKE HEAVY DUTY | 82 |
| DR55 4 $\frac{1}{2}$ " REMET | 83 |
| DR55 4 $\frac{1}{2}$ " REMET RETENTION | 84 |
| DR55 4 $\frac{1}{2}$ " METZKE..... | 85 |
| DR55 4 $\frac{1}{2}$ " METZKE RETENTION | 86 |
| DTH BITS | 89 |
| BIT SELECTION GUIDE | 90 |
| EXPLORATION BITS CODES | 92 |
| GENERAL PURPOSE BITS | 95 |
| BLAST HOLE BITS | 96 |
| IR3.5 | 97 |
| DHD340..... | 98 |
| QL50..... | 99 |
| QL60..... | 100 |
| D75 | 101 |
| QL80..... | 102 |
| RC BITS | 104 |
| DR38 | 105 |
| DR43 | 106 |
| DR43 RETENTION..... | 107 |
| DR44 | 108 |
| DR53 | 109 |
| DR53 RETENTION..... | 110 |
| DR55 | 111 |
| DR55 RETENTION..... | 112 |
| CASING ADVANCING SYSTEMS | 115 |
| CASING SYSTEMS CODES | 116 |
| DTH Prime | 120 |
| DTH-RoX+, DTH-RoX++ | 122 |
| DTH-RoX MU | 124 |
| DTH SR | 126 |
| DTH SF (STEEL FIST)..... | 128 |
| CDS-R(S) | 130 |
| DTH-REC..... | 132 |
| SHOCK ABSORBERS | 135 |
| 2"- 6" Shock Absorbers | 136 |
| 8"-10" Shock Absorbers..... | 137 |
| 12" Shock Absorbers..... | 138 |
| 18" Shock Absorbers..... | 139 |
| 30" Shock Absorbers..... | 140 |
| DRILL PIPES | 143 |
| Drill Pipes..... | 144 |
| Drill Pipes - Double Pipe..... | 146 |
| Drill Pipes - RC Pipe..... | 147 |
| ACCESSORIES | 149 |
| Accessories..... | 150 |
| Air hoses & chain keys..... | 151 |



ROBIT IN BRIEF

The widest offering in drilling consumables

Robit Plc is a strongly internationalized growth company selling and servicing global customers in drilling consumables for applications in mining, surface drilling and foundation, underground construction and well drilling. Robit's focus is only in drilling consumables.

The company's offering is divided into two product and service range: Top Hammer and Down the Hole. Products are known their high quality, excellent drilling results and performance made by the latest technology.

Robit has 13 own sales and service points as well as active sales network in over 100 countries. The manufacturing units are located in Finland, South Korea, Australia and UK, which guarantee a short and precise deliveries.

Robit is listed in Nasdaq Helsinki Ltd's marketplace with trading code ROBIT.

For more information, see www.robgroup.com





Down the Hole Business

The Down the Hole business line covers all operations related to the down the hole drilling method. The main product categories consist of DTH hammers, DTH bits, DTH tubes, DTH casing systems and shock absorbers. The selection is the widest in the world and encompasses top quality products (included top hammer business consumables) for all your applications: piling, bench drilling, production drilling, site investigation, drifting & tunnelling, excavation, horizontal drilling, forepoling, well drilling, anchoring, micropiling and underpinning.

We offer You:

- The highest quality in drilling consumables – Our focus is 110 % in drilling consumables.
- Excellent drilling results and performance – We have a lot of references.
- We emphasize a short and precise deliveries from 4 factories – Robit also has comprehensive storages in every continent.

Robit is following together with its key customers the development steps of more powerful hydraulic drifters. Robit is modelling and simulating the dynamic forces and stresses and innovates new solutions to meet the best performance, efficiency and lifetime to drillers' needs.

Top Hammer Business

Robit Top Hammer business line covers all construction, quarrying and mining drill, blast applications and forepoling, from the softest to the hardest of rock conditions. Underground construction is one of the most important customer segments for Robit bits, and applications such as drifting and bolt hole drilling are well catered for, as well as patented RoX top hammer casing systems for tunnelling support. Robit's quality has been approved worldwide by major mining and quarrying customers. The selection is wide and encompasses products, such as: drifting and tunneling bits, reaming equipment, bench and production drilling bits, rods, shanks, couplings, auxiliary tools, such as button bit adapters.

The Digital Services is focused on providing modern, new digital technologies for operating with Top Hammer. Initially the offering comprises the unique drill hole measurement technology branded as Robit Sense Systems. A significant leap on this path was taken when Robit became the first company in the world to develop a patented system that can measure hole deviation during the percussive drilling process. More info at Robit's Top Hammer Product Catalogue and website: www.robitegroup.com.



MINING

- Blast hole hammers and bits
- Reverse circulation hammers and bits
- Drill pipes
- Accessories



CONSTRUCTION

- General purpose hammers and bits
- Casing advancing systems
- Shock absorbers
- Drill pipes
- Accessories



WELL DRILLING

- Well drilling hammers and bits
- Casing advancing systems
- Shock absorbers
- Drill pipes
- Accessories



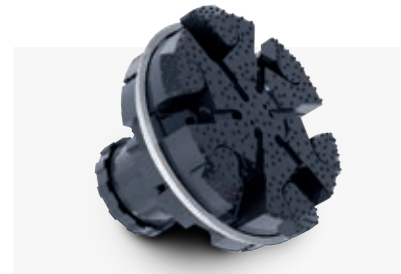
Widest offering in Down the Hole drilling consumables



Robust DTH hammers – wide range and all the sizes of blast hole, general purpose, well drilling and reverse circulation hammers. Hammers have robust design as well as minimized fuel consumption and optimized air flow with the highest performance.



Efficient DTH bits – for drilling blast holes, wells, general purposes as well as RC models for sampling. Robust designs for the maximum penetration rate in hard and abrasive rock conditions.



Patented Casing Advancing Systems with spiral locking. Sizes from 114,3 mm up to 1220 mm. Wide range of ring bit, wing bit, essentric and drill through models. Proven quality worldwide – references in all applications.



Reliable Shock absorbers – Efficient damping available for 2" up to 33" hammers.



Strong Drill pipes – Single pipes available from OD 76 mm up to 323 mm sizes and double pipes from OD 406 mm up to 1220 mm. Tool joints API reg. and HEX standards.



Wide range of Accessories – Wide range of subs, check valves & hammer sleeves, air hoses and chain keys. Ask for more: sales@robitgroup.com

Proven quality – manufactured with the automated production lines

- Robust design for abrasive ground conditions
- High penetration rate in hard rock
- Patented spiral locking system for casing systems
- Drill through technology in piling

Reliable partner

Widest offering in drilling consumables – Proven quality – Customization for project needs – Drill master service – Solving drilling challenges and problems – Experience – References



DR045

Robit DR045

Further. Faster.

Further. Faster.



DTH HAMMERS

General purpose hammers

Well drilling hammers

Blast hole hammers

RC hammers



DTH HAMMERS CODES

Hyper series for general purpose drilling

- Robust hammers of simple design to provide maximum performance with minimal maintenance.
- Offered in a wide range of sizes 1"-33".
- Used globally e.g. in demanding construction and foundation projects.



WH series for well drilling

- Extra heavy duty hammers designed specifically for deep hole drilling and use with high pressure compressors.
- Minimized fuel consumption.
- Optimized air flow.



D series for blasthole drilling

- Proven performance in the largest mines and toughest ground conditions throughout the world.
- Known for reliability, longevity and productivity.
- Best choice for heavy duty blast hole drilling.



DR series for RC drilling

- Proven choice for exploration & grade control markets.
- Offered in 5 different models.
- Designed for use with high pressure compressors.



CONVENTIONAL HAMMERS CODES

Chuck

- Robit Chucks have a tungsten coating applied to the outside.
- This creates a protective coating to minimise wear.
- In turn this also protects the Wear Sleeve from premature wear.



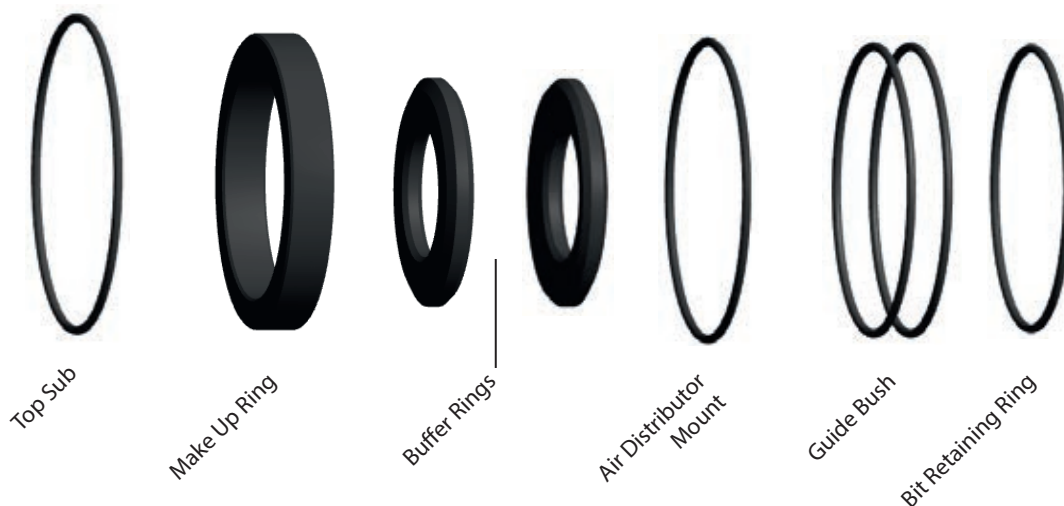
Coated



Uncoated

O Ring / Make Up Kit

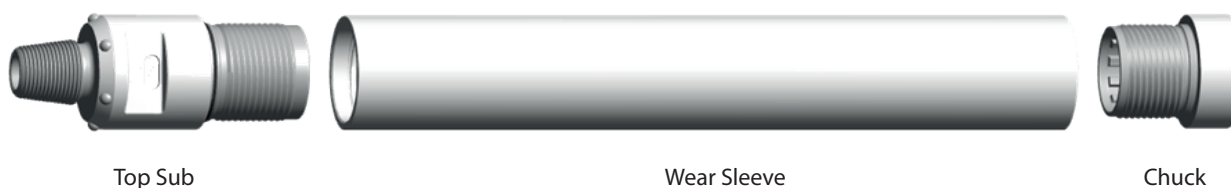
It is recommended that all rubber components are replaced at regular intervals to keep the hammer operating at its optimum. Make Up Kits have all rubber components in a hammer while the O Ring Kit does not include Make Up Ring and Buffer Rings.



Typical Make up Kit for 3 to 6 inch DTH hammers, items may vary depending on the model of hammer.

External Kit

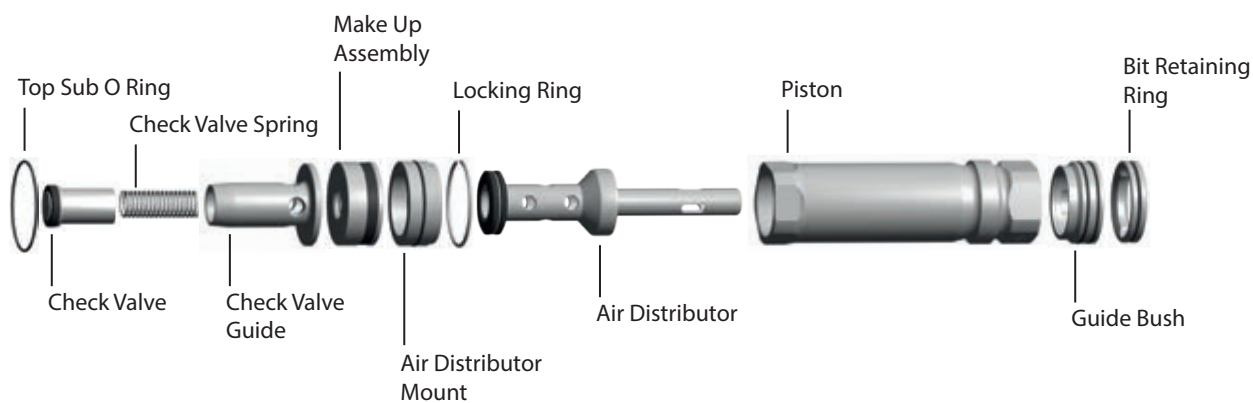
External Rebuild Kits are available for rebuilding hammers used in very abrasive conditions which causes the external components wear while the internal components remain within specification.



Typical External Rebuild Kit for 3 to 6 inch DTH hammers, items may vary depending on the model of hammer.

Internal Kit

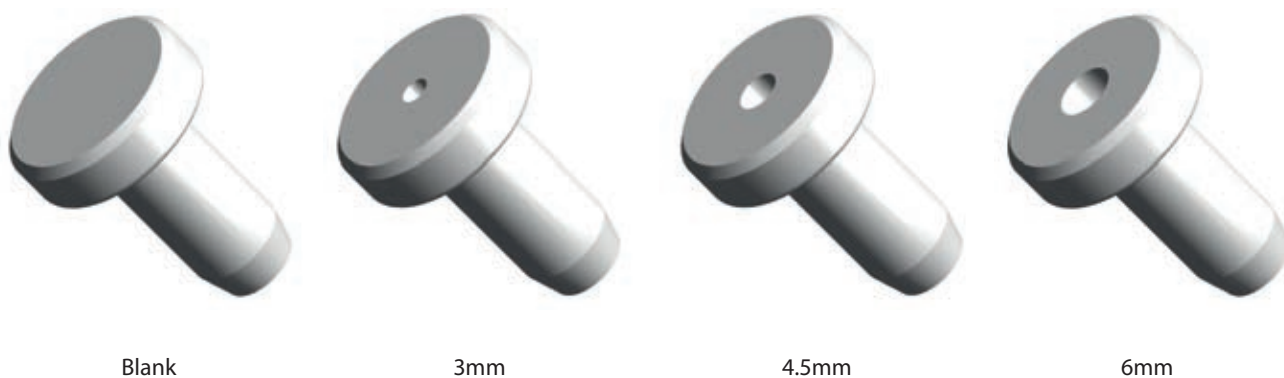
Internal Rebuild Kits are available for rebuilding hammers that have worn internally but the outer components are still in good condition.



Typical Internal Rebuild Kit for 3 to 6 inch DTH hammers, items may vary depending on the model of hammer.

Choke Kit

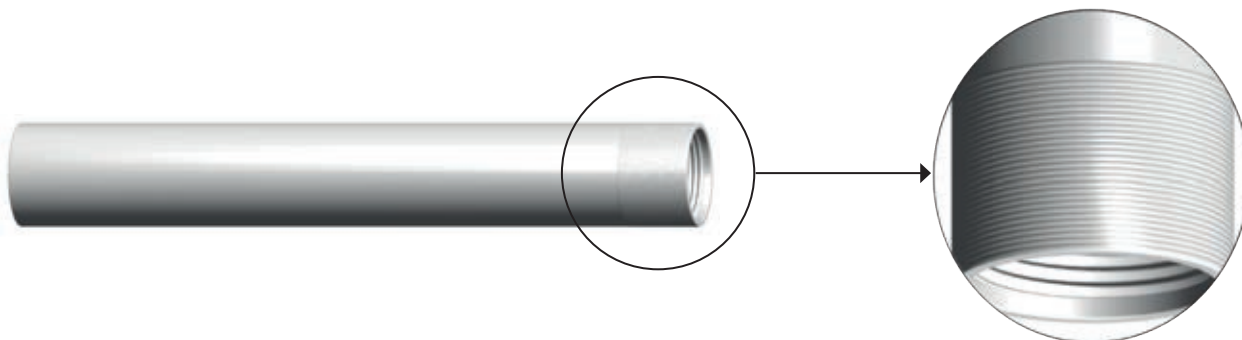
- Some hammers in the range have the ability for adjustment of the volume of air it can pass.
- The larger the orifice size more air is bypassed through the hammer.
- Choke kit consists of 4 interchangeable chokes.
- 1 blank and 3 different sized orifices, 3mm, 4.5mm & 6mm.



RC HAMMERS CODES

Wear Sleeve

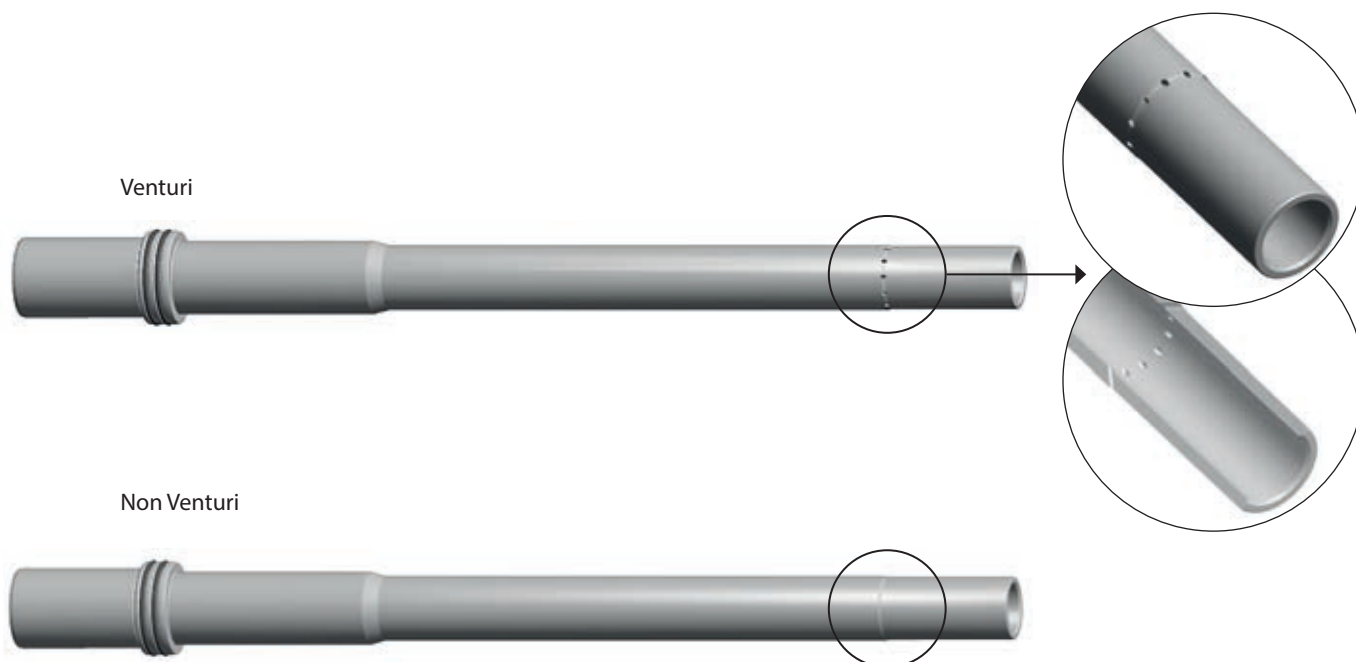
All Robit RC hammers have a coating on the bottom of the Wear Sleeve. This protects the Wear Sleeve from premature wear created by the turbulence of the outside return cuttings.



Sample Tube

With the Sample Tube there are two options, Venturi and Non Venturi.

Venturi Sample Tubes have small holes drilled towards the bottom end. This allows a small amount of air to bleed off into the tube to help lift the returning sample. Non Venturi Sample Tubes are straight tubes with no additional drilled holes.

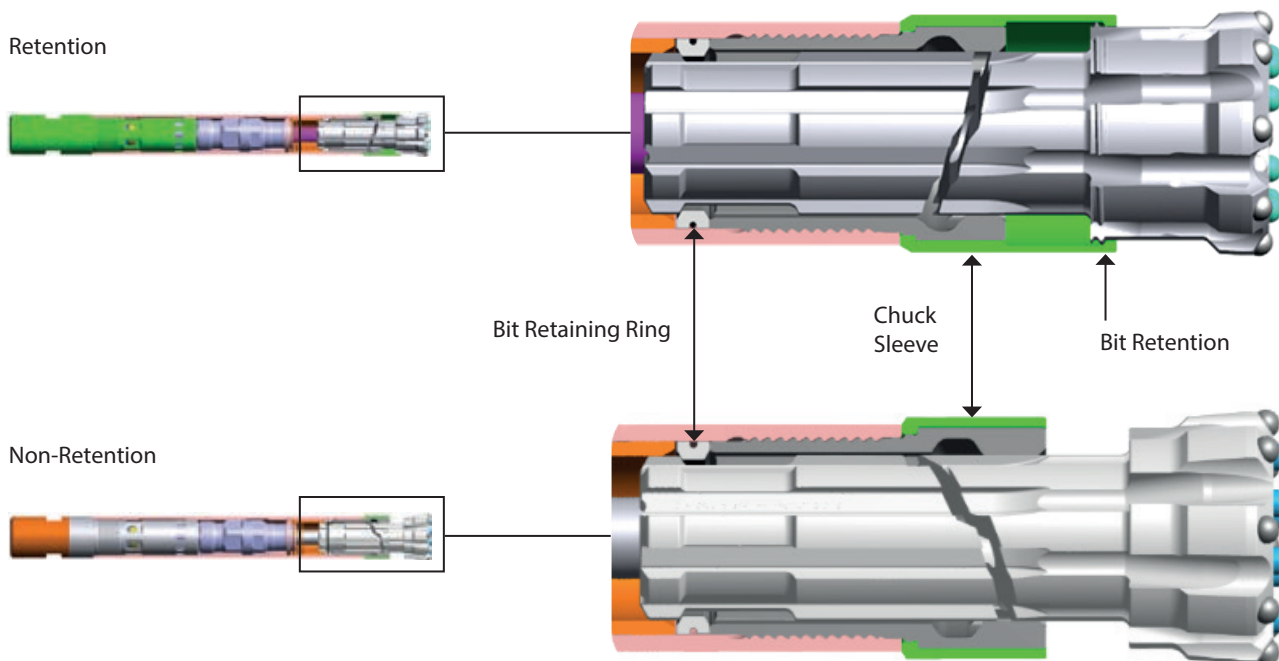
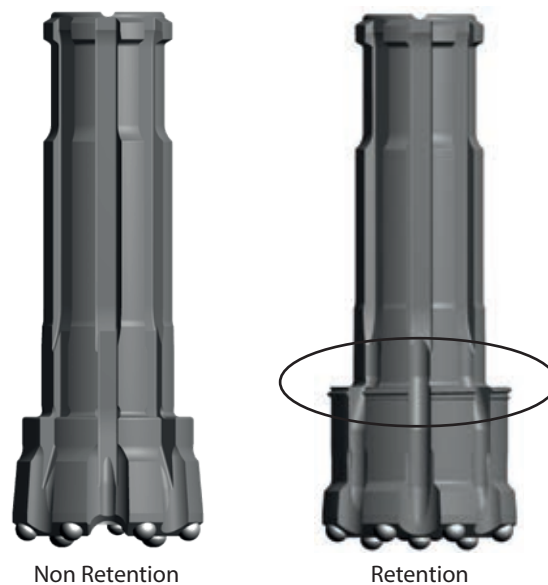


Bit Retention

The Bit Retention system can be described as a bit catching system.

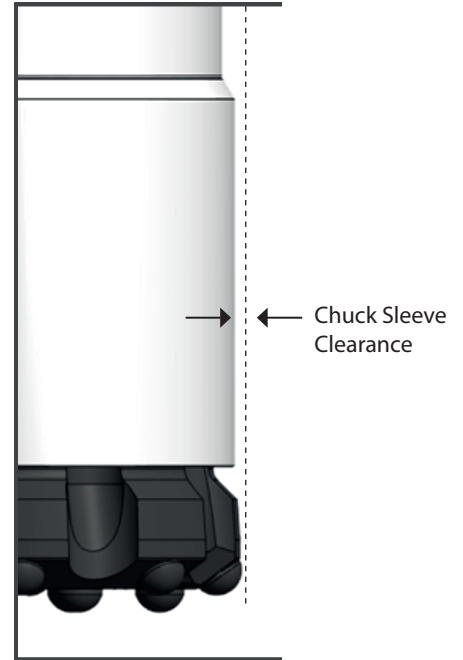
If the drill bit were to break, the Chuck Sleeve will retain the bit head so it will not be lost down the hole. This allows the driller to pull the drillstring out of the ground, replace the broken bit and continue drilling the hole.

Different components between Retention and Non Retention hammers are the Chuck, Chuck Sleeve and Bit. The rest of the hammer assembly remains the same.



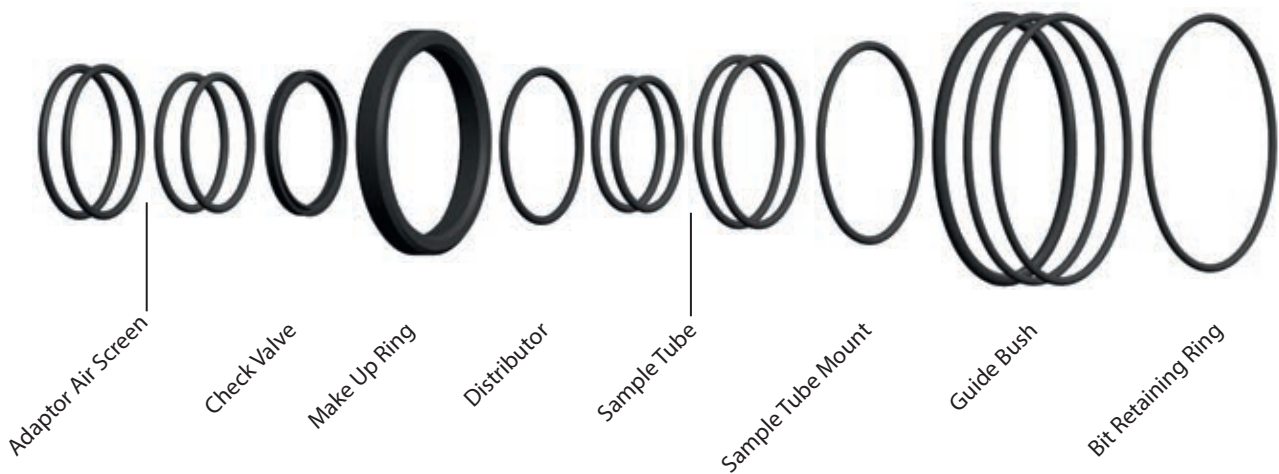
Chuck Sleeve

Chuck Sleeves are used to direct the air to the face of the bit to carry the rock sample to be collected. This is done by almost sealing off the hole behind the drill bit, forcing the air and cuttings up the Sample Tube. Recommended Chuck Sleeve size is 1/16" (1.6mm) smaller than the bit size.



O Ring / Make Up Kits

It is recommended that all rubber components are replaced at regular intervals to keep the hammer operating at its optimum. Make Up Kits have all rubber components in a hammer while the O Ring Kit does not include Check Valve Seal and Make Up Ring.





DTH HAMMERS

GENERAL PURPOSE HAMMERS

| Order code | DTH Hammer | Shank | Backhead thread | Outside diameter | | Length | | Weight [kg] | Piston weight [kg] |
|--------------|------------|-------------------|-----------------|------------------|--------|--------|--------|-------------|--------------------|
| | | | | [mm] | [in] | [mm] | [in] | | |
| BR1 | 1" | BR1 | RD40 | 51 | 2.008 | 709 | 27.913 | 8 | 1 |
| BR2 | 2" | BR2 | RD50 | 62 | 2.441 | 838 | 32.992 | 13 | 1,8 |
| BR33 | 3¼" | BR33 | 2¾ reg pin | 82 | 3.225 | 768 | 30.236 | 25 | 3,3 |
| Hyper 31 | 3" | Mach 33/IR3,5 | 2¾ reg pin | 79,2 | 3.118 | 832 | 32.756 | 22,5 | 4,9 |
| Hyper 41 | 4" | DHD340/SD4 | 2¾ reg pin | 95 | 3.740 | 942 | 37.087 | 35 | 8 |
| Hyper 51 | 5" | DHD 350R/SD5/QL50 | 3½ reg pin | 114,3 | 4.500 | 1060 | 41.732 | 55 | 12,2 |
| Hyper 63 | 6" | DHD360/SD6/QL60 | 3½ reg pin | 143 | 5.630 | 1124 | 44.252 | 90 | 21 |
| Hyper 81 | 8" | DHD380/COP84/SD8 | 4½ reg pin | 184 | 7.244 | 1262 | 49.685 | 158 | 43,9 |
| Hyper 101 | 10" | SD10/N100 | 6% reg pin | 225 | 8.858 | 1575 | 62.008 | 338 | 68 |
| Hyper 121 | 12" | DHD112 | 6% reg pin | 272 | 10.709 | 1857 | 73.110 | 676 | 112 |
| | | N120 | 6% reg pin | 272 | 10.709 | 1889 | 74.370 | 675 | 125 |
| | | SD12 | 6% reg pin | 272 | 10.709 | 1909 | 75.157 | 675 | 125 |
| | | QL120 | 6% reg pin | 286 | 11.260 | 1889 | 74.370 | 763 | 125 |
| Hyper 141 | 14" | N125 | 6% reg pin | 320 | 12.598 | 1941 | 76.417 | 1100 | 188 |
| Hyper 181 | 18" | N180 | 8% reg pin | 406 | 15.984 | 2185 | 86.024 | 1608 | 330 |
| | | SD18 | 8% reg pin | 406 | 15.984 | 2255 | 88.780 | 1608 | 330 |
| | | QL200 | 8% reg pin | 406 | 15.984 | 2147 | 84.528 | 1608 | 330 |
| | | QL200S | 8% reg pin | 406 | 15.984 | 2303 | 90.669 | 1748 | 330 |
| Hyper 241 | 24" | N240 | 8% reg pin | 533 | 20.984 | 2355 | 92.717 | 2575 | 595 |
| Hyper 241 HZ | 24" | N240 | 8% reg pin | 533 | 20.984 | 2331 | 91.772 | 2640 | 585 |
| Hyper 241S | 24S" | XL24/32 | 10" Beco pin | 745 | 29.331 | 2540 | 100 | 4000 | 630 |
| Hyper 331 | 33" | H331 | 10" Beco pin | 736,6 | 29.000 | 2540 | 100 | 5567 | 1552 |



GENERAL PURPOSE HAMMERS

BR1

Hammer 70 mm - 80 mm dia. Holes

The Robit BR1 is a valved type hammer designed for high performance at low operating air pressures. Simplicity of design, ease of service and low air consumption are all factors which combine to make this hammer a robust and reliable drilling tool. The BR1 is available with standard box and pin backheads, RD40 and BR1 threads. However alternative backhead options are available on request. The BR1 hammer incorporates a positive fitting check valve to guard against the ingress of ground water debris.

Component parts

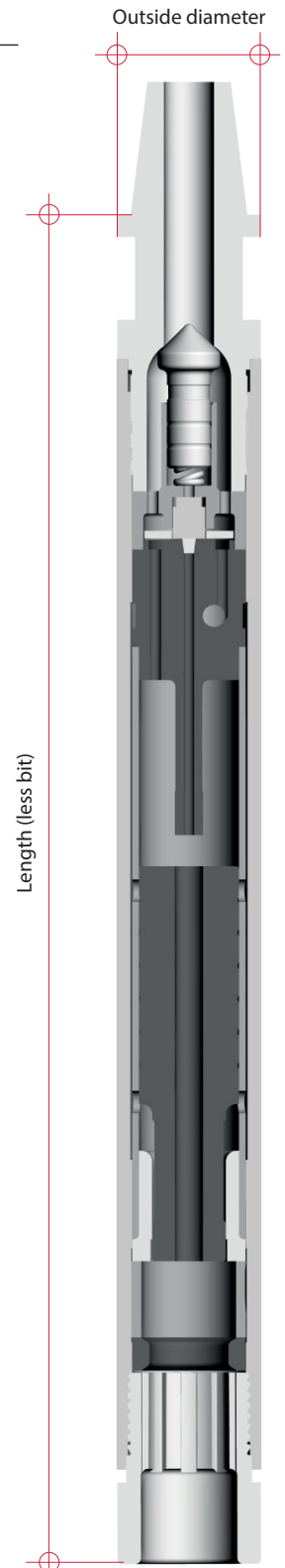
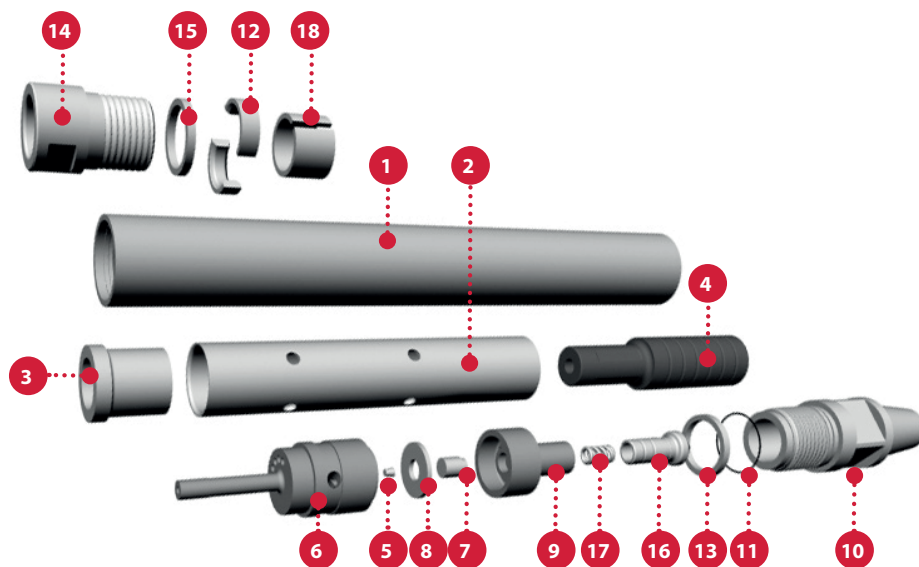
| Ref | Description | Part number |
|-----|------------------------|---------------|
| 1 | Wearsleeve | HSB1S00 |
| 2 | Inner Cylinder | HSB1S01 |
| 3 | Bearing | HSB1S02 |
| 4 | Piston | HSB1S03 |
| 5 | Air Metering Plug | IPP04 |
| 6 | Bevelled Valve Housing | HSB1S04 |
| 7 | Centraliser | HSB1S05 |
| 8 | Disc Valve | HSB1S06 |
| 9 | Valve Chest | HSB1S07 |
| 10 | Backhead | HSB1S3810F |
| 11 | Backhead 'O'Ring | IPBOR06 |
| 12 | Bit Retaining Ring | IPBR03 |
| 13 | Backhead Spacer | IPBS05 |
| 14 | Chuck | HSB1S35ST |
| 15 | Chuck Sealing Ring | IPCS05 |
| 16 | Check Valve | IPCV06 |
| 17 | Check Valve Spring | IPCVS05 |
| 18 | Split Spacer | IPSS07 |
| | Complete Hammer | BR1S01 |

Air consumption (Pressure at Compressor)

| PSI | BAR | m ³ /min | ft ³ /min |
|-----|------|---------------------|----------------------|
| 100 | 6.9 | 0.50 | 17.79 |
| 150 | 10.3 | 0.93 | 32.69 |
| 200 | 13.8 | 1.43 | 70.33 |
| 250 | 17.2 | 1.99 | 105.35 |

Hammer specification

| | Imperial | Metric |
|-------------------|----------|--------|
| Weight (less bit) | 17.6lbs | 8 kg |
| Length (less bit) | 27.9" | 709 mm |
| Outside dia. | 2.0" | 51mm |
| Piston weight | 2.2lbs | 1 kg |



GENERAL PURPOSE HAMMERS

BR2

Hammer 70 mm - 80 mm dia. Holes

The Robit BR2 is a valved type hammer designed for high performance at low operating air pressures. Simplicity of design, ease of service and low air consumption are all factors which combine to make this hammer a robust and reliable drilling tool. The BR2 is available with standard box and pin backheads, RD50 and BR2 threads. However alternative backhead options are available on request. The BR2 hammer incorporates a positive fitting check valve to guard against the ingress of ground water debris.

Component parts

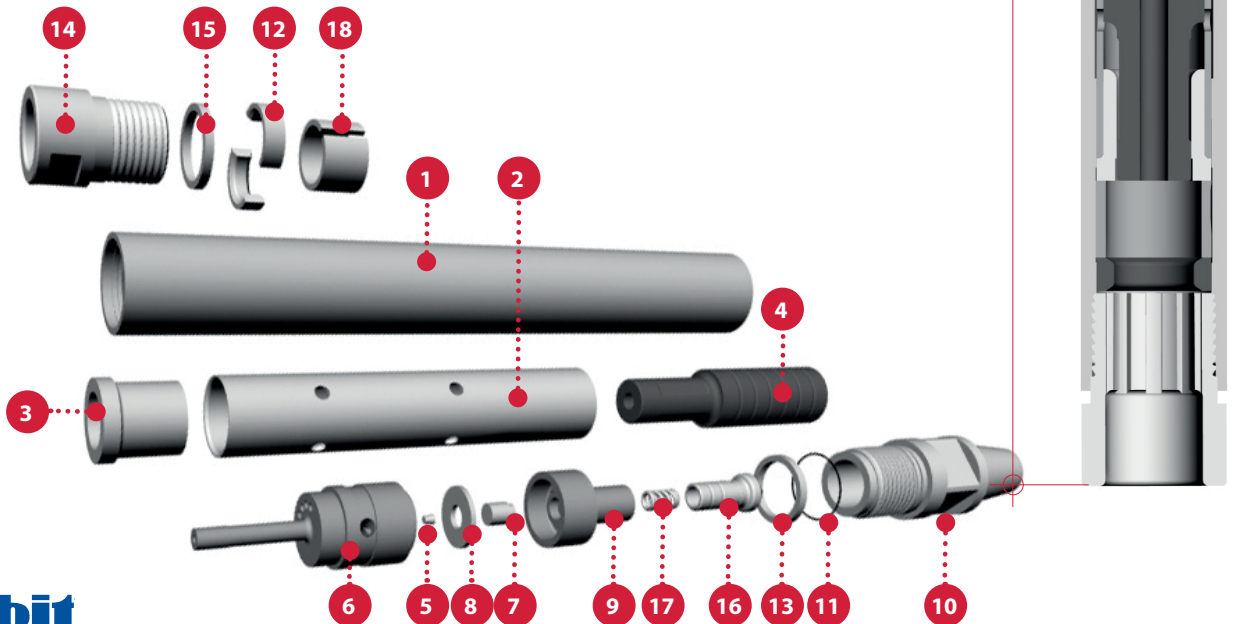
| Ref | Description | Part number |
|-----|------------------------|---------------|
| 1 | Wearsleeve | HSB2S00 |
| 2 | Inner Cylinder | HSB2S01 |
| 3 | Bearing | HSB2S02 |
| 4 | Piston | HSB2S03 |
| 5 | Air Metering Plug | IPP04 |
| 6 | Bevelled Valve Housing | HSB2S04 |
| 7 | Centraliser | HSB2S05 |
| 8 | Disc Valve | HSB2S06 |
| 9 | Valve Chest | HSB2S07 |
| 10 | Backhead | HSB2S3811F |
| 11 | Backhead 'O'Ring | HSB2S14 |
| 12 | Bit Retaining Ring | HSB2S37ST |
| 13 | Backhead Spacer | HSB2S12 |
| 14 | Chuck | HSB2S35ST |
| 15 | Chuck Sealing Ring | HSB2S13 |
| 16 | Check Valve | IPRCV01 |
| 17 | Check Valve Spring | IPRCVS01 |
| 18 | Split Spacer | HSB2S36ST |
| | Complete Hammer | BR2S01 |

Air consumption (Pressure at Compressor)

| PSI | BAR | m ³ /min | ft ³ /min |
|-----|------|---------------------|----------------------|
| 100 | 6.9 | 0.75 | 26.65 |
| 150 | 10.3 | 1.39 | 48.96 |
| 200 | 13.8 | 2.13 | 75.38 |
| 250 | 17.2 | 2.98 | 105.35 |

Hammer specification

| | Imperial | Metric |
|-------------------|----------|--------|
| Weight (less bit) | 28.6 lbs | 13 kg |
| Length (less bit) | 33" | 838 mm |
| Outside dia. | 2.44" | 64 mm |
| Piston weight | 4 lbs | 1.8 kg |



GENERAL PURPOSE HAMMERS

BR33

Hammer 90 mm - 100 mm dia. Holes

The Robit BR33 is valved type hammer designed for high performance at low operating air pressures. Simplicity of design, ease of service and low air consumption are all factors which combine to make this hammer robust and reliable drilling tool. The hammer is available as standard with 2 " API Reg.pin. The BR33 hammer incorporates a positive fitting check valve to guard against the ingress of ground water debris when the air is shut off.

Component parts

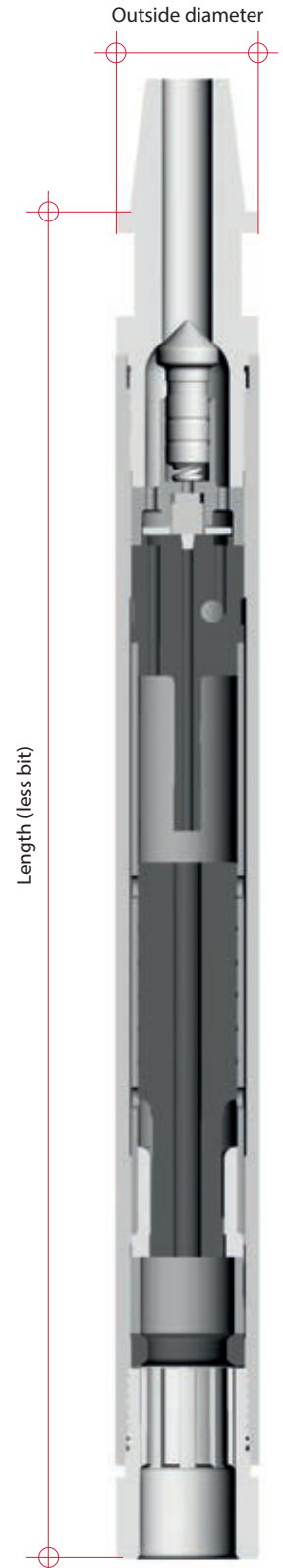
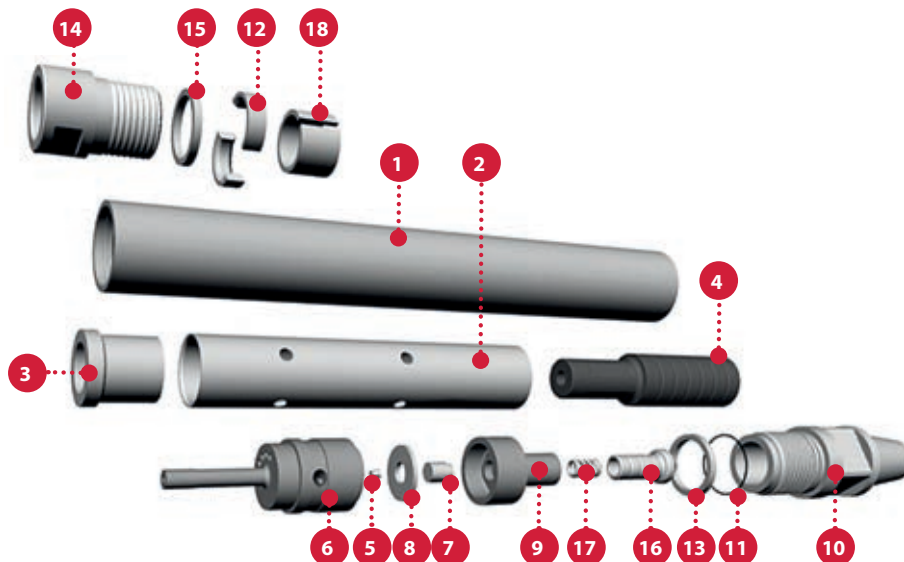
| Ref | Description | Part number |
|-----|------------------------|----------------|
| 1 | Wearsleeve | HSB3300 |
| 2 | Inner Cylinder | HSB3301 |
| 3 | Bearing | HSB3302 |
| 4 | Piston | HSB3303 |
| 5 | Air Metering Plug | IPP03 |
| 6 | Bevelled Valve Housing | HSB3304 |
| 7 | Centraliser | IPC1 |
| 8 | Disc Valve | IPCDV1 |
| 9 | Valve Chest | HSB3307 |
| 10 | Backhead | HSB333801M |
| 11 | Backhead 'O'Ring | IPBOR01 |
| 12 | Bit Retaining Ring | HSB3337018 |
| 13 | Backhead Spacer | IPBS04 |
| 14 | Chuck | HSB3335018 |
| 15 | Chuck Seal | IPBS01 |
| 16 | Check Valve | IPRCV01 |
| 17 | Spring | IPRCVS01 |
| 18 | Split Spacer | HSB3336ST |
| | Complete Hammer | BR33S01 |

Air consumption (Pressure at Compressor)

| PSI | BAR | m ³ /min | ft ³ /min |
|-----|------|---------------------|----------------------|
| 100 | 6.9 | 1.53 | 53.86 |
| 150 | 10.3 | 2.80 | 98.95 |
| 200 | 13.8 | 4.31 | 152.34 |
| 250 | 17.2 | 6.03 | 212.90 |

Hammer specification

| | Imperial | Metric |
|-------------------|----------|--------|
| Weight (less bit) | 55 lbs | 25 kg |
| Length (less bit) | 30.2" | 768 mm |
| Outside dia. | 3.225" | 82 mm |
| Piston weight | 7.3 lbs | 3.3 kg |



GENERAL PURPOSE HAMMERS

HYPER 31

Hammer 90 mm (3½") - 100 mm (4") dia. Holes

The new shorter and highly dependable Hyper 31 hammer is designed for drilling 90 mm - 100 mm (3½" to 4") diameter holes. The simple yet rugged design minimises the amount of components and overall length for ease of maintenance. For optimum performance the Hyper 31 is most effective at medium to high air pressures ranging from 10 to 24 bar (150 to 350 psi). It comes with industry standard 2⅜" api reg. pin backhead and DHD 3.5 bit shank fitting. Alternative bit fitting Mach33 is also available on request.

Component parts

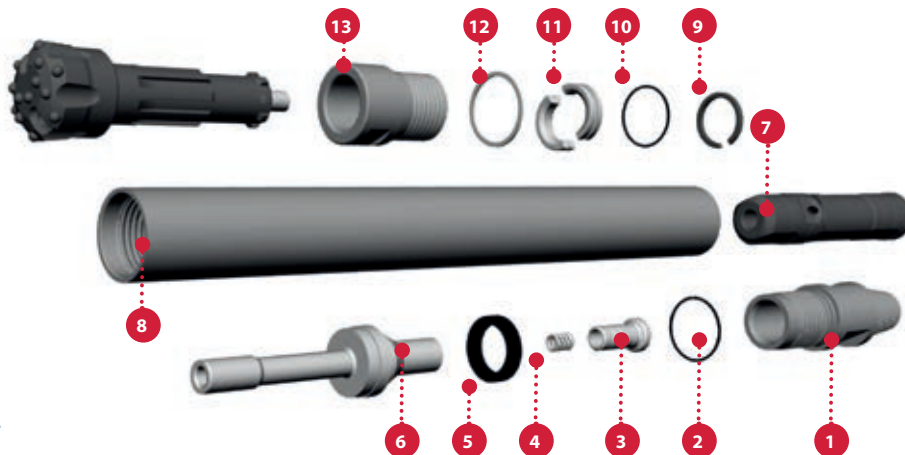
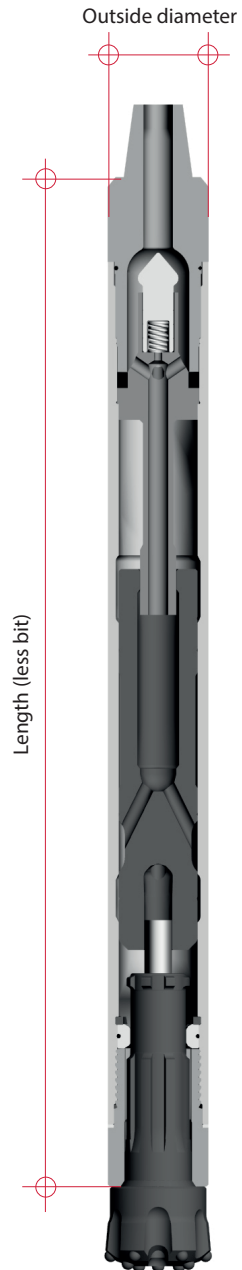
| Ref | Description | Part number |
|-----|--|----------------|
| 1 | Backhead | HSH313801M |
| 2 | Backhead 'O' ring | IPBOR01 |
| 3 | Check valve | IPRCV01 |
| 4 | Check valve spring | IPRCVS01 |
| 5 | Compression ring | HSH3128 |
| 6 | Diverter | HSH3120 |
| 7 | Piston DHD 3.5 | HSH3103040 |
| 8 | Wearsleeve | HSH3100 |
| 9 | Piston retaining ring | HSH3132 |
| 10 | Bit retaining 'O' ring | IPBOR01 |
| 11 | Bit retainer DHD 3.5 | HSH3137040 |
| 12 | Breakout washer | HSH3126 |
| 13 | Chuck DHD 3.5 | HSH3135040 |
| | Service Kit Hyper 31 incl. (2,4,5,12) | HSH31SERVKIT |
| | Repair Kit Hyper 31 incl. (2,3,4,5,9,11,12,13) | HSH31REPKITXL3 |
| | Complete Hammer | BR31H40 |

Air consumption

| PSI | BAR | m ³ /min | ft ³ /min |
|-----|------|---------------------|----------------------|
| 100 | 6.9 | 1.42 | 50.04 |
| 125 | 8.6 | 1.98 | 69.93 |
| 150 | 10.3 | 2.60 | 91.93 |
| 175 | 12.0 | 3.28 | 115.84 |
| 200 | 13.8 | 4.01 | 141.53 |
| 225 | 15.5 | 4.78 | 168.88 |
| 250 | 17.2 | 5.60 | 197.80 |
| 275 | 19.0 | 6.46 | 228.20 |
| 300 | 20.7 | 7.36 | 260.01 |
| 325 | 22.4 | 8.30 | 293.18 |
| 350 | 24.2 | 9.28 | 327.66 |

Hammer specification

| | Imperial | Metric |
|-------------------|-----------|---------|
| Weight (less bit) | 49.5 lbs | 22.5 kg |
| Length (less bit) | 32.75" | 832 mm |
| Outside dia. | 3.12" | 79.2 mm |
| Piston weight | 10.78 lbs | 4.9 kg |



GENERAL PURPOSE HAMMERS

HYPER 41

Hammer 105 mm (4 1/8") - 127 mm (5") dia. Holes

The new shorter and highly dependable Hyper 41 hammer is designed for drilling 105 mm - 127 mm (4 1/8" to 5") diameter holes. The simple yet rugged design minimises the amount of components and overall length for ease of maintenance. For optimum performance the Hyper 41 is most effective at medium to high air pressures ranging from 10 to 24 bar (150 to 350 psi). It comes with industry standard 2 3/8" api reg. pin backhead and DHD340 / COP44 bit shank fitting.

Component parts

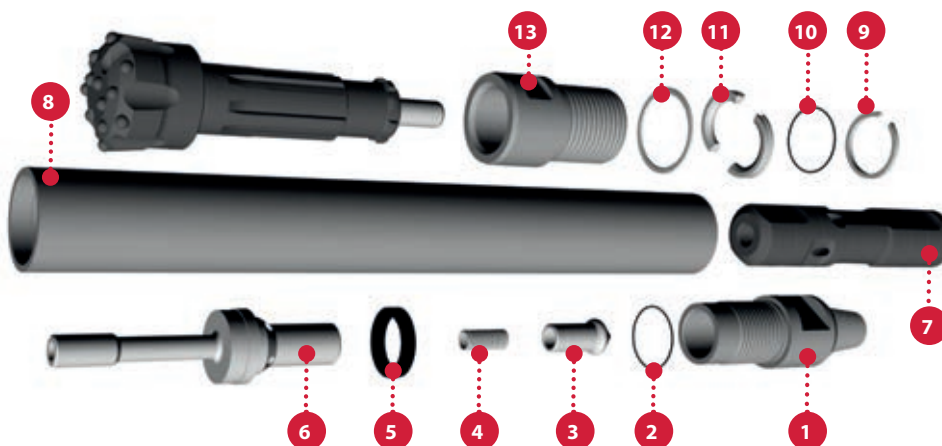
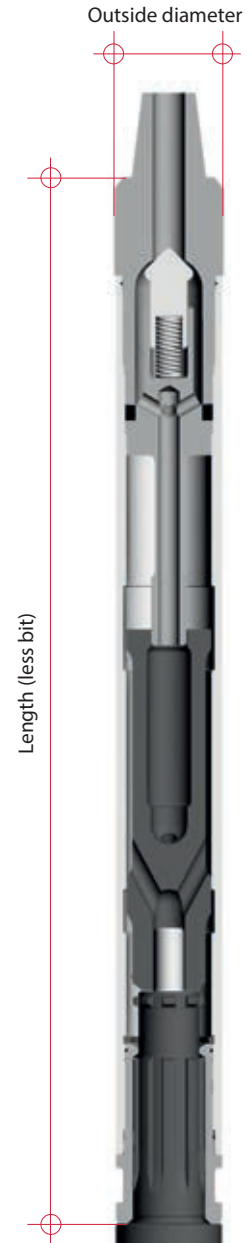
| Ref | Description | Part number |
|-----|---|----------------|
| 1 | Backhead | HSH413801M |
| 2 | Backhead 'O' ring | IPBOR02 |
| 3 | Check valve | IPRCV02 |
| 4 | Check valve spring | IPRCVS02 |
| 5 | Compression ring | HSH4128 |
| 6 | Diverter | HSH4120 |
| 7 | Piston DHD340 | HSH4103 |
| 8 | Wearsleeve | HSH4100 |
| 9 | Piston retaining ring | HSH4132 |
| 10 | Bit retaining 'O' ring | IPBROR01 |
| 11 | Bit retainer DHD340 | HSH4137091 |
| 12 | Breakout washer | HSH4126 |
| 13 | Chuck DHD340 | HSH4135091 |
| | Service Kit Hyper 41 incl. (2,4,5,10,12) | HSH41SERVKIT |
| | Repair Kit Hyper 41 incl. (2,3,4,5,9,10,11,12,13) | HSH41REPKIT |
| | Complete Hammer | BR41H04 |

Air consumption

| PSI | BAR | m ³ /min | ft ³ /min |
|-----|------|---------------------|----------------------|
| 100 | 6.9 | 2.33 | 82.23 |
| 125 | 8.6 | 3.25 | 114.92 |
| 150 | 10.3 | 4.28 | 151.06 |
| 175 | 12.0 | 5.39 | 190.36 |
| 200 | 13.8 | 6.59 | 232.57 |
| 225 | 15.5 | 7.86 | 277.52 |
| 250 | 17.2 | 9.20 | 325.03 |
| 275 | 19.0 | 10.62 | 374.98 |
| 300 | 20.7 | 12.10 | 427.26 |
| 325 | 22.4 | 13.64 | 481.77 |
| 350 | 24.2 | 15.25 | 538.41 |

Hammer specification

| | Imperial | Metric |
|-------------------|----------|--------|
| Weight (less bit) | 77 lbs | 35 kg |
| Length (less bit) | 37.1" | 942 mm |
| Outside dia. | 3.75" | 95 mm |
| Piston weight | 17.6 lbs | 8 kg |



GENERAL PURPOSE HAMMERS

HYPER 51

Hammer 127 mm (5") - 165 mm (6½") dia. Holes

The new shorter and highly dependable Hyper 51 hammer is designed for drilling 127 mm - 165 mm (5" to 6½") diameter holes. The simple yet rugged design minimises the amount of components and overall length for ease of maintenance. For optimum performance the Hyper 51 is most effective at medium to high air pressures ranging from 10 to 24 bar (150 to 350 psi). It comes with industry standard 3½" api reg. pin backhead and DHD350 bit shank fitting. Alternative bit fitting QL50 is also available on request.

Component parts

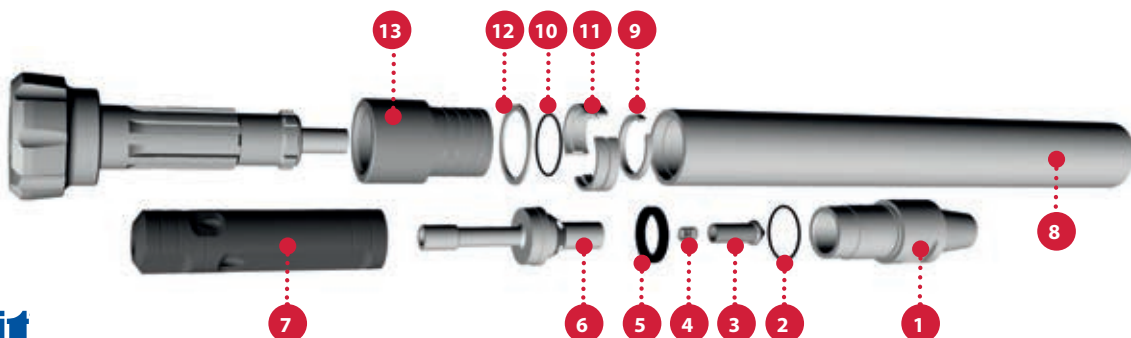
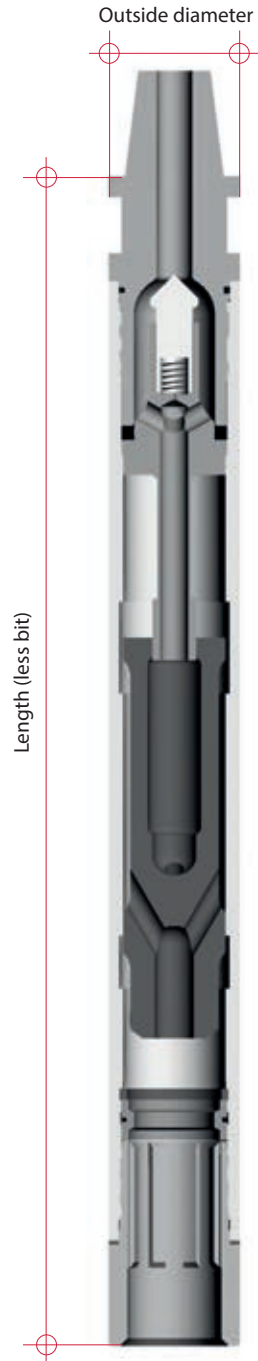
| Ref | Description | Part number |
|---|------------------------|----------------|
| 1 | Backhead | HSH513803M |
| 2 | Backhead 'O' ring | HSH5114 |
| 3 | Check valve | IPRCV03 |
| 4 | Check valve spring | IPRCVS02 |
| 5 | Compression ring | HSH5128 |
| 6 | Diverter | HSH5120 |
| 7 | Piston DHD350 | HSH5103 |
| 8 | Wearsleeve | HSH5100 |
| 9 | Piston retaining ring | HSH5132 |
| 10 | Bit retaining 'O' ring | HSH5137A092 |
| 11 | Bit retainer DHD350 | HSH5137092 |
| 12 | Breakout washer | HSH5126 |
| 13 | Chuck DHD350 | HSH5135092 |
| Service Kit Hyper 51 incl. (2,4,5,10,12) | | HSH51SERVKIT |
| Repair Kit Hyper 51 incl. (2,3,4,5,9,10,11,12,13) | | HSH51REPKIT |
| Complete Hammer | | BR51H01 |

Air consumption

| PSI | BAR | m ³ /min | ft ³ /min |
|-----|------|---------------------|----------------------|
| 100 | 6.9 | 3.29 | 116.22 |
| 125 | 8.6 | 4.60 | 162.43 |
| 150 | 10.3 | 6.05 | 213.51 |
| 175 | 12.0 | 7.62 | 269.06 |
| 200 | 13.8 | 9.31 | 328.73 |
| 225 | 15.5 | 11.11 | 392.25 |
| 250 | 17.2 | 13.01 | 459.41 |
| 275 | 19.0 | 15.01 | 530.02 |
| 300 | 20.7 | 17.10 | 603.91 |
| 325 | 22.4 | 19.28 | 680.95 |
| 350 | 24.2 | 21.55 | 761.01 |

Hammer specification

| | Imperial | Metric |
|-------------------|----------|----------|
| Weight (less bit) | 121 lbs | 55 kg |
| Length (less bit) | 41.75" | 1060 mm |
| Outside dia. | 4.50" | 114.3 mm |
| Piston weight | 26.8 lbs | 12.2 kg |



GENERAL PURPOSE HAMMERS

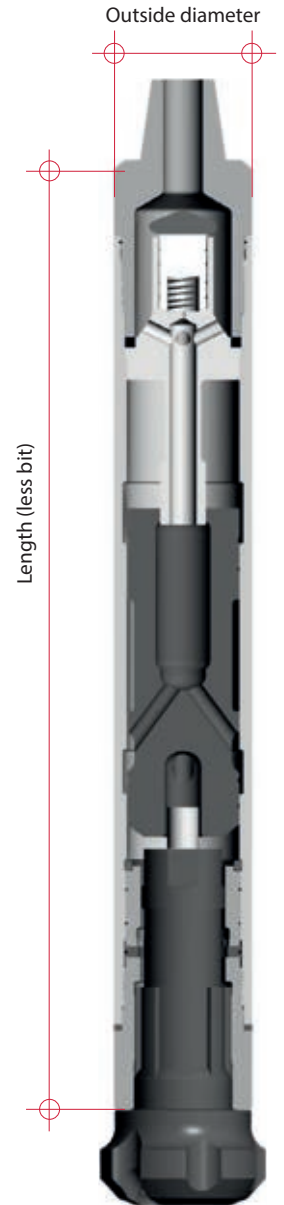
HYPER 63

Hammer 152 mm (6") - 216 mm (8½") dia. Holes

The new shorter and highly dependable Hyper 63 hammer is designed for drilling 152 mm - 216 mm (6" to 8½") diameter holes. The simple yet rugged design minimises the amount of components and overall length for ease of maintenance. For optimum performance the Hyper 63 is most effective at medium to high air pressures ranging from 10 to 24 bar (150 to 350 psi). It comes with industry standard 3½" api reg. pin backhead and DHD360 bit shank fitting. Alternative bit fitting SD6 is also available on request.

Component parts

| Ref | Description | Part number |
|-----|---|------------------|
| 1 | Backhead | HSH633803M |
| 2 | Backhead 'O' ring | HSH6114 |
| 3 | Check valve | IPRCV04 |
| 4 | Check valve spring | IPRCVS04 |
| 5 | Compression ring | HSH6328 |
| 6 | Diverter | HSH6320 |
| 7 | Piston DHD360 | HSH6103 |
| 8 | Wearsleeve | HSH6300 |
| 9 | Piston retaining ring | HSH6132 |
| 10 | Guide bush 'O' ring (2) | HSH638A |
| 11 | Guide bush | HSH6386 |
| 12 | Bit retaining 'O' ring | HSH6337A093 |
| 13 | Bit retainer DHD360 | HSH6337093 |
| 14 | Breakout washer | HSH6326 |
| 15 | Chuck DHD360 | HSH6335093 |
| | Service Kit Hyper 63 incl. (2,4,5,12,14) | HSH63SERVKIT |
| | Repair Kit Hyper 63 incl. (2,3,4,5,9,12,13,14,15) | HSH63REPKIT360 |
| | Complete Hammer | BR63H01GA |

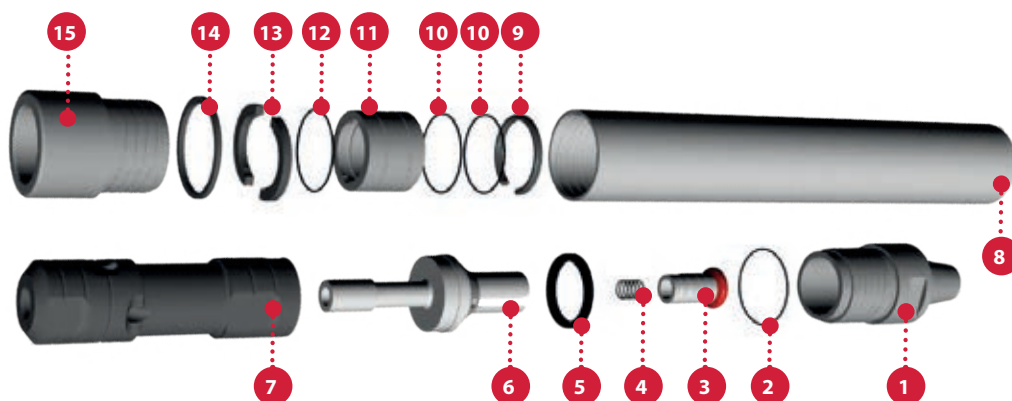


Air consumption

| PSI | BAR | m ³ /min | ft ³ /min |
|-----|------|---------------------|----------------------|
| 100 | 6.9 | 5.22 | 184.45 |
| 125 | 8.6 | 7.30 | 257.77 |
| 150 | 10.3 | 9.60 | 338.85 |
| 175 | 12.0 | 12.09 | 427.00 |
| 200 | 13.8 | 14.77 | 521.70 |
| 225 | 15.5 | 17.63 | 622.51 |
| 250 | 17.2 | 20.65 | 729.09 |
| 275 | 19.0 | 23.82 | 841.15 |
| 300 | 20.7 | 27.14 | 958.42 |
| 325 | 22.4 | 30.60 | 1080.68 |
| 350 | 24.2 | 34.20 | 1207.74 |

Hammer specification

| | Imperial | Metric |
|-------------------|----------|---------|
| Weight (less bit) | 200 lbs | 91 kg |
| Length (less bit) | 43.50" | 1104 mm |
| Outside dia. | 5.62" | 142 mm |
| Piston weight | 49.0 lbs | 22.3 kg |



GENERAL PURPOSE HAMMERS

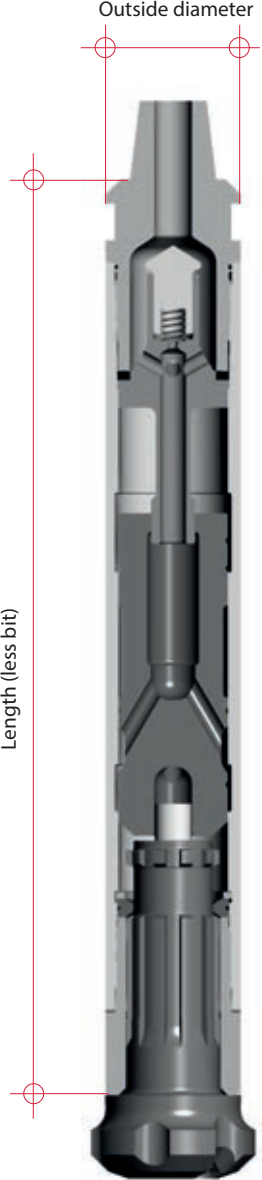
HYPER 81

Hammer 203 mm (8") - 254 mm (10") dia. Holes

The new shorter and highly dependable Hyper 81 hammer is designed for drilling 203 mm - 254 mm (8" to 10") diameter holes. The simple yet rugged design minimises the amount of components and overall length for ease of maintenance. For optimum performance the Hyper 81 is most effective at medium to high air pressures ranging from 10 to 24 bar (150 to 350 psi). It comes with industry standard 4½" api reg. pin backhead and DHD380 bit shank fitting. Alternate bit fittings SD8 and QL80 are also available on request.

Component parts

| Ref | Description | Part number |
|-----|---|----------------|
| 1 | Backhead | HSH813804M |
| 2 | Backhead 'O' ring | HSH8114 |
| 3 | Check valve | IPRCV05 |
| 4 | Check valve spring | IPRCVS04 |
| 5 | Compression ring | HSH8128 |
| 6 | Diverter | HSH8120 |
| 7 | Piston DHD380 | HSH8103 |
| 8 | Wearsleeve | HSH8100 |
| 9 | Piston retaining ring | HSH8132 |
| 10 | Bit retaining 'O' ring | HSH8137A094 |
| 11 | Bit retainer DHD380 | HSH8137094 |
| 12 | Breakout washer | HSH8126 |
| 13 | Chuck DHD380 | HSH8135094 |
| | Service Kit Hyper 81 incl. (2,4,5,10,12) | HSH81SERVKIT |
| | Repair Kit Hyper 81 incl. (2,3,4,5,9,10,11,12,13) | HSH81REPKIT |
| | Complete Hammer | BR81H01 |



Air consumption (Pressure at Compressor)

| PSI | BAR | m ³ /min | ft ³ /min |
|-----|------|---------------------|----------------------|
| 100 | 6.9 | 7.48 | 264.18 |
| 125 | 8.6 | 10.45 | 369.20 |
| 150 | 10.3 | 13.74 | 485.32 |
| 175 | 12.0 | 17.32 | 611.58 |
| 200 | 13.8 | 21.16 | 747.21 |
| 225 | 15.5 | 25.25 | 891.60 |
| 250 | 17.2 | 29.57 | 1044.25 |
| 275 | 19.0 | 34.12 | 1204.74 |
| 300 | 20.7 | 38.87 | 1372.71 |
| 325 | 22.4 | 43.83 | 1547.82 |
| 350 | 24.2 | 48.98 | 1729.81 |

Hammer specification

| | Imperial | Metric |
|-------------------|----------|---------|
| Weight (less bit) | 348 lbs | 158 kg |
| Length (less bit) | 49.69" | 1262 mm |
| Outside dia. | 7.25" | 184 mm |
| Piston weight | 96.6 lbs | 43.9 kg |



GENERAL PURPOSE HAMMERS

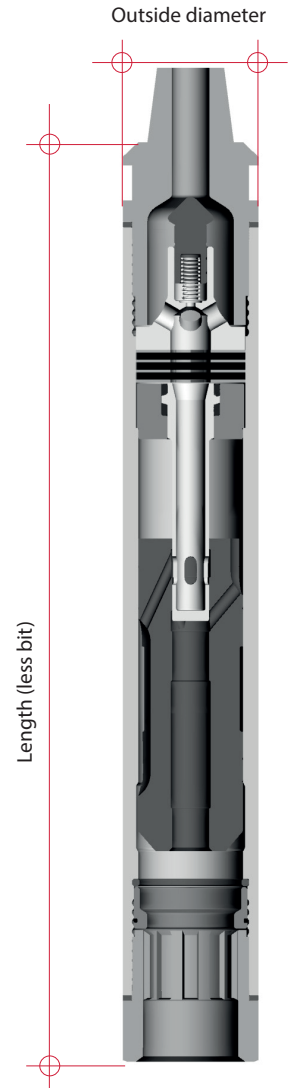
HYPER 101

Hammer 254 mm (10") - 305 mm (12") dia. Holes

The Hyper 101 Hammer is designed to operate over a wide range of operating air pressures. A 65/8" API reg. pin backhead is supplied as standard. The Hyper 101 is fitted with a positive seating water check valve and is supplied as standard fitted with a solid choke. The Hyper 101 is designed to accept button bits with a N100 shank. However, the Hyper 101 can be supplied to accept the SD10 type of button bit.

Component parts

| Ref | Description | Part number |
|-----|--|-----------------|
| 1 | Backhead | HSH1013880M |
| 2 | Check valve | HSH10108 |
| 3 | Check valve spring | HSH10110 |
| 4 | Diverter | HSH10120 |
| 5 | Compression buffer | HSH10128 |
| 6 | Control tube holder | HSH10131 |
| 7 | Control tube buffers (2) | HSH10129 |
| 8 | Control tube | HSH10130 |
| 9 | Piston | HSH10103053 |
| 10 | Wearsleeve | HSH10100 |
| 11 | Piston retaining ring | HSH10132 |
| 12 | Bit retaining ring | HSH10137053 |
| 13 | Bit retaining ring 'O' ring | HSH10137A046 |
| 14 | Chuck | HSH10135053 |
| 15 | Breakout washer | HSH10126 |
| | Service Kit Hyper 101 incl.(3,5,7,13,15) | HSH101SERVKIT |
| | Repair Kit Hyper 101 incl.(2,3,5,7,11,12,13,14,15) | HSH101REPKIT |
| | Complete Hammer | BR101H01 |



Air consumption (Pressure at Compressor)

| PSI | BAR | m ³ /min | ft ³ /min |
|-----|------|---------------------|----------------------|
| 100 | 6.9 | 10.36 | 365.70 |
| 125 | 8.6 | 14.47 | 511.08 |
| 150 | 10.3 | 19.02 | 671.83 |
| 175 | 12.0 | 23.97 | 846.61 |
| 200 | 13.8 | 29.29 | 1034.35 |
| 225 | 15.5 | 34.95 | 1234.24 |
| 250 | 17.2 | 40.93 | 1445.55 |
| 275 | 19.0 | 47.23 | 1667.72 |
| 300 | 20.7 | 53.81 | 1900.23 |

Hammer specification

| | Imperial | Metric |
|-------------------|----------|---------|
| Weight (less bit) | 745 lbs | 338 kg |
| Length (less bit) | 62" | 1575 mm |
| Outside dia. | 8.86" | 225 mm |
| Piston weight | 150 lbs | 68 kg |



GENERAL PURPOSE HAMMERS

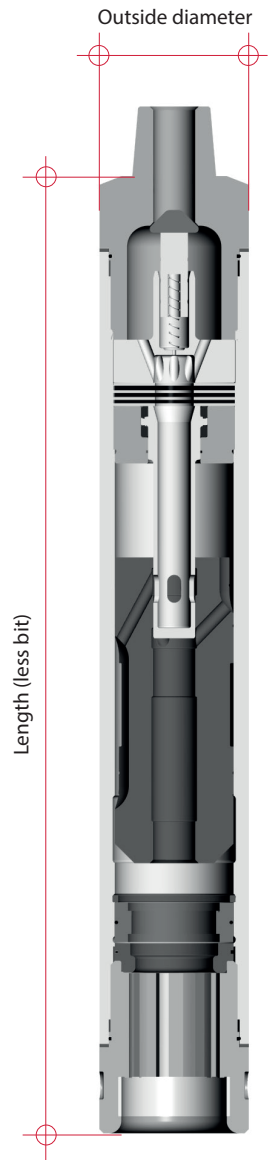
HYPER 121

Hammer 302 mm (11⁷/₈") - 445 mm (17¹/₂") dia. Holes

The Hyper 121 Hammer is designed to operate over a wide range of operating air pressures. A 6⁵/₈" API reg. pin backhead is supplied as standard. The Hyper 121 is fitted with a positive seating water check valve and is supplied as standard fitted with a solid choke. In addition to the standard N120 button bit, the hammer can easily be modified to accept button bits with Mission SD12 and Ingersoll Rand DHD112 shank design.

Component parts

| Ref | Description | Part number |
|-----|---|-----------------|
| 1 | Backhead | HSH1213880M |
| 2 | Backhead / Chuck 'O' Ring (2) | HSH12114 |
| 3 | Check Valve | HSH12108 |
| 4 | Check Valve Spring | HSH12110 |
| 5 | Diverter | HSH12120 |
| 6 | Compression Buffer | HSH12128 |
| 7 | Control Tube Holder | HSH12131 |
| 8 | Control Tube Buffers (2) | HSH12129 |
| 9 | Control Tube 'O' Ring | HSH12130A |
| 10 | Control Tube | HSH12130 |
| 11 | Piston | HSH12103050 |
| 12 | Wearsleeve | HSH12100 |
| 13 | Piston Retaining Rings (2) | HSH12132 |
| 14 | Bit Bearing | HSH12187 |
| 15 | Bit Retainer (pair) | HSH12137050 |
| 16 | Bit Retainer 'O' Ring | HSH12137AST |
| 17 | Chuck | HSH12135050 |
| 18 | Chuck Bearing | HSH12135050BE |
| 19 | Breakout washer backhead | HSH12126 |
| 20 | Breakout Washer chuck | HSH12125 |
| | Service Kit Hyper 121 incl. (2,4,6,8,9,16,19,20) | HSH121SERVKIT |
| | Repair Kit Hyper 121 incl.(2,3,4,6,8,9,13,15,16,17,19,20) | HSH121REPKIT |
| | Complete Hammer | BR121H01 |

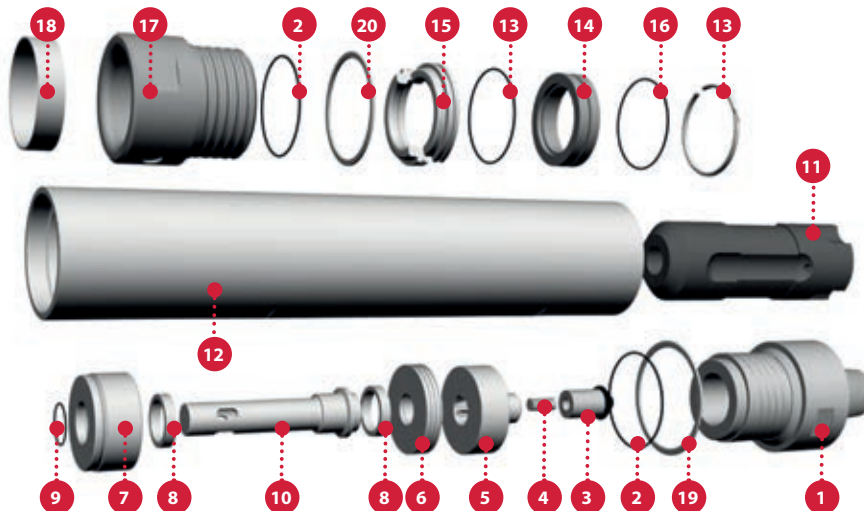


Air consumption (Pressure at Compressor)

| PSI | BAR | m ³ /min | ft ³ /min |
|-----|------|---------------------|----------------------|
| 100 | 6.9 | 16.8 | 592 |
| 150 | 10.3 | 30.8 | 1087 |
| 200 | 13.8 | 47.4 | 1674 |
| 250 | 17.2 | 66.2 | 2338 |

Hammer specification

| | Imperial | Metric |
|-------------------|----------|---------|
| Weight (less bit) | 1487 lbs | 675 kg |
| Length (less bit) | 74.4" | 1889 mm |
| Outside dia. | 10.7" | 272 mm |
| Piston weight | 275 lbs | 125 kg |



GENERAL PURPOSE HAMMERS

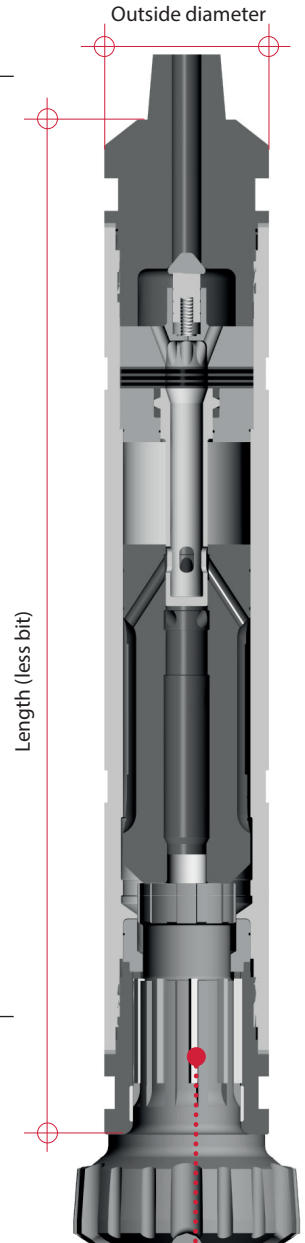
HYPER 141

Hammer 350 mm (13³/₄") - 508 mm (20") dia. Holes

The Robit Hyper 141 hammer is a valveless DTH Hammer designed to operate over a wide range of operating pressures. The Hyper 141 is supplied with a 6⁵/₈" API regular pin backhead as standard. The Hyper 141 is fitted with a positive seating Water Check Valve and is supplied as standard, fitted with a Solid Choke. The Hyper 141 is primarily designed to be used with the Numa 125, but other shanks will be considered on request.

Component parts

| Ref | Description | Part number |
|-----|---|-----------------|
| 1 | Backhead | HSH1413880M |
| 2 | Check Valve | HSH12108 |
| 3 | Check Valve Spring | HSH12110 |
| 4 | Diverterw | HSH14120 |
| 5 | Compression Buffer | HSH14128 |
| 6 | Control Tube Holder | HSH14131 |
| 7 | Control Tube Buffers (2) | HSH14129 |
| 8 | Control Tube | HSH14130 |
| 9 | Control Tube "O" Ring | HSH14130A |
| 10 | Piston | HSH14103125 |
| 11 | Wearsleeve | HSH14100 |
| 12 | Bit Retainer (pair) | HSH14137125 |
| 13 | Bit Retainer "O" Ring | HSH14137AST |
| 14 | Chuck (N125 C/W drive plate slot) | HSH14135125 |
| 15 | Chuck Bearing | HSH14135125BE |
| 16 | Breakout Washer (chuck) | HSH14126 |
| 17 | Breakout Washer (Backhead) | HSH14126 |
| 18 | Drive Plate N125 (10) | DP125 |
| | Service Kit Hyper 141 incl. (4,5,7,9,13,16) | HSH141SERVKIT |
| | Repair Kit Hyper 141 incl. (2,3,5,7,9,12,13,14,15,16) | HSH141REPKIT |
| | Complete Hammer | BR141H01 |

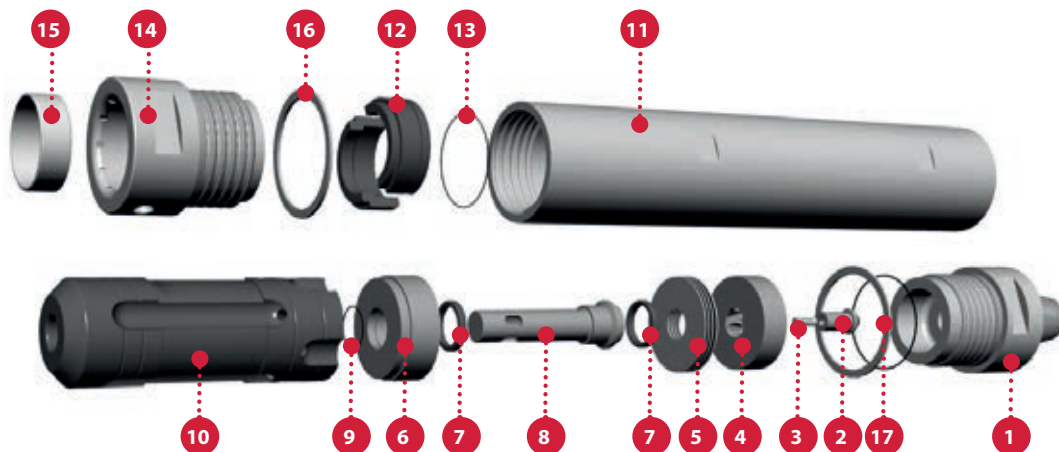


Air consumption (Pressure at Compressor)

| PSI | BAR | m ³ /min | ft ³ /min |
|-----|------|---------------------|----------------------|
| 100 | 6.9 | 20.2 | 715 |
| 150 | 10.3 | 37.1 | 1311 |
| 200 | 13.8 | 57.1 | 2018 |
| 250 | 17.2 | 80.0 | 2821 |

Hammer specification

| | Imperial | Metric |
|-------------------|----------|---------|
| Weight (less bit) | 2420 lbs | 1100 kg |
| Length (less bit) | 76.4" | 1941 mm |
| Outside dia. | 12.6" | 320 mm |
| Piston weight | 414 lbs | 188 kg |



GENERAL PURPOSE HAMMERS

HYPER 181

Hammer 458 mm (18") - 660 mm (26") dia. Holes

The Robit Hyper 181 hammer is a valveless DTH Hammer designed to operate efficiently at pressures ranging from 7 to 15.5 bar (100 225 psi). The Hyper 181 is supplied with a 8⁵/₈" api reg pin backhead as standard but a 8⁵/₈" api reg box backhead can be supplied. In addition to the standard Hyper 181 N180 button bits, the Hyper 181 can easily be modified to accept bits with Mission SD18 and QL200 shank design by simply replacing the Chuck, Piston, Bit retainer and Bearing.

Component parts

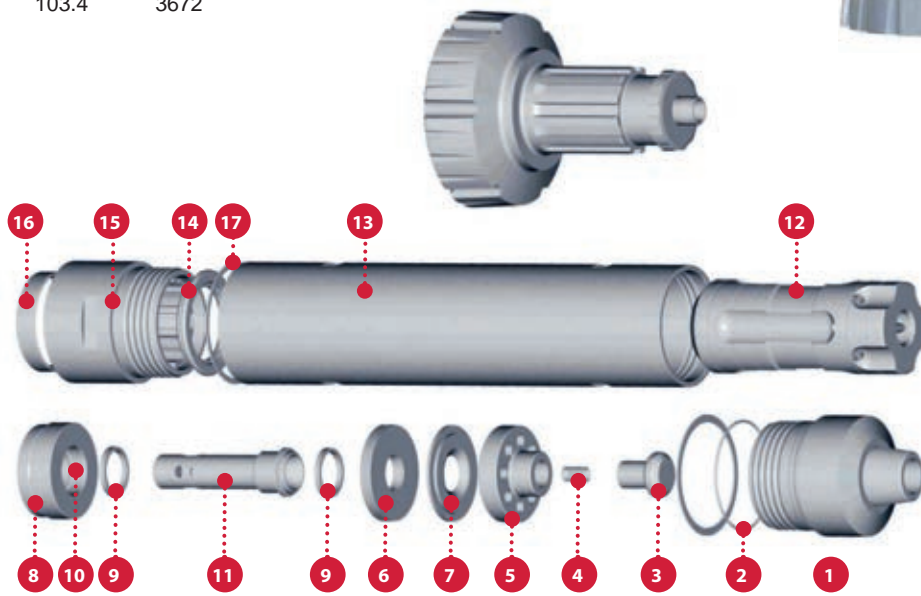
| Ref | Description | Part number |
|-----|---|-----------------|
| 1 | Backhead | HSH1813882M |
| 2 | Backhead 'O' Ring | HSH18114 |
| 3 | Check Valve | HSH18108 |
| 4 | Check Valve Spring | HSH18110 |
| 5 | Valve Chest | HSH18107 |
| 6 | Compression Buffer | HSH18128 |
| 7 | Buffer Cover | HSH18173 |
| 8 | Tube Holder | HSH18131 |
| 9 | Tube Buffers (2) | HSH18129 |
| 10 | Tube 'O' Ring | HSH18130A |
| 11 | Control Tube | HSH18130 |
| 12 | Piston | HSH18103180 |
| 13 | Wearsleeve | HSH18100 |
| 14 | Bit Retaining Ring | HSH18137180 |
| 15 | Chuck | HSH18135180 |
| 16 | Chuck Bearing | HSH18135180BE |
| 17 | Breakout Washer | HSH18126 |
| | Service Kit Hyper 181 incl. (2,4,6,9,10,17) | HSH181SERVKIT |
| | Repair Kit Hyper 181 incl. (2,3,4,6,9,10,14,15,16,17) | HSH181REPKIT |
| | Complete Hammer | BR181H01 |

Air consumption (Pressure at Compressor)

| PSI | BAR | m ³ /min | ft ³ /min |
|-----|------|---------------------|----------------------|
| 100 | 6.9 | 30.8 | 1088 |
| 125 | 8.6 | 43.1 | 1520 |
| 150 | 10.3 | 56.6 | 1999 |
| 175 | 12.0 | 71.3 | 2518 |
| 200 | 13.8 | 87.1 | 3077 |
| 225 | 15.5 | 103.4 | 3672 |

Hammer specification

| | Imperial | Metric |
|-------------------|----------|---------|
| Weight (less bit) | 3545 lbs | 1608 kg |
| Length (less bit) | 86" | 2185 mm |
| Outside dia. | 16" | 406 mm |
| Piston weight | 730 lbs | 330 kg |



GENERAL PURPOSE HAMMERS

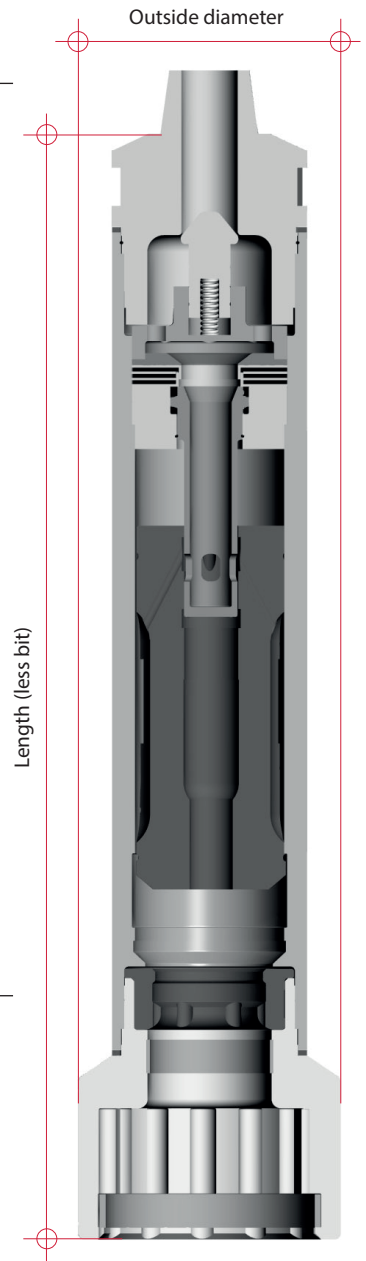
HYPER 181S

Hammer 724 mm (28½") - 864 mm (34") dia. Holes

The Robit Hyper 181S hammer is a valveless DTH hammer designed to operate efficiently at pressures ranging from 7 to 15.5 bar (100 - 225 psi). The Hyper 181 is supplied with a 8⁵/₈" API regular pin backhead as standard but a 8⁵/₈" API regular box backhead can be supplied.

Component parts

| Ref | Description | Part number |
|-----|---|-----------------|
| 1 | Backhead 8 ⁵ / ₈ " Reg. Pin | HSH1813882M |
| 2 | Backhead 'O' Ring | HSH18114 |
| 3 | Check Valve | HSH18108 |
| 4 | Check Valve Spring | HSH18110 |
| 5 | Valve Chest | HSH18107 |
| 6 | Compression Buffer | HSH18128 |
| 7 | Buffer Cover | HSH18173 |
| 8 | Tube Holder | HSH18131 |
| 9 | Tube Buffers (2) | HSH18129 |
| 10 | Tube 'O' Ring | HSH18130A |
| 11 | Control Tube | HSH18130 |
| 12 | Piston | HSH18103180 |
| 13 | Wearsleeve | HSH18100 |
| 14 | Bit Retaining Ring | HSH18137101 |
| 15 | Chuck | HSH18135101 |
| 16 | Chuck Bearing | HSH18135101BE |
| 17 | Chuck Bearing | HSH18135101BEAC |
| 18 | Breakout Washers (2) | HSH18126 |
| | Service Kit Hyper 141 incl. (4,5,7,9,13,16) | HSH141SERVKIT |
| | Repair Kit Hyper 141 incl. (2,3,5,7,9,12,13,14,15,16) | HSH141REPKIT |
| | Complete Hammer | BR181H04 |



Air consumption (Pressure at Compressor)

| PSI | BAR | m ³ /min | ft ³ /min |
|-----|------|---------------------|----------------------|
| 100 | 6.9 | 31.1 | 1097 |
| 150 | 10.3 | 57.1 | 2016 |
| 175 | 12.0 | 71.9 | 2541 |
| 200 | 13.8 | 87.9 | 3105 |
| 225 | 15.5 | 104.9 | 3705 |

Hammer specification

| | Imperial | Metric |
|-------------------|----------|---------|
| Weight (less bit) | 3846 lbs | 1748 kg |
| Length (less bit) | 90.66" | 2303 mm |
| Outside dia. | 16" | 406 mm |
| Piston weight | 730 lbs | 330 kg |



GENERAL PURPOSE HAMMERS

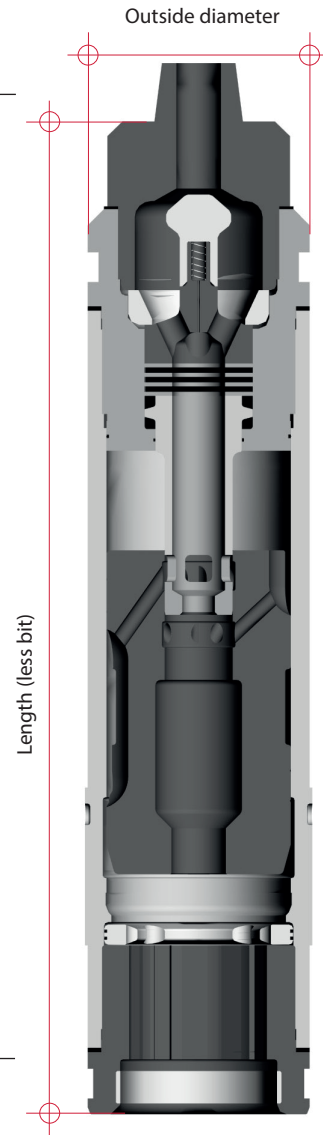
HYPER 241

Hammer 610 mm (24") - 864 mm (34") dia. Holes

The Robit Hyper 241 hammer is a valveless DTH hammer designed to operate efficiently at pressures ranging from 7 bar to 15 bar (100 psi to 225 psi). The hammer is supplied with an 8⁵/₈" api reg pin Backhead as standard or an 8⁵/₈" api reg box thread can be supplied also. A positive seating check valve is fitted and the Hyper 241 is supplied to suit N240 shank type Button Bits as standard.

Component parts

| Ref | Description | Part number |
|-----|--|-----------------|
| 1 | Backhead Adaptor 8 ⁵ / ₈ " reg Pin | HSH2413682M |
| 2 | Backhead Adaptor Breakout Washer | HSH24127 |
| 3 | Backhead | HSH24138 |
| 4 | Check Valve | HSH18108 |
| 5 | Check Valve Spring | HSH24110 |
| 6 | Valve Chest | HSH24104 |
| 7 | Compression Buffer | HSH24128 |
| 8 | Backhead "O" Ring | HSH24114 |
| 9 | Internal Backhead "O" Ring | HSH24114A |
| 10 | Tube Buffers (2) | HSH24129 |
| 11 | Control Tube | HSH24130 |
| 12 | Piston | HSH24103240 |
| 13 | Bit Retaining Ring | HSH24137240 |
| 14 | Bit Retainer "O" Ring (2) | HSH24137A240 |
| 15 | Chuck | HSH24135240 |
| 16 | Chuck Bearing | HSH24135240BE |
| 17 | Breakout Washer Backhead & Chuck | HSH24125 |
| 18 | Internal Washer Adaptor | HSH24106 |
| 19 | Wearsleeve | HSH24100 |
| | Service Kit Hyper 241 incl. (2,5,7,8,9,10,14,17) | HSH241SERVKIT |
| | Repair Kit Hyper 241 incl. (2,4,5,7,8,9,10,13,14,16,17) | HSH241REPKIT |
| | Complete Hammer | BR241H01 |

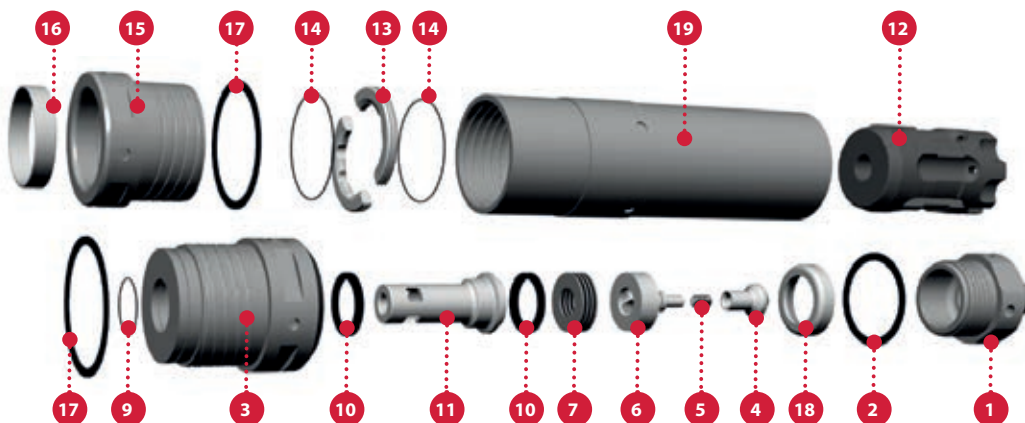


Air consumption (Pressure at Compressor)

| PSI | BAR | m ³ /min | ft ³ /min |
|-----|------|---------------------|----------------------|
| 100 | 6.9 | 63.8 | 2252 |
| 125 | 8.6 | 89.1 | 3147 |
| 150 | 10.3 | 117.2 | 4137 |
| 175 | 12.0 | 147.6 | 5214 |
| 200 | 13.8 | 180.4 | 6370 |
| 225 | 15.5 | 215.2 | 7601 |

Hammer specification

| | Imperial | Metric |
|-------------------|----------|---------|
| Weight (less bit) | 5676 lbs | 2575 kg |
| Length (less bit) | 91.9" | 2334 mm |
| Outside dia. | 21" | 533 mm |
| Piston weight | 1312 lbs | 595 kg |





Robit HYPER 241 HZ

Further. Faster.

Further. Faster.



GENERAL PURPOSE HAMMERS

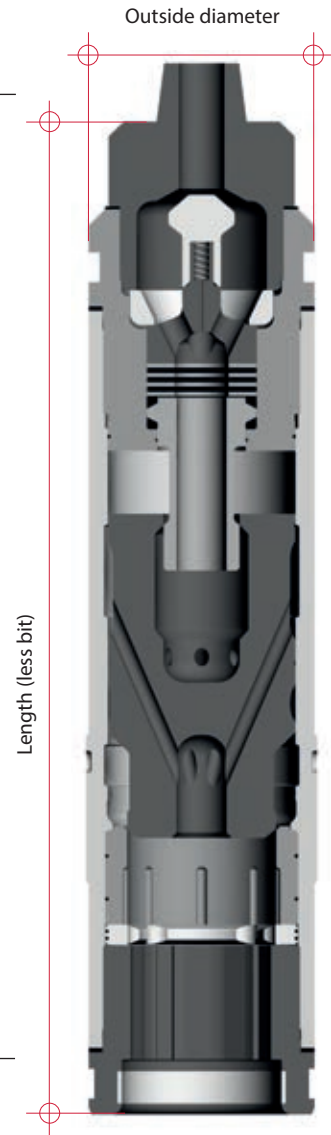
HYPER 241 HZ (horizontal drilling)

Hammer 610 mm (24") - 864 mm (34") dia. Holes

The Robit Hyper 241 HZ Hammer is a DTH Hammer designed for horizontal drilling with an operating pressure range of 100 to 350 psi (6.9 to 24 Bar). The hammer is supplied with a 8 5/8" API Reg Pin Backhead, but alternative connections can be offered on request. The H241HZ is designed to operate without a footvalve (blowtube) in the button bit, so before fitting the button bit into this hammer the footvalve must be removed. This hammer is supplied to suit N240 shank type button bits as standard.

Component parts

| Ref | Description | Part number |
|-----|------------------------------------|-------------------|
| 1 | Backhead Adapter 8 5/8" Reg Pin | HSH2413682M |
| 2 | Backhead Adapter Breakout Washer | HSH24127 |
| 3 | Check Valve | HSH18108 |
| 4 | Check Valve Spring | HSH24110 |
| 5 | Internal Washer Adapter | HSH24106 |
| 6 | Valve Chest | HSH24104 |
| 7 | Compression Buffer | HSH24128 |
| 8 | Tube Buffers (2) | HSH24129 |
| 9 | Control Tube | 4000121 |
| 10 | Backhead | HSH24138 |
| 11 | Internal Backhead 'O' Ring | HSH24114A |
| 12 | Backhead 'O' Ring | HSH24114 |
| 13 | Breakout Washer Backhead and Chuck | HSH24125 |
| 14 | Piston | 4000122 |
| 15 | Wearsleeve | 4000119 |
| 16 | Bit Retainer 'O' Ring (2) | HSH24137A240 |
| 17 | Bit Retainer | HSH24137240 |
| 18 | Bearing 'O' Ring (2) | 9001743 |
| 19 | Bearing | HSH24102HZ |
| 20 | Chuck | HSH24135240 |
| 21 | Chuck Bearing | HSH24135240BE |
| | Complete Hammer | BR241H01HZ |



Air consumption (Pressure at Compressor)

| PSI | BAR | m ³ /min | ft ³ /min |
|-----|------|---------------------|----------------------|
| 100 | 6.9 | 71.5 | 2524.8 |
| 150 | 10.3 | 131.4 | 4638.4 |
| 200 | 13.8 | 202.2 | 7141.2 |
| 250 | 17.2 | 282.6 | 9980.2 |
| 300 | 20.7 | 371.5 | 13119.3 |
| 350 | 24.1 | 468.2 | 16532.2 |

Hammer specification

| | Imperial | Metric |
|-------------------|----------|---------|
| Weight (less bit) | 5820 lbs | 2640 kg |
| Length (less bit) | 91.78" | 2331 mm |
| Outside dia. | 21" | 533 mm |
| Piston weight | 1290 lbs | 585 kg |



GENERAL PURPOSE HAMMERS

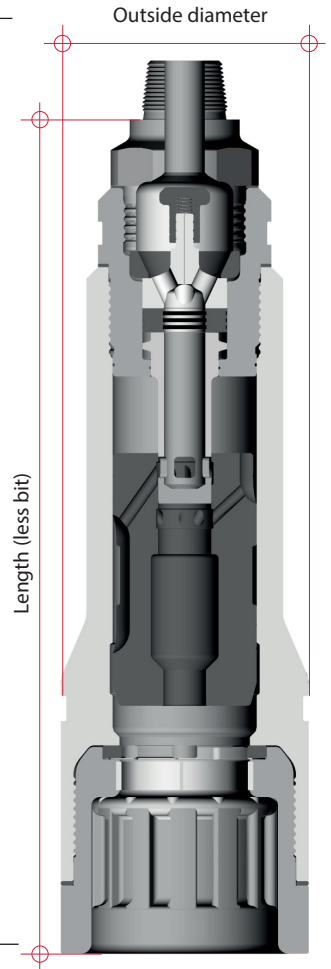
HYPER 241S

Hammer 864 mm (34") - 1090 mm (43") dia. Holes

The Robit Hyper 241S hammer is a valveless DTH hammer designed to operate efficiently at pressures ranging from 7 to 15 bar (100 - 220 psi). The Hyper 241S is supplied with a 10" beco pin backhead as standard, but an 8⁵/₈" box backhead can be supplied. A positive seating check valve is fitted. The Hyper 241S is supplied to suit the XL24/32 shank as standard.

Component parts

| Ref | Description | Part number |
|-----|-------------------------------|------------------|
| 1 | Backhead Adaptor 10" Beco Pin | HSH24138AD083M |
| 2 | Breakout washer (adaptor) | HSH24127 |
| 3 | Internal Washer Adaptor | HSH24106 |
| 4 | Check Valve | HSH24108 |
| 5 | Check Valve Spring | HSH24110 |
| 6 | Valve Chest | HSH24104 |
| 7 | Compression Buffer | HSH24128 |
| 8 | Control Tube Buffer (2) | HSH24129 |
| 9 | Control Tube | HSH24130 |
| 10 | Backhead | HSH24138 |
| 11 | Breakout Washer (backhead) | HSH24125 |
| 12 | Backhead sealing "O" ring | HSH241114B |
| 13 | Piston | HSH241S03XL24 |
| 14 | Wearsleeve | HSH241S00 |
| 15 | Breakout Washer (chuck) | HSH241S26 |
| 16 | Bit Retaining Ring | HSH241S37XL24 |
| 17 | Chuck Bearing | HSH241S35XL24BE |
| 18 | Chuck | HSH241S35XL24 |
| | Service Kit Hyper 241S incl. | |
| | Repair Kit Hyper241S incl. | |
| | Complete Hammer | BR241SH01 |

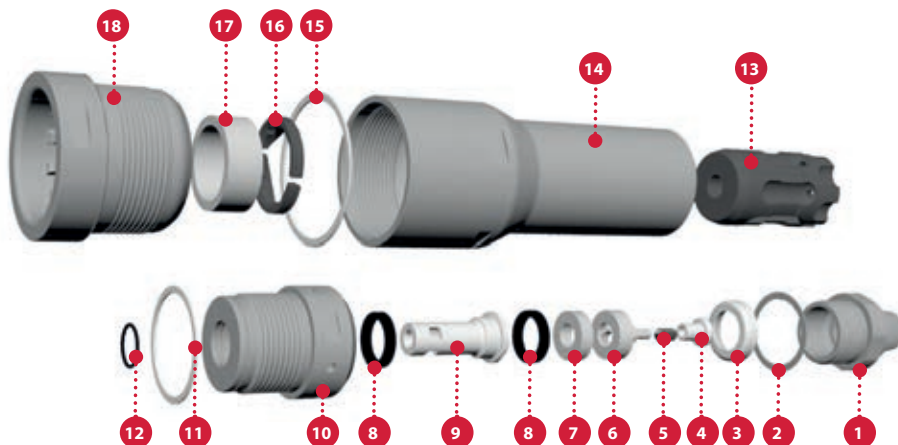


Air consumption

| PSI | BAR | m ³ /min | ft ³ /min |
|-----|------|---------------------|----------------------|
| 100 | 6.9 | 64.6 | 2281 |
| 125 | 8.6 | 90.3 | 3188 |
| 150 | 10.3 | 118.7 | 4191 |
| 175 | 12.0 | 149.5 | 5281 |
| 200 | 13.8 | 182.7 | 6452 |
| 225 | 15.5 | 218 | 7699 |

Hammer specification

| | Imperial | Metric |
|-------------------|----------|---------|
| Weight (less bit) | 8800 lbs | 4000 kg |
| Length (less bit) | 100" | 2540 mm |
| Outside dia. | 29.3" | 745 mm |
| Piston weight | 1276 lbs | 580 kg |



GENERAL PURPOSE HAMMERS

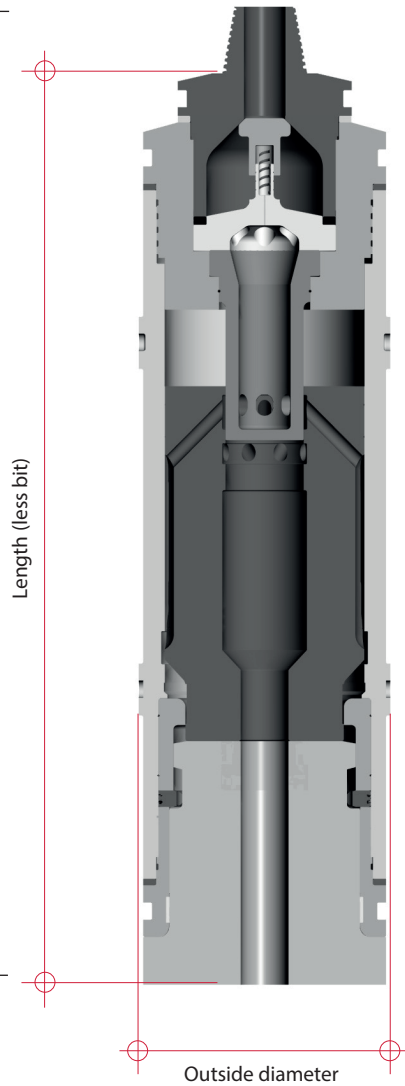
HYPER 331

Hammer 838 mm (33") - 1320 mm (52") dia. Holes (other sizes available on request)

The Hyper 331 DTH hammer is designed for drilling 838 mm - 1320 mm (33 - 52") diameter holes over a wide range of operating air pressures. The Hyper 331 is supplied with a 10" BECO as standard but other connections are available on request. The Hyper 331 is designed to transfer maximum energy to the button bit and comes with highly durable shank as standard.

Component parts

| Ref | Description | Part number |
|-----|---|-----------------|
| 1 | Backhead adaptor | HSH3313683M |
| 2 | Breakout washer | HSH33127 |
| 3 | Compression buffer | HSH33128 |
| 4 | Check valve | HSH18108 |
| 5 | Check valve spring | HSH18110 |
| 6 | Diverter | HSH33120 |
| 7 | Control tube | HSH33130 |
| 8 | Backhead | HSH33138 |
| 9 | Backhead internal 'O' ring | HSH33114A |
| 10 | Backhead breakout washer | HSH33126 |
| 11 | Piston | HSH33103 |
| 12 | Wearsleeve | HSH33100 |
| 13 | Bit bearing 'O' ring (2) | HSH33186A |
| 14 | Bit bearing | HSH33186 |
| 15 | Bit retainer 'O' ring (2) | HSH33137A |
| 16 | Bit retainer | HSH33137 |
| 17 | Chuck breakout washer | HSH33126 |
| 18 | Chuck | HSH33135 |
| 19 | Chuck bearing | HSH33135BE |
| | Service Kit Hyper 331 incl. (3,4,10,15) | HSH331SERVKIT |
| | Repair Kit Hyper331 incl. (3,4,5,10,15,16,18) | HSH331REPKIT |
| | Complete Hammer | BR331H01 |

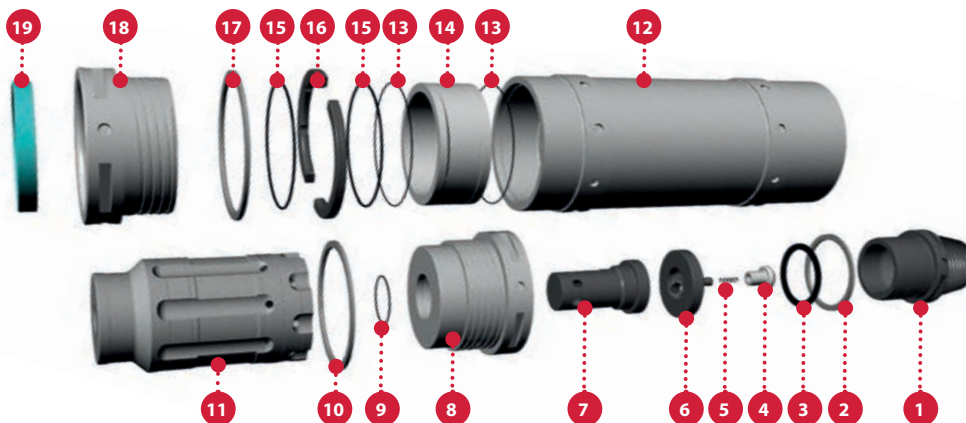


Air consumption

| PSI | BAR | m ³ /min | ft ³ /min |
|-----|------|---------------------|----------------------|
| 100 | 6.9 | 77.68 | 2743.26 |
| 125 | 8.6 | 108.57 | 3833.83 |
| 150 | 10.3 | 142.71 | 5039.70 |
| 175 | 12.0 | 179.84 | 6350.74 |
| 200 | 13.8 | 219.72 | 7759.12 |
| 225 | 15.5 | 262.18 | 9258.52 |

Hammer specification

| | Imperial | Metric |
|-------------------|-----------|----------|
| Weight (less bit) | 12273 lbs | 5567 Kg |
| Length (less bit) | 100" | 2540 mm |
| Outside dia. | 29.0" | 736.6 mm |
| Piston weight | 3414 lbs | 1552 Kg |
| Button Bit type | H331 | |





Robitl WH4

Further. Faster.

Further. Faster.

DTH HAMMERS

WELL DRILLING HAMMERS

| Hammer | Shank | Top sub thread options | Wear Sleeve O.D. | | Length | | Weight | Piston weight |
|------------|---------------------------------|--|------------------|--------|--------|-------|--------|---------------|
| | | | [mm] | [in] | [mm] | [in] | [kg] | [kg] |
| WH4 | TD40 | 2 3/8" API reg pin | 100 | 3,94" | 956 | 37,6 | 39,7 | 7,4 |
| WH5 | DHD350 | 2 3/8" API reg pin 3 1/2" API reg pin | 126 | 4,96" | 1074 | 42,3" | 60,0 | 16,5 |
| WH5 | QL50 | 2 3/8" API reg pin 3 1/2" API reg pin | 126 | 4,96" | 1053 | 41,5" | 60,0 | 16,0 |
| WH6 | DHD360 QL60 | 3 1/2" API reg pin | 140 | 5,51" | 1035 | 40,8" | 86,0 | 20,0 |
| WH6 HD | QL60w DHD360 | 3 1/2" API reg pin | 146 | 5,75" | 1035 | 40,8" | 99,0 | 20,0 |
| HYPHER 81 | DHD380 COP84 SD8 | 4 1/2" API reg pin | 184 | 7,24" | 1262 | 49,7" | 158,0 | 43,9 |
| HYPHER 101 | SD10 N100 | 6" API reg pin | 225 | 8,86" | 1575 | 62,0" | 338,0 | 68,0 |
| HYPHER 121 | DHD112 N120 SD12 QL120 | 6" API reg pin | 272 | 10,71" | 1857 | 73,1" | 676,0 | 112,0 |
| | | 6" API reg pin | 272 | 10,71" | 1889 | 74,4" | 675,0 | 125,0 |
| | | 6" API reg pin | 272 | 10,71" | 1909 | 75,2" | 675,0 | 125,0 |
| | | 6" API reg pin | 286 | 11,26" | 1889 | 74,4" | 763,0 | 125,0 |



WELL DRILLING HAMMERS

WH4

Hammer 110 mm (4^{3/8}") - 127 mm (5") dia. Holes

The new highly dependable Robit WH4" hammer is designed for drilling 110 mm - 127 mm (4^{3/8}" to 5") diameter holes. The simple yet rugged design minimises the amount of components and overall length for ease of maintenance. For optimum performance the WH4" is most effective at medium to high air pressures ranging up to 35 bar (508 psi). It comes with industry standard 2^{3/8}" api reg. pin backhead and TD40 bit shank fitting.

Component parts

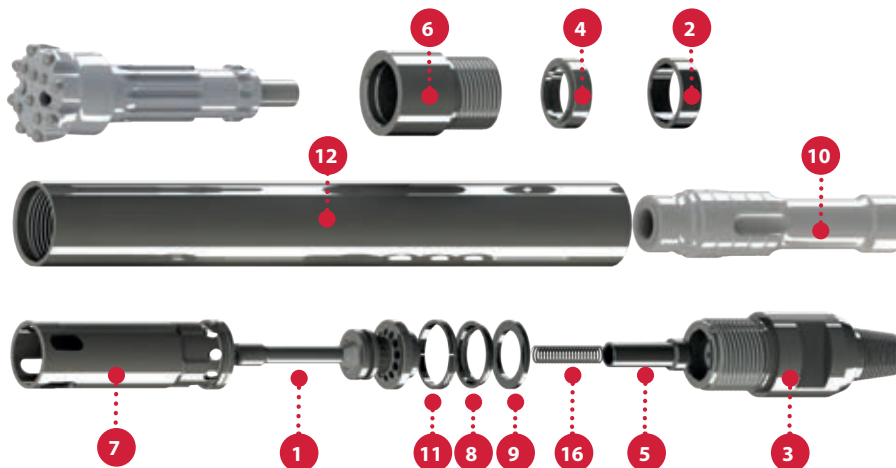
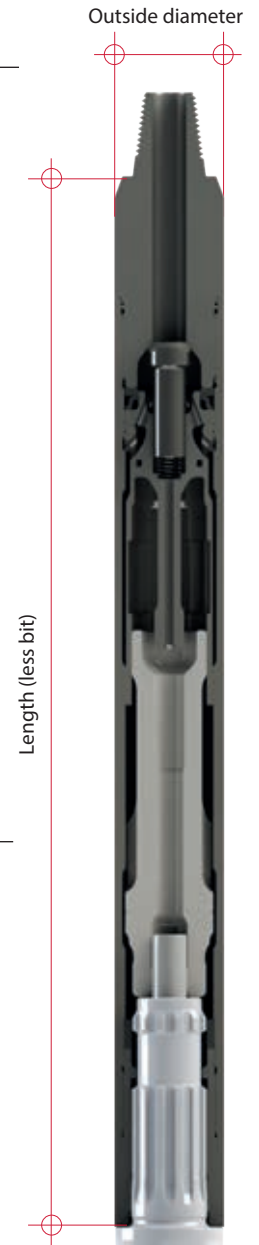
| Ref | Description | Part number |
|-----|----------------------------|--------------------|
| 1 | Air feed tube 4" TD40 | 08-004-0550 |
| 2 | Aligner 4" TD40 | 08-004-0551 |
| 3 | Backhead API 2 3/8" TD40 | 08-004-0545 |
| 4 | Bit retaining ring 4" TD40 | 08-004-0546 |
| 5 | Check valve 4" TD40 | 08-004-0552 |
| 6 | Chuck 4" TD40 | 08-004-0547 |
| 7 | Inner cylinder 4" TD40 | 08-004-0553 |
| 8 | Lock ring 4" TD40 | 08-004-0554 |
| 9 | Make-up ring 4" TD40 | 08-004-0555 |
| 10 | Piston 4" TD40 | 08-004-0548 |
| 11 | Seating ring 4" TD40 | 08-004-0556 |
| 12 | Wear sleeve 4" TD40 | 08-004-0549 |
| 13 | 4" air feed tube 'O'-ring | 06M-00-0541 |
| 14 | 4" backhead 'O'-ring | 06M-00-0542 |
| 15 | 4" seating 'O'-ring | 06M-00-0543 |
| 16 | Spring | 06J-25-0544 |
| | Complete Hammer | 08-004-0557 |

Air consumption

| PSI | BAR | m ³ /min | ft ³ /min |
|-----|------|---------------------|----------------------|
| 100 | 6.9 | 2.83 | 100 |
| 150 | 10.3 | 5.38 | 190 |
| 200 | 13.8 | 7.79 | 275 |
| 250 | 17.2 | 9.20 | 370 |
| 300 | 20.7 | 10.48 | 470 |
| 350 | 24.2 | 15.86 | 560 |
| 400 | 27.6 | 18.41 | 650 |
| 450 | 31.0 | 20.95 | 740 |
| 500 | 34.5 | 23.50 | 830 |

Hammer specification

| | Imperial | Metric |
|-------------------|-----------|---------|
| Weight (less bit) | 106.4 lbs | 39,7 kg |
| Length (less bit) | 37.6" | 956 mm |
| Outside dia. | 3.94" | 100 mm |
| Piston weight | 19.8 lbs | 7,4 kg |



WELL DRILLING HAMMERS

WH5 DHD350 2³/₈" API REG

Hammer 140 mm (5¹/₂") - 165 mm (6¹/₂") dia. Holes

The new highly dependable Robit WH5" hammer is designed for drilling 140 mm - 165 mm (5¹/₂" to 6¹/₂") diameter holes. The simple yet rugged design minimises the amount of components and overall length for ease of maintenance. For optimum performance the WH5" is most effective at medium to high air pressures ranging up to 35 bar (508 psi). It comes with industry standard 2³/₈"(or 3¹/₂") api reg. pin backhead and DHD350 (or QL50) bit shank fitting.

Component parts

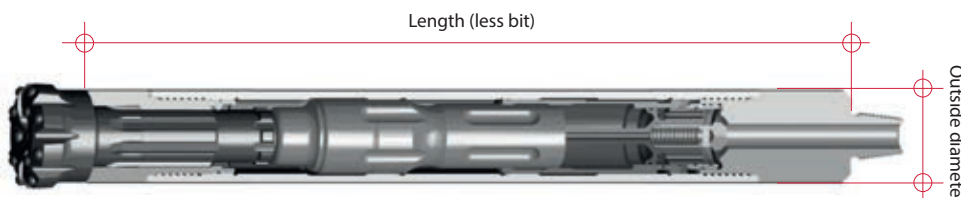
| Ref | Description | Part number |
|-----|--|----------------|
| 1 | Thread Protector API 2 ³ / ₈ " | 9001121 |
| 2 | Back Head WH5 API 2 ³ / ₈ " | 9001124 |
| 3a | Check Valve Plug Blank | 9001125 |
| 3b | Check Valve Plug 1/8" | 9001126 |
| 3c | Check Valve Plug 3/16" | 9001127 |
| 4 | Check Valve WH5, WH6 | 9001128 |
| 5 | Spring WH5, WH6 | 9001129 |
| 6a | Shim - 4.5 mm WH5 | 9001130 |
| 6b | Shim - 5.0 mm WH5 | 9001131 |
| 6c | Shim - 5.5 mm WH5 | 9001132 |
| 7 | Ringfeder Spring WH5 | 9001133 |
| 8 | Air Feed Tube WH5 | 9001134 |
| 9 | O Ring WH5 | 9001135 |
| 10 | Inner Cylinder WH5 | 9001136 |
| 11 | Square Lock Ring WH5 | 9001137 |
| 12 | Wear sleeve WH5 | 9001138 |
| 13 | Piston WH5 DHD350 | 9001140 |
| 14 | Lock Ring WH5 | 9001141 |
| 15 | Bit Retaining Ring WH5 DHD350 | 9001142 |
| 16 | Chuck WH5 DHD350 | 9001143 |
| 17 | End Cap WH5 | 9001150 |
| | Service Kit WH5 DHD350, incl. [(3a-c,5,9,14)*2],11 | 5000003 |
| | Repair Kit WH5 DHD350, incl. [(9,14)*2]3a-c,4,5,6a-c,11,15,16,21 | 5000004 |
| | Life Kit WH5 DHD350 API 2 ³ / ₈ ", incl. 2,12,16 | 5000006 |
| | Footvalve DHD350 | 9001152 |
| | Complete Hammer | 9000819 |

Air consumption

| PSI | BAR | m ³ /min | ft ³ /min |
|-----|------|---------------------|----------------------|
| 100 | 6.9 | 8.50 | 300 |
| 150 | 10.3 | 11.33 | 400 |
| 200 | 13.8 | 14.16 | 500 |
| 250 | 17.2 | 19.82 | 700 |
| 300 | 20.7 | 22.66 | 800 |
| 350 | 24.2 | 28.32 | 1000 |
| 400 | 27.6 | 31.15 | 1100 |
| 450 | 31.0 | 36.82 | 1300 |
| 500 | 34.5 | 39.65 | 1400 |

Hammer specification

| | Imperial | Metric |
|-------------------|-----------|---------|
| Weight (less bit) | 132.3 lbs | 60.0 kg |
| Length (less bit) | 42.3" | 1074 mm |
| Outside dia. | 4.96" | 126 mm |



WELL DRILLING HAMMERS

WH5 DHD350 3½" API REG

Hammer 140 mm (5½") - 165 mm (6½") dia. Holes

The new highly dependable Robit WH5" hammer is designed for drilling 140 mm - 165 mm (5½" to 6½") diameter holes. The simple yet rugged design minimises the amount of components and overall length for ease of maintenance. For optimum performance the WH5" is most effective at medium to high air pressures ranging up to 35 bar (508 psi). It comes with industry standard 3½"(or 2¾") api reg. pin backhead and DHD350 (or QL50) bit shank fitting.

Component parts

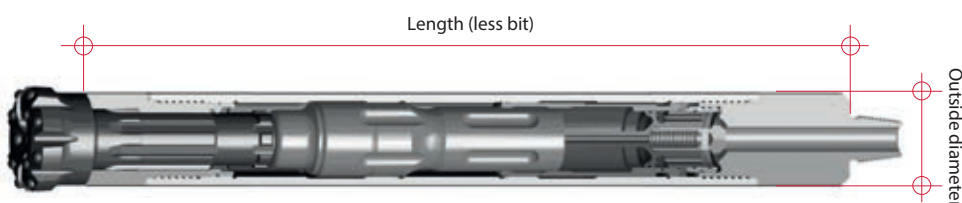
| Ref | Description | Part number |
|-----|--|----------------|
| 1 | Thread Protector API 3½ | 9001122 |
| 2 | Back Head WH5 API 3½ | 9001123 |
| 3a | Check Valve Plug Blank | 9001125 |
| 3b | Check Valve Plug ⅙" | 9001126 |
| 3c | Check Valve Plug 3/16" | 9001127 |
| 4 | Check Valve WH5, WH6 | 9001128 |
| 5 | Spring WH5, WH6 | 9001129 |
| 6a | Shim - 4.5 mm WH5 | 9001130 |
| 6b | Shim - 5.0 mm WH5 | 9001131 |
| 6c | Shim - 5.5 mm WH5 | 9001132 |
| 7 | Ringfeder Spring WH5 | 9001133 |
| 8 | Air Feed Tube WH5 | 9001134 |
| 9 | O Ring WH5 | 9001135 |
| 10 | Inner Cylinder WH5 | 9001136 |
| 11 | Square Lock Ring WH5 | 9001137 |
| 12 | Wear sleeve WH5 | 9001138 |
| 13 | Piston WH5 DHD350 | 9001140 |
| 14 | Lock Ring WH5 | 9001141 |
| 15 | Bit Retaining Ring WH5 DHD350 | 9001142 |
| 16 | Chuck WH5 DHD350 | 9001143 |
| 17 | End Cap WH5 | 9001150 |
| | Service Kit WH5 DHD350, incl. [(3a-c,5,9,14)*2],11 | 5000003 |
| | Repair Kit WH5 DHD350, incl. [(9,14)*2]3a-c,4,5,6a-c,11,15,16,21 | 5000004 |
| | Life Kit WH5 DHD350 API 3½, incl. 2,12,16 | 5000005 |
| | Footvalve DHD350 | 9001152 |
| | Complete Hammer | 9000819 |

Air consumption

| PSI | BAR | m³/min | ft³/min |
|-----|------|--------|---------|
| 100 | 6.9 | 8.50 | 300 |
| 150 | 10.3 | 11.33 | 400 |
| 200 | 13.8 | 14.16 | 500 |
| 250 | 17.2 | 19.82 | 700 |
| 300 | 20.7 | 22.66 | 800 |
| 350 | 24.2 | 28.32 | 1000 |
| 400 | 27.6 | 31.15 | 1100 |
| 450 | 31.0 | 36.82 | 1300 |
| 500 | 34.5 | 39.65 | 1400 |

Hammer specification

| | Imperial | Metric |
|-------------------|-----------|---------|
| Weight (less bit) | 132.3 lbs | 60.0 kg |
| Length (less bit) | 42.3" | 1074 mm |
| Outside dia. | 4.96" | 126 mm |



WELL DRILLING HAMMERS

WH5 QL50 2³/₈" API REG

Hammer 140 mm (5½") - 165 mm (6½") dia. Holes

The new highly dependable Robit WH5" hammer is designed for drilling 140 mm - 165 mm (5½" to 6½") diameter holes. The simple yet rugged design minimises the amount of components and overall length for ease of maintenance. For optimum performance the WH5" is most effective at medium to high air pressures ranging up to 35 bar (508 psi). It comes with industry standard 2³/₈" (or 3½") api reg. pin backhead and QL50 (or DHD350) bit shank fitting.

Component parts

| Ref | Description | Part number |
|-----|--|----------------|
| 1 | Thread Protector API 2 ³ / ₈ " | 9001121 |
| 2 | Back Head WH5 API 2 ³ / ₈ " | 9001124 |
| 3a | Check Valve Plug Blank | 9001125 |
| 3b | Check Valve Plug 1/8" | 9001126 |
| 3c | Check Valve Plug 3/16" | 9001127 |
| 4 | Check Valve WH5, WH6 | 9001128 |
| 5 | Spring WH5, WH6 | 9001129 |
| 6a | Shim - 4.5 mm WH5 | 9001130 |
| 6b | Shim - 5.0 mm WH5 | 9001131 |
| 6c | Shim - 5.5 mm WH5 | 9001132 |
| 7 | Ringfeder Spring WH5 | 9001133 |
| 8 | Air Feed Tube WH5 | 9001134 |
| 9 | O Ring WH5 | 9001135 |
| 10 | Inner Cylinder WH5 | 9001136 |
| 11 | Square Lock Ring WH5 | 9001137 |
| 12 | Wear sleeve WH5 | 9001138 |
| 13 | Piston WH5 QL50 | 9001139 |
| 14 | Lock Ring WH5 | 9001141 |
| 15 | Guide Bush WH5 QL50 | 9001144 |
| 16 | O Ring WH5 QL50 | 9001145 |
| 17 | Bit Retaining Ring WH5 QL50 | 9001146 |
| 18 | Chuck Lock Ring WH5 QL50 | 9001148 |
| 19 | Chuck WH5 QL50 | 9001149 |
| 20 | End Cap WH5 | 9001150 |
| | Service Kit WH5 QL50, incl. (3a-c,5,9,11,14,16)*2 | 5000007 |
| | Repair Kit WH5 QL50, incl. [(3a-c,9,11,14,16)*2],4,5,6a-c,7,17,24 | 5000008 |
| | Life Kit WH5 QL50 API 2 ³ / ₈ ", incl. 2,12,19 | 5000009 |
| | Footvalve QL50 | 9001151 |
| | Complete Hammer | 9000820 |

Air consumption

| PSI | BAR | m ³ /min | ft ³ /min |
|-----|------|---------------------|----------------------|
| 100 | 6.9 | 8.50 | 300 |
| 150 | 10.3 | 11.33 | 400 |
| 200 | 13.8 | 14.16 | 500 |
| 250 | 17.2 | 19.82 | 700 |
| 300 | 20.7 | 22.66 | 800 |
| 350 | 24.2 | 28.32 | 1000 |
| 400 | 27.6 | 31.15 | 1100 |
| 450 | 31.0 | 36.82 | 1300 |
| 500 | 34.5 | 39.65 | 1400 |

Hammer specification

| | Imperial | Metric |
|-------------------|-----------|---------|
| Weight (less bit) | 132.3 lbs | 60.0 kg |
| Length (less bit) | 41.5" | 1053 mm |
| Outside dia. | 4.96" | 126 mm |

Length (less bit)



WELL DRILLING HAMMERS

WH5 QL50 3 1/2" API REG

Hammer 140 mm (5 1/2") - 165 mm (6 1/2") dia. Holes

The new highly dependable Robit WH5" hammer is designed for drilling 140 mm - 165 mm (5 1/2" to 6 1/2") diameter holes. The simple yet rugged design minimises the amount of components and overall length for ease of maintenance. For optimum performance the WH5" is most effective at medium to high air pressures ranging up to 35 bar (508 psi). It comes with industry standard 3 1/2"(or 2 3/8") api reg. pin backhead and QL50 (or DHD350) bit shank fitting.

Component parts

| Ref | Description | Part number |
|-----|---|----------------|
| 1 | Thread Protector API 3 1/2 | 9001122 |
| 2 | Back Head WH5 API 3 1/2 | 9001123 |
| 3a | Check Valve Plug Blank | 9001125 |
| 3b | Check Valve Plug 1/8" | 9001126 |
| 3c | Check Valve Plug 3/16" | 9001127 |
| 4 | Check Valve WH5, WH6 | 9001128 |
| 5 | Spring WH5, WH6 | 9001129 |
| 6a | Shim - 4.5 mm WH5 | 9001130 |
| 6b | Shim - 5.0 mm WH5 | 9001131 |
| 6c | Shim - 5.5 mm WH5 | 9001132 |
| 7 | Ringfeder Spring WH5 | 9001133 |
| 8 | Air Feed Tube WH5 | 9001134 |
| 9 | O Ring WH5 | 9001135 |
| 10 | Inner Cylinder WH5 | 9001136 |
| 11 | Square Lock Ring WH5 | 9001137 |
| 12 | Wear sleeve WH5 | 9001138 |
| 13 | Piston WH5 QL50 | 9001139 |
| 14 | Lock Ring WH5 | 9001141 |
| 15 | Guide Bush WH5 QL50 | 9001144 |
| 16 | O Ring WH5 QL50 | 9001145 |
| 17 | Bit Retaining Ring WH5 QL50 | 9001146 |
| 18 | Chuck Lock Ring WH5 QL50 | 9001148 |
| 19 | Chuck WH5 QL50 | 9001149 |
| 20 | End Cap WH5 | 9001150 |
| | Service Kit WH5 QL50, incl. (3a-c,5,9,11,14,16)*2 | 5000007 |
| | Repair Kit WH5 QL50, incl. [(3a-c,9,11,14,16)*2],4,5,6a-c,7,17,24 | 5000008 |
| | Life Kit WH5 QL50 API 3 1/2, incl. 2,12,19 | 5000010 |
| | Footvalve QL50 | 9001151 |
| | Complete Hammer | 9000821 |

Air consumption

| PSI | BAR | m ³ /min | ft ³ /min |
|-----|------|---------------------|----------------------|
| 100 | 6.9 | 8.50 | 300 |
| 150 | 10.3 | 11.33 | 400 |
| 200 | 13.8 | 14.16 | 500 |
| 250 | 17.2 | 19.82 | 700 |
| 300 | 20.7 | 22.66 | 800 |
| 350 | 24.2 | 28.32 | 1000 |
| 400 | 27.6 | 31.15 | 1100 |
| 450 | 31.0 | 36.82 | 1300 |
| 500 | 34.5 | 39.65 | 1400 |

Hammer specification

| | Imperial | Metric |
|-------------------|-----------|---------|
| Weight (less bit) | 132.3 lbs | 60.0 kg |
| Length (less bit) | 41.5" | 1053 mm |
| Outside dia. | 4.96" | 126 mm |



WELL DRILLING HAMMERS

WH6 DHD360 3 1/2" API REG

Hammer 152 mm (6") - 203 mm (8") dia. Holes

The new highly dependable Robit WH6" hammer is designed for drilling 152 mm - 203 mm (6" to 8") diameter holes. The simple yet rugged design minimises the amount of components and overall length for ease of maintenance. For optimum performance the WH6" is most effective at medium to high air pressures ranging up to 30 bar (435 psi). It comes with industry standard 3 1/2" api reg. pin backhead and DHD360 (or QL60) bit shank fitting.

Component parts

| Ref | Description | Part number |
|-----|---|----------------|
| 1 | Thread Protector API 3 1/2 | 9001122 |
| 2 | Back Head WH6 DHD360 | 9001214 |
| 3 | O Ring WH6 | 9001218 |
| 4a | Shim - 4 mm WH6 | 9001219 |
| 4b | Shim - 5 mm WH6 | 9001220 |
| 4c | Shim - 6 mm WH6 | 9001221 |
| 4d | Shim - 7mm WH6 | 9001222 |
| 5 | Ringfeder WH6 | 9001223 |
| 6a | Check Valve Plug Blank | 9001125 |
| 6b | Check Valve Plug 1/8" | 9001126 |
| 6c | Check Valve Plug 3/16" | 9001127 |
| 7 | Check Valve WH5,WH6 | 9001128 |
| 8 | Spring WH5, WH6 | 9001129 |
| 9 | Air Feed Tube WH6 | 9001224 |
| 10 | O Ring WH6 | 9001225 |
| 11 | Inner Cylinder WH6 | 9001226 |
| 12 | Square Lock Ring WH6 | 9001227 |
| 13 | Wear Sleeve WH6 DHD360 | 9001215 |
| 14 | Piston WH6 DHD360 | 9001216 |
| 15 | Lock Ring WH6 | 9001228 |
| 16 | Guide Bush WH6 DHD360 | 9001229 |
| 17 | O Ring WH6 | 9001231 |
| 18 | Bit Retaining Ring WH6 DHD360 | 9001232 |
| 19 | Chuck WH6 DHD360 | 9001217 |
| 20 | End Cap WH6 | 9001234 |
| | Service Kit WH6 DHD360, incl. [(3,10,15,17)*2],12 | 5000016 |
| | Repair Kit WH6 DHD360, incl. 4a-d,5,6a-c,7 ,8,18,19,21,24 | 5000017 |
| | Life Kit WH6 DHD360, incl. 2,13,19 | 5000018 |
| | Footvalve DHD360 | 9001235 |
| | Complete Hammer | 9000824 |

Air consumption

| PSI | BAR | m ³ /min | ft ³ /min |
|-----|------|---------------------|----------------------|
| 100 | 6.9 | 8.50 | 300 |
| 150 | 10.3 | 11.33 | 400 |
| 200 | 13.8 | 16.99 | 600 |
| 250 | 17.2 | 21.24 | 750 |
| 300 | 20.7 | 25.49 | 900 |
| 350 | 24.2 | 31.15 | 1100 |
| 400 | 27.6 | 35.40 | 1250 |
| 450 | 31.0 | 39.64 | 1400 |

Hammer specification

| | Imperial | Metric |
|-------------------|-----------|---------|
| Weight (less bit) | 189.6 lbs | 86.0 kg |
| Length (less bit) | 40.8" | 1035 mm |
| Outside dia. | 5.51" | 140 mm |



WELL DRILLING HAMMERS

WH6 QL60 3 1/2" API REG

Hammer 152 mm (6") - 203 mm (8") dia. Holes

The new highly dependable Robit WH6" hammer is designed for drilling 152 mm - 203 mm (6" to 8") diameter holes. The simple yet rugged design minimises the amount of components and overall length for ease of maintenance. For optimum performance the WH6" is most effective at medium to high air pressures ranging up to 30 bar (435 psi). It comes with industry standard 3 1/2" api reg. pin backhead and QL60 (or DHD360) bit shank fitting.

Component parts

| Ref | Description | Part number |
|-----|---|----------------|
| 1 | Thread Protector API 3 1/2 | 9001122 |
| 2 | Back Head WH6 QL60 | 9001210 |
| 3 | O Ring WH6 | 9001218 |
| 4a | Shim - 4 mm WH6 | 9001219 |
| 4b | Shim - 5 mm WH6 | 9001220 |
| 4c | Shim - 6 mm WH6 | 9001221 |
| 4d | Shim - 7mm WH6 | 9001222 |
| 5 | Ringfeder WH6 | 9001223 |
| 6a | Check Valve Plug Blank | 9001125 |
| 6b | Check Valve Plug 1/8" | 9001126 |
| 6c | Check Valve Plug 3/16" | 9001127 |
| 7 | Check Valve WH5,WH6 | 9001128 |
| 8 | Spring WH5, WH6 | 9001129 |
| 9 | Air Feed Tube WH6 | 9001224 |
| 10 | O Ring WH6 | 9001225 |
| 11 | Inner Cylinder WH6 | 9001226 |
| 12 | Square Lock Ring WH6 | 9001227 |
| 13 | Wear Sleeve WH6 QL60 | 9001211 |
| 14 | Piston WH6 QL60 | 9001212 |
| 15 | Lock Ring WH6 | 9001228 |
| 16 | Guide Bush WH6 QL60 | 9001230 |
| 17 | O Ring WH6 | 9001231 |
| 18 | Bit Retaining Ring WH6 QL60 | 9001233 |
| 19 | Chuck WH6 QL60 | 9001213 |
| 20 | End Cap WH6 | 9001234 |
| | Service Kit WH6 QL60, incl. [(3,10,15,17)*2],12 | 5000013 |
| | Repair Kit WH6 QL60, incl. 4a-d,5,6a-c,7 ,8,18,19,21,24 | 5000014 |
| | Life Kit WH6 QL60, incl. 2,13,19 | 5000015 |
| | Footvalve QL60 | 9001235 |
| | Complete Hammer | 9000824 |

Air consumption

| PSI | BAR | m ³ /min | ft ³ /min |
|-----|------|---------------------|----------------------|
| 100 | 6.9 | 8.50 | 300 |
| 150 | 10.3 | 11.33 | 400 |
| 200 | 13.8 | 16.99 | 600 |
| 250 | 17.2 | 21.24 | 750 |
| 300 | 20.7 | 25.49 | 900 |
| 350 | 24.2 | 31.15 | 1100 |
| 400 | 27.6 | 35.40 | 1250 |
| 450 | 31.0 | 39.64 | 1400 |

Hammer specification

| | Imperial | Metric |
|-------------------|-----------|---------|
| Weight (less bit) | 189.6 lbs | 86.0 kg |
| Length (less bit) | 40.8" | 1035 mm |
| Outside dia. | 5.51" | 140 mm |



WELL DRILLING HAMMERS

WH6 HD QL60 3 1/2" API REG

Hammer 152 mm (6") - 203 mm (8") dia. Holes

The new highly dependable Robit WH6" HD hammer is designed for drilling 152 mm - 203 mm (6" to 8") diameter holes. The simple yet rugged design minimises the amount of components and overall length for ease of maintenance. For optimum performance the WH6" HD is most effective at medium to high air pressures ranging up to 30 bar (435 psi). It comes with industry standard 3 1/2" api reg. pin backhead and QL60 (or DHD360) bit shank fitting.

Component parts

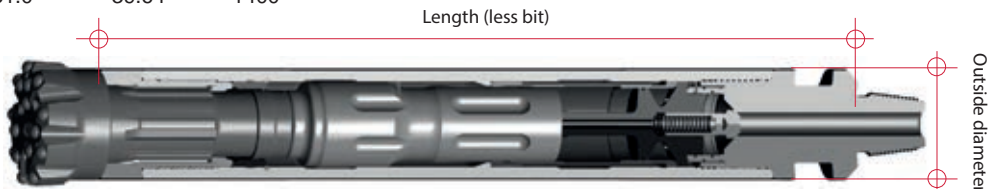
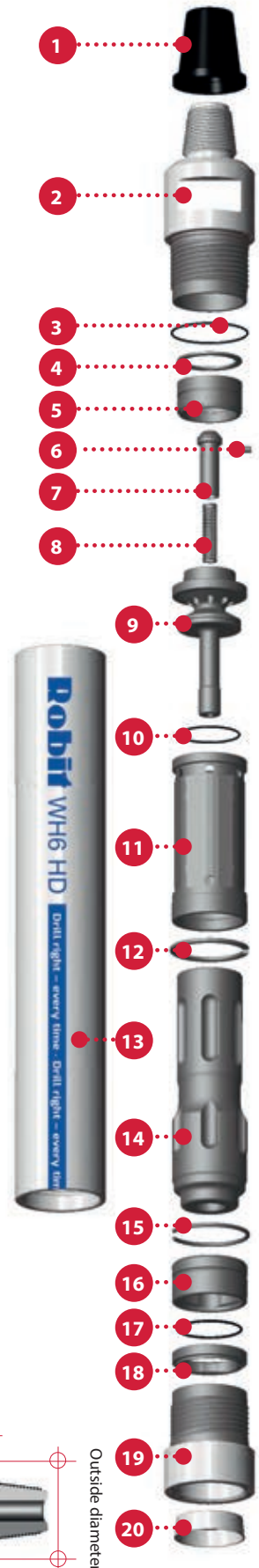
| Ref | Description | Part number |
|-----|--|----------------|
| 1 | Thread Protector API 3 1/2 | 9001122 |
| 2 | Back Head WH6 HD QL60 | 9001537 |
| 3 | O Ring WH6 | 9001218 |
| 4a | Shim - 4 mm WH6 | 9001219 |
| 4b | Shim - 5 mm WH6 | 9001220 |
| 4c | Shim - 6 mm WH6 | 9001221 |
| 4d | Shim - 7mm WH6 | 9001222 |
| 5 | Ringfeder WH6 | 9001223 |
| 6a | Check Valve Plug Blank | 9001125 |
| 6b | Check Valve Plug 1/8" | 9001126 |
| 6c | Check Valve Plug 3/16" | 9001127 |
| 7 | Check Valve WH5,WH6 | 9001128 |
| 8 | Spring WH5, WH6 | 9001129 |
| 9 | Air Feed Tube WH6 | 9001224 |
| 10 | O Ring WH6 | 9001225 |
| 11 | Inner Cylinder WH6 | 9001226 |
| 12 | Square Lock Ring WH6 | 9001227 |
| 13 | Wear Sleeve WH6 HD QL60 | 9001538 |
| 14 | Piston WH6 QL60 | 9001212 |
| 15 | Lock Ring WH6 | 9001228 |
| 16 | Guide Bush WH6 QL60 | 9001230 |
| 17 | O Ring WH6 | 9001231 |
| 18 | Bit Retaining Ring WH6 QL60 | 9001233 |
| 19 | Chuck WH6 HD QL60 | 9001539 |
| 20 | End Cap WH6 | 9001234 |
| | Service Kit WH6 QL60, incl. [(3,10,15,17)*2],12 | 5000013 |
| | Repair Kit WH6 QL60 HD, incl. 4a-d,5,6a-c,7 ,8,18,19,21,24 | 5000019 |
| | Life Kit WH6 QL60 HD, incl. 2,13,19 | 5000020 |
| | Footvalve QL60 | 9001235 |
| | Complete Hammer | 9001286 |

Air consumption

| PSI | BAR | m ³ /min | ft ³ /min |
|-----|------|---------------------|----------------------|
| 100 | 6.9 | 8.50 | 300 |
| 150 | 10.3 | 11.33 | 400 |
| 200 | 13.8 | 16.99 | 600 |
| 250 | 17.2 | 21.24 | 750 |
| 300 | 20.7 | 25.49 | 900 |
| 350 | 24.2 | 31.15 | 1100 |
| 400 | 27.6 | 35.40 | 1250 |
| 450 | 31.0 | 39.64 | 1400 |

Hammer specification

| | Imperial | Metric |
|-------------------|-----------|---------|
| Weight (less bit) | 265.2 lbs | 99.0 kg |
| Length (less bit) | 40.8" | 1035 mm |
| Outside dia. | 5.75" | 146 mm |



WELL DRILLING HAMMERS

HYPER 81

Hammer 203 mm (8") - 254 mm (10") dia. Holes

The new shorter and highly dependable Hyper 81 hammer is designed for drilling 203 mm - 254 mm (8" to 10") diameter holes. The simple yet rugged design minimises the amount of components and overall length for ease of maintenance. For optimum performance the Hyper 81 is most effective at medium to high air pressures ranging from 10 to 24 bar (150 to 350 psi). It comes with industry standard 4½" api reg. pin backhead and DHD380 bit shank fitting. Alternate bit fittings SD8 and QL80 are also available on request.

Component parts

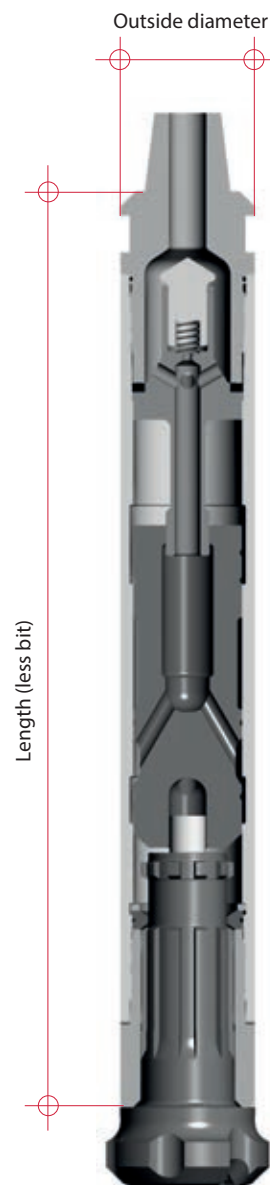
| Ref | Description | Part number |
|-----|---|----------------|
| 1 | Backhead | HSH813804M |
| 2 | Backhead 'O' ring | HSH8114 |
| 3 | Check valve | IPRCV05 |
| 4 | Check valve spring | IPRCVS04 |
| 5 | Compression ring | HSH8128 |
| 6 | Diverter | HSH8120 |
| 7 | Piston DHD380 | HSH8103 |
| 8 | Wearsleeve | HSH8100 |
| 9 | Piston retaining ring | HSH8132 |
| 10 | Bit retaining 'O' ring | HSH8137A094 |
| 11 | Bit retainer DHD380 | HSH8137094 |
| 12 | Breakout washer | HSH8126 |
| 13 | Chuck DHD380 | HSH8135094 |
| | Service Kit Hyper 81 incl. (2,4,5,10,12) | HSH81SERVKIT |
| | Repair Kit Hyper 81 incl. (2,3,4,5,9,10,11,12,13) | HSH81REPKIT |
| | Complete Hammer | BR81H01 |

Air consumption (Pressure at Compressor)

| PSI | BAR | m ³ /min | ft ³ /min |
|-----|------|---------------------|----------------------|
| 100 | 6.9 | 7.48 | 264.18 |
| 125 | 8.6 | 10.45 | 369.20 |
| 150 | 10.3 | 13.74 | 485.32 |
| 175 | 12.0 | 17.32 | 611.58 |
| 200 | 13.8 | 21.16 | 747.21 |
| 225 | 15.5 | 25.25 | 891.60 |
| 250 | 17.2 | 29.57 | 1044.25 |
| 275 | 19.0 | 34.12 | 1204.74 |
| 300 | 20.7 | 38.87 | 1372.71 |
| 325 | 22.4 | 43.83 | 1547.82 |
| 350 | 24.2 | 48.98 | 1729.81 |

Hammer specification

| | Imperial | Metric |
|-------------------|----------|---------|
| Weight (less bit) | 348 lbs | 158 kg |
| Length (less bit) | 49.69" | 1262 mm |
| Outside dia. | 7.25" | 184 mm |
| Piston weight | 96.6 lbs | 43.9 kg |



WELL DRILLING HAMMERS

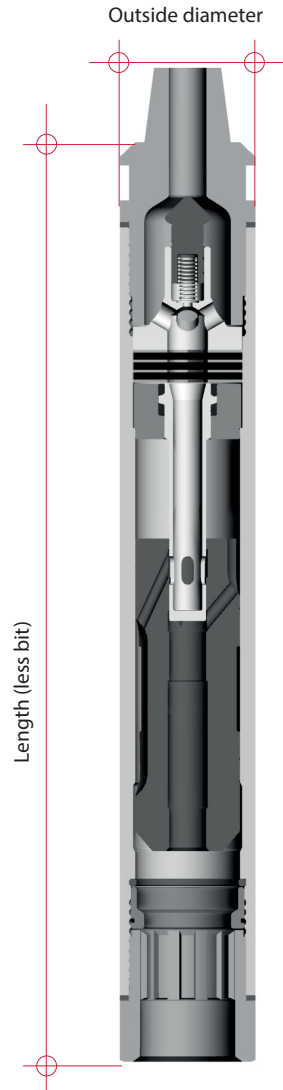
HYPER 101

Hammer 254 mm (10") - 305 mm (12") dia. Holes

The Hyper 101 Hammer is designed to operate over a wide range of operating air pressures. A 65/8" API reg. pin backhead is supplied as standard. The Hyper 101 is fitted with a positive seating water check valve and is supplied as standard fitted with a solid choke. The Hyper 101 is designed to accept button bits with a N100 shank. However, the Hyper 101 can be supplied to accept the SD10 type of button bit.

Component parts

| Ref | Description | Part number |
|-----|--|-----------------|
| 1 | Backhead | HSH1013880M |
| 2 | Check valve | HSH10108 |
| 3 | Check valve spring | HSH10110 |
| 4 | Diverter | HSH10120 |
| 5 | Compression buffer | HSH10128 |
| 6 | Control tube holder | HSH10131 |
| 7 | Control tube buffers (2) | HSH10129 |
| 8 | Control tube | HSH10130 |
| 9 | Piston | HSH10103053 |
| 10 | Wearsleeve | HSH10100 |
| 11 | Piston retaining ring | HSH10132 |
| 12 | Bit retaining ring | HSH10137053 |
| 13 | Bit retaining ring 'O' ring | HSH10137A046 |
| 14 | Chuck | HSH10135053 |
| 15 | Breakout washer | HSH10126 |
| | Service Kit Hyper 101 incl.(3,5,7,13,15) | HSH101SERVKIT |
| | Repair Kit Hyper 101 incl.(2,3,5,7,11,12,13,14,15) | HSH101REPKIT |
| | Complete Hammer | BR101H01 |



Air consumption (Pressure at Compressor)

| PSI | BAR | m ³ /min | ft ³ /min |
|-----|------|---------------------|----------------------|
| 100 | 6.9 | 10.36 | 365.70 |
| 125 | 8.6 | 14.47 | 511.08 |
| 150 | 10.3 | 19.02 | 671.83 |
| 175 | 12.0 | 23.97 | 846.61 |
| 200 | 13.8 | 29.29 | 1034.35 |
| 225 | 15.5 | 34.95 | 1234.24 |
| 250 | 17.2 | 40.93 | 1445.55 |
| 275 | 19.0 | 47.23 | 1667.72 |
| 300 | 20.7 | 53.81 | 1900.23 |

Hammer specification

| | Imperial | Metric |
|-------------------|----------|---------|
| Weight (less bit) | 745 lbs | 338 kg |
| Length (less bit) | 62" | 1575 mm |
| Outside dia. | 8.86" | 225 mm |
| Piston weight | 150 lbs | 68 kg |



WELL DRILLING HAMMERS

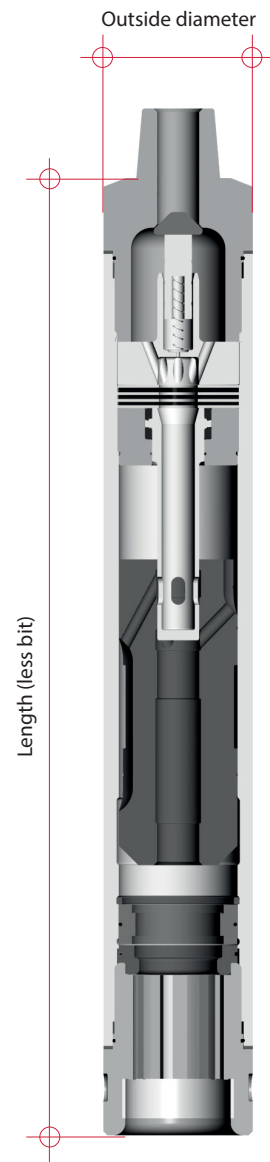
HYPER 121

Hammer 302 mm (11 $\frac{7}{8}$ ") - 445 mm (17 $\frac{1}{2}$ ") dia. Holes

The Hyper 121 Hammer is designed to operate over a wide range of operating air pressures. A 6 $\frac{5}{8}$ " API reg. pin backhead is supplied as standard. The Hyper 121 is fitted with a positive seating water check valve and is supplied as standard fitted with a solid choke. In addition to the standard N120 button bit, the hammer can easily be modified to accept button bits with Mission SD12 and Ingersoll Rand DHD112 shank design.

Component parts

| Ref | Description | Part number |
|-----|---|-----------------|
| 1 | Backhead | HSH1213880M |
| 2 | Backhead / Chuck 'O' Ring (2) | HSH12114 |
| 3 | Check Valve | HSH12108 |
| 4 | Check Valve Spring | HSH12110 |
| 5 | Diverter | HSH12120 |
| 6 | Compression Buffer | HSH12128 |
| 7 | Control Tube Holder | HSH12131 |
| 8 | Control Tube Buffers (2) | HSH12129 |
| 9 | Control Tube 'O' Ring | HSH12130A |
| 10 | Control Tube | HSH12130 |
| 11 | Piston | HSH12103050 |
| 12 | Wearsleeve | HSH12100 |
| 13 | Piston Retaining Rings (2) | HSH12132 |
| 14 | Bit Bearing | HSH12187 |
| 15 | Bit Retainer (pair) | HSH12137050 |
| 16 | Bit Retainer 'O' Ring | HSH12137AST |
| 17 | Chuck | HSH12135050 |
| 18 | Chuck Bearing | HSH12135050BE |
| 19 | Breakout washer backhead | HSH12126 |
| 20 | Breakout Washer chuck | HSH12125 |
| | Service Kit Hyper 121 incl. (2,4,6,8,9,16,19,20) | HSH121SERVKIT |
| | Repair Kit Hyper 121 incl.(2,3,4,6,8,9,13,15,16,17,19,20) | HSH121REPKIT |
| | Complete Hammer | BR121H01 |

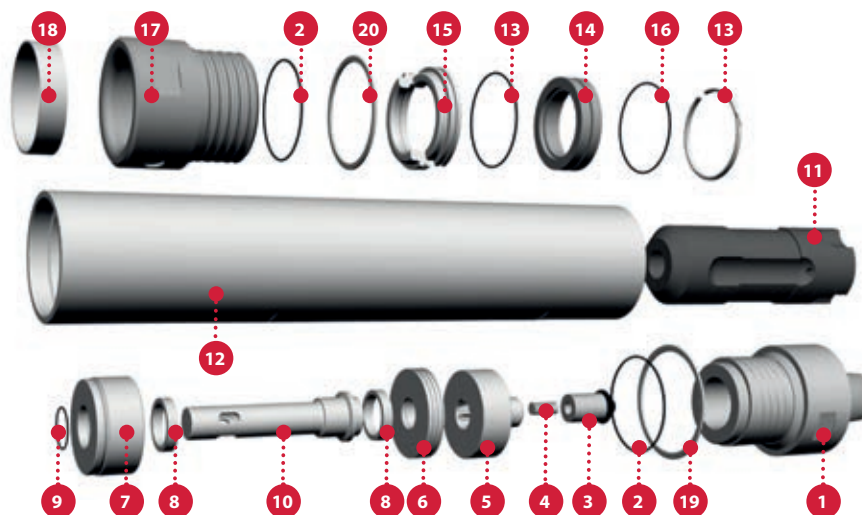


Air consumption (Pressure at Compressor)

| PSI | BAR | m ³ /min | ft ³ /min |
|-----|------|---------------------|----------------------|
| 100 | 6.9 | 16.8 | 592 |
| 150 | 10.3 | 30.8 | 1087 |
| 200 | 13.8 | 47.4 | 1674 |
| 250 | 17.2 | 66.2 | 2338 |

Hammer specification

| | Imperial | Metric |
|-------------------|----------|---------|
| Weight (less bit) | 1487 lbs | 675 kg |
| Length (less bit) | 74.4" | 1889 mm |
| Outside dia. | 10.7" | 272 mm |
| Piston weight | 275 lbs | 125 kg |



Notes



DTH HAMMERS

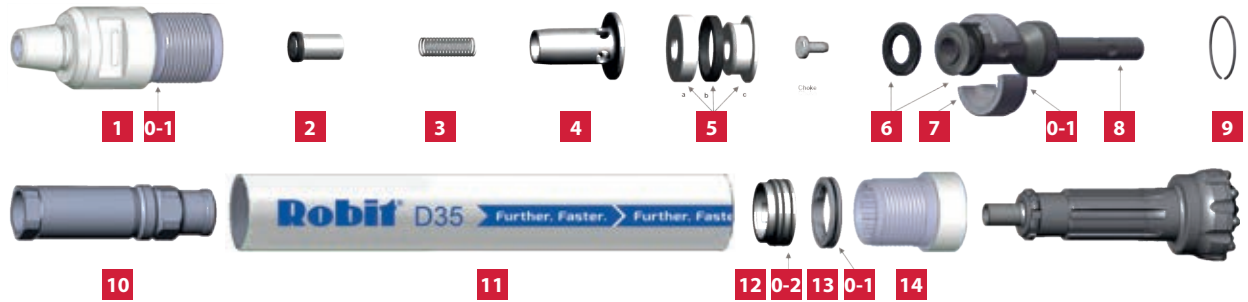
BLAST HOLE HAMMERS

| Hammer | Shank | Top sub thread options | Wear Sleeve O.D. | | Length | | Weight | Piston weight |
|--------|--------|------------------------|------------------|---------|--------|------|--------|---------------|
| | | | [mm] | [in] | [mm] | [in] | [kg] | [kg] |
| D35 | IR3.5 | 2 3/8 API REG | 85 | 3 3/8 | 863 | 34,0 | 27 | 5,3 |
| D45 | DHD340 | 2 3/8 API REG | 98 | 3 7/8 | 964 | 38,0 | 39 | 7,2 |
| D45 | DHD340 | 3 3/8 API REG | 102 | 4 | 964 | 38,0 | 43 | 7,2 |
| D45 | DHD340 | 2 7/8 API REG | 98 | 3 7/8 | 964 | 38,0 | 39 | 7,2 |
| D55 | QL50 | 3 1/2 API REG | 126 | 5 | 1121 | 44,1 | 76 | 14,6 |
| D65 | QL60 | 3 1/2 API REG | 146 | 5 3/4 | 1157 | 45,6 | 103 | 22,3 |
| D65 | QL60 | 3 1/2 API REG | 146 | 5 3/4 | 1157 | 45,6 | 103 | 22,3 |
| D65 | QL60 | 3 1/2 BECO | 146 | 5 3/4 | 1157 | 45,6 | 103 | 22,3 |
| D65 | QL60 | 3 1/2 API REG | 150 | 5 7/8 | 1157 | 45,6 | 115 | 22,3 |
| D75 | D75 | 4 1/2 API REG | 177 | 6 15/16 | 1235 | 48,6 | 169 | 39 |
| D84 | QL80 | 4 1/2 API REG | 183 | 7 3/16 | 1290 | 50,8 | 184 | 45 |
| D84 | QL80 | 4 1/2 BECO | 183 | 7 3/16 | 1290 | 50,8 | 184 | 45 |
| D88 | QL80 | 4 1/2 API REG | 194 | 7 5/8 | 1286 | 50,6 | 211 | 52 |



BLAST HOLE HAMMERS

D35 IR3.5 2³/₈" API REG



1102209 D35 IR3.5 2³/₈" API REG HAMMER ASSEMBLY

| | | |
|-----|---------|---|
| 1 | 1104328 | Top Sub 2 ³ / ₈ " API Reg Pin |
| 2 | 1104342 | Check Valve |
| 3 | 1042932 | Check Valve Spring |
| 4 | 1104776 | Check Valve Guide |
| 5 | 1280304 | Make Up Assembly (a, b, c) |
| 6 | 1204101 | Buffer Ring (x2) |
| 7 | 1102119 | Air Distributer Mount |
| 8 | 1104486 | Air Distributer (Blank Choke Fitted) |
| 9 | 1104497 | Locking Ring |
| 10 | 1102207 | Piston |
| 11 | 1102205 | Wear Sleeve |
| 12 | 1104487 | Guide Bush |
| 13 | 1102204 | Bit Retaining Ring |
| 14 | 1102201 | Chuck Tungsten Armoured |
| 15 | 1104329 | Choke Kit (Not Shown) |
| O-1 | | O Ring Location - Quantity |

Hammer Specifications

| | |
|----------------------|---|
| Bit Shank | IR3.5 |
| Bit Range | 3 ³ / ₄ " - 95mm to 4 ¹ / ₈ " - 105mm |
| Top Sub Thread | 2 ³ / ₈ " API Reg Pin |
| Spanner Flat | 2.51" - 64mm |
| Overall Length S/S | 34" - 863.5mm |
| Weight (less bit) | 60lbs - 27kg |
| Wear Sleeve O.D. | 3.34" - 85mm |
| Wear Sleeve O.D. min | 3.11" - 79mm |
| Oil Consumption | 1.0 - 1.5 litres per hour |

Air Pressure

Air Consumption

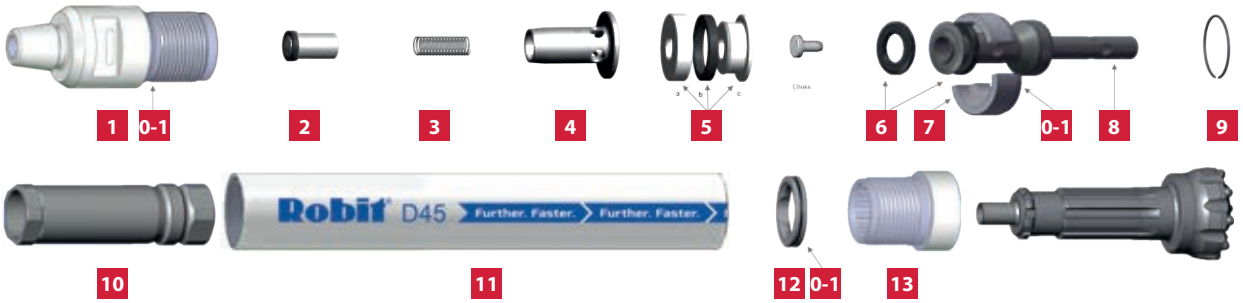
| PSI | bar | CFM | m ³ /min |
|-----|------|-----|---------------------|
| 100 | 6.9 | 133 | 3.7 |
| 250 | 17.2 | 360 | 10.2 |
| 300 | 20.7 | 444 | 12.6 |
| 350 | 24.1 | 520 | 14.7 |
| 400 | 27.5 | 612 | 17.3 |

Spare Parts

| | |
|---------|--|
| 1107747 | IR3.5 Foot Valve |
| 1270055 | O Ring Kit – Contains O rings for items 1, 7, 12, 13 |
| 1270056 | Make Up Kit – Contains items 5b, 6 and O Ring Kit |
| 1270048 | External Rebuild Kit – Contains items 1, 11, 14 and Make Up Kit |
| 1270049 | Internal Rebuild Kit – Contains items 2, 3, 4, 5, 6, 7, 8, 9, 10, 12, 13 |

BLAST HOLE HAMMERS

D45 DHD340 2 3/8" API REG



1054806 D45 DHD340 2 3/8" API REG HAMMER ASSY

| | | |
|-----|---------|--------------------------------------|
| 1 | 1054807 | Top Sub, 2 3/8" API Reg Pin |
| 2 | 1104342 | Check Valve |
| 3 | 1042932 | Check Valve Spring |
| 4 | 1104341 | Check Valve Guide |
| 5 | 1280297 | Make Up Assembly (a, b, c) |
| 6 | 1054809 | Buffer Ring (x2) |
| 7 | 1054810 | Air Distributer Mount |
| 8 | 1042930 | Air Distributer (Blank Choke Fitted) |
| 9 | 1053469 | Locking Ring |
| 10 | 1054811 | DHD340 Piston |
| 11 | 1242230 | Wear Sleeve |
| 12 | 1054813 | DHD340 Bit Retaining Ring |
| 13 | 1054814 | DHD340 Chuck Tungsten Armoured |
| 14 | 1104329 | Choke Kit (Not Shown) |
| O-1 | | O Ring Location - Quantity |

Hammer Specifications

| | |
|----------------------|------------------------------|
| Bit Shank | DHD340 |
| Bit Range | 4 1/4" - 108mm to 5" - 127mm |
| Top Sub Thread | 2 3/8" API Reg Pin |
| Spanner Flat | 2.55" - 65mm |
| Overall Length S/S | 38" - 964mm |
| Weight (less bit) | 86lbs - 39kg |
| Wear Sleeve O.D. | 3.85" - 98mm |
| Wear Sleeve O.D. min | 3.5" - 89mm |
| Oil Consumption | 1.5 - 2.0 litres per hour |

Air Pressure

Air Consumption

| PSI | bar | CFM | m ³ /min |
|-----|------|-----|---------------------|
| 100 | 6.9 | 138 | 3.9 |
| 150 | 10.3 | 222 | 6.3 |
| 200 | 13.8 | 299 | 8.5 |
| 250 | 17.2 | 374 | 10.6 |
| 300 | 20.7 | 449 | 12.7 |
| 350 | 24.1 | 524 | 14.8 |
| 400 | 27.6 | 599 | 17.0 |
| 450 | 31.0 | 673 | 19.1 |
| 500 | 34.5 | 748 | 21.2 |

Spare Parts

| | |
|---------|--|
| 1054816 | DHD340 Foot Valve |
| 1104361 | O Ring Kit – Contains O rings for items 1, 7, 12 |
| 1261404 | Make Up Kit – Contains items 5b, 6 and O Ring Kit |
| 1270050 | External Rebuild Kit – Contains items 1, 11, 13 and Make Up Kit |
| 1270052 | Internal Rebuild Kit – Contains items 2, 3, 4, 5, 6, 7, 8, 9, 10, 12 |

BLAST HOLE HAMMERS

D45 DHD340 2³/₈" API REG HD



1280356 D45 DHD340 2³/₈" API REG HEAVY DUTY ASSY

| | | |
|-----|---------|--------------------------------------|
| 1 | 1280354 | Top Sub HD, 2 3/8" API Reg Pin |
| 2 | 1104342 | Check Valve |
| 3 | 1042932 | Check Valve Spring |
| 4 | 1104341 | Check Valve Guide |
| 5 | 1280297 | Make Up Assembly (a, b, c) |
| 6 | 1054809 | Buffer Ring (x2) |
| 7 | 1054810 | Air Distributer Mount |
| 8 | 1042930 | Air Distributer (Blank Choke Fitted) |
| 9 | 1053469 | Locking Ring |
| 10 | 1054811 | DHD340 Piston |
| 11 | 1280353 | Wear Sleeve HD |
| 12 | 1054813 | DHD340 Bit Retaining Ring |
| 13 | 1280352 | DHD340 Chuck Tungsten Armoured |
| 14 | 1104329 | Choke Kit (Not Shown) |
| O-1 | | O Ring Location - Quantity |

Hammer Specifications

| | |
|----------------------|------------------------------|
| Bit Shank | DHD340 |
| Bit Range | 4 1/4" - 108mm to 5" - 127mm |
| Top Sub Thread | 2 7/8" API Reg Pin |
| Spanner Flat | 2.55" - 65mm |
| Overall Length S/S | 38" - 964mm |
| Weight (less bit) | 95lbs - 43kg |
| Wear Sleeve O.D. | 4.02" - 102mm |
| Wear Sleeve O.D. min | 3.5" - 89mm |
| Oil Consumption | 1.5 - 2.0 litres per hour |

Air Pressure

Air Consumption

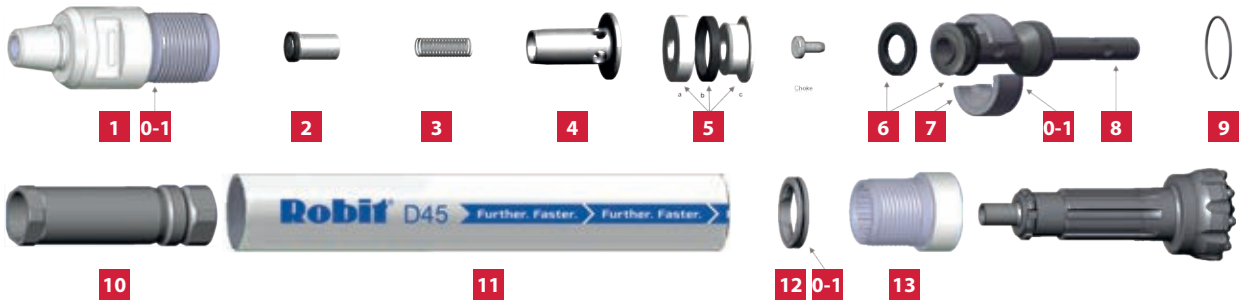
| PSI | bar | CFM | m ³ /min |
|-----|------|-----|---------------------|
| 100 | 6.9 | 138 | 3.9 |
| 150 | 10.3 | 222 | 6.3 |
| 200 | 13.8 | 299 | 8.5 |
| 250 | 17.2 | 374 | 10.6 |
| 300 | 20.7 | 449 | 12.7 |
| 350 | 24.1 | 524 | 14.8 |
| 400 | 27.6 | 599 | 17.0 |
| 450 | 31.0 | 673 | 19.1 |
| 500 | 34.5 | 748 | 21.2 |

Spare Parts

| | |
|---------|--|
| 1054816 | DHD340 Foot Valve |
| 1104361 | O Ring Kit – Contains O rings for items 1, 7, 12 |
| 1261404 | Make Up Kit – Contains items 5b, 6 and O Ring Kit |
| 1270051 | External Rebuild Kit – Contains items 1, 11, 13 and Make Up Kit |
| 1270052 | Internal Rebuild Kit – Contains items 2, 3, 4, 5, 6, 7, 8, 9, 10, 12 |

BLAST HOLE HAMMERS

D45 DHD340 2 7/8" API REG



1057323 D45 DHD340 2 7/8" API REG HAMMER ASSY

| | | |
|-----|---------|--------------------------------------|
| 1 | 1104349 | Top Sub, 2 7/8" API Reg Pin |
| 2 | 1104342 | Check Valve |
| 3 | 1042932 | Check Valve Spring |
| 4 | 1104341 | Check Valve Guide |
| 5 | 1280297 | Make Up Assembly (a, b, c) |
| 6 | 1054809 | Buffer Ring (x2) |
| 7 | 1054810 | Air Distributer Mount |
| 8 | 1042930 | Air Distributer (Blank Choke Fitted) |
| 9 | 1053469 | Locking Ring |
| 10 | 1054811 | DHD340 Piston |
| 11 | 1242230 | Wear Sleeve |
| 12 | 1054813 | DHD340 Bit Retaining Ring |
| 13 | 1054814 | DHD340 Chuck Tungsten Armoured |
| 14 | 1104329 | Choke Kit (Not Shown) |
| O-1 | | O Ring Location - Quantity |

Hammer Specifications

| | |
|----------------------|------------------------------|
| Bit Shank | DHD340 |
| Bit Range | 4 1/4" - 108mm to 5" - 127mm |
| Top Sub Thread | 2 7/8" API Reg Pin |
| Spanner Flat | 2.55" - 65mm |
| Overall Length S/S | 38" - 964mm |
| Weight (less bit) | 86lbs - 39kg |
| Wear Sleeve O.D. | 3.85" - 98mm |
| Wear Sleeve O.D. min | 3.5" - 89mm |
| Oil Consumption | 1.5 - 2.0 litres per hour |

Air Pressure

Air Consumption

| PSI | bar | CFM | m ³ /min |
|-----|------|-----|---------------------|
| 100 | 6.9 | 138 | 3.9 |
| 150 | 10.3 | 222 | 6.3 |
| 200 | 13.8 | 299 | 8.5 |
| 250 | 17.2 | 374 | 10.6 |
| 300 | 20.7 | 449 | 12.7 |
| 350 | 24.1 | 524 | 14.8 |
| 400 | 27.6 | 599 | 17.0 |
| 450 | 31.0 | 673 | 19.1 |
| 500 | 34.5 | 748 | 21.2 |

Spare Parts

| | |
|---------|--|
| 1054816 | DHD340 Foot Valve |
| 1104361 | O Ring Kit – Contains O rings for items 1, 7, 12 |
| 1261404 | Make Up Kit – Contains items 5b, 6 and O Ring Kit |
| 1270051 | External Rebuild Kit – Contains items 1, 11, 13 and Make Up Kit |
| 1270052 | Internal Rebuild Kit – Contains items 2, 3, 4, 5, 6, 7, 8, 9, 10, 12 |

BLAST HOLE HAMMERS

D55 QL50 3 1/2" API REG



1054773 D55 QL50 3 1/2" API REG HAMMER ASSEMBLY

| | | |
|-----|---------|------------------------------|
| 1 | 1072824 | Top Sub 3 1/2" API Reg Pin |
| 2 | 1072823 | Check Valve |
| 3 | 1104897 | Check Valve Spring |
| 4 | 1104896 | Check Valve Guide |
| 5 | 1280283 | Make Up Assembly (a, b, c) |
| 6 | 1054777 | Buffer Ring (x2) |
| 7 | 1062576 | Air Distributer Mount |
| 8 | 1104891 | Air Distributer |
| 9 | 1104890 | Locking Ring |
| 10 | 1062572 | QL50 Piston |
| 11 | 1104889 | Wear Sleeve |
| 12 | 1067965 | QL50 Guide Bush |
| 13 | 1054776 | QL50 Bit Retaining Ring |
| 14 | 1054775 | QL50 Chuck Tungsten Armoured |
| O-1 | | O Ring Location - Quantity |

Hammer Specifications

| | |
|----------------------|------------------------------|
| Bit Shank | QL50 |
| Bit Range | 5 1/2" - 140mm to 6" - 152mm |
| Top Sub Thread | 3 1/2" API Reg Pin |
| Spanner Flat | 3.72" - 94.6mm x 1.96" 50mm |
| Overall Length S/S | 44.13" - 1121mm |
| Weight (less bit) | 168lbs - 76kg |
| Wear Sleeve O.D. | 4.96" - 126mm |
| Wear Sleeve O.D. min | 4.52" - 115mm |
| Oil Consumption | 2 - 2.5 litres per hour |

Air Pressure

Air Consumption

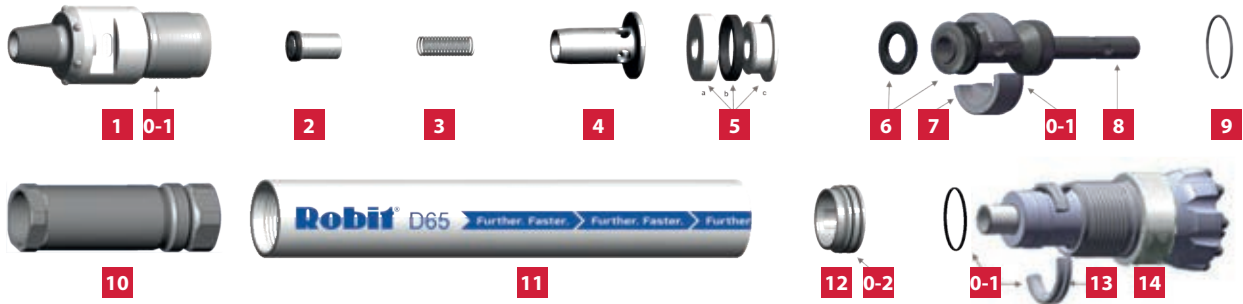
| PSI | bar | CFM | m ³ /min |
|-----|------|------|---------------------|
| 100 | 6.9 | 188 | 5.3 |
| 150 | 10.3 | 331 | 9.4 |
| 200 | 13.8 | 439 | 12.4 |
| 250 | 17.2 | 548 | 15.5 |
| 300 | 20.7 | 667 | 18.9 |
| 350 | 24.1 | 826 | 23.4 |
| 400 | 27.6 | 985 | 27.9 |
| 450 | 31.0 | 1144 | 32.4 |
| 500 | 34.5 | 1303 | 36.9 |

Spare Parts

| | |
|---------|--|
| 1054116 | QL50 Foot Valve |
| 1072825 | O Ring Kit – Contains O rings for items 1, 7, 12, 13 |
| 1106356 | Make Up Kit – Contains items 5b, 6 and O Ring Kit |
| 1062535 | External Rebuild Kit – Contains items 1, 11, 14 and Make Up Kit |
| 1270053 | Internal Rebuild Kit – Contains items 2, 3, 4, 5, 6, 7, 8, 9, 10, 12, 13 |

BLAST HOLE HAMMERS

D65 QL6 3 1/2" API REG



1280125 D65 QL60 3 1/2" API REG HAMMER ASSEMBLY

| | | |
|-----|---------|------------------------------|
| 1 | 1280126 | Top Sub |
| 2 | 1106859 | Check Valve |
| 3 | 1280194 | Check Valve Spring |
| 4 | 1280202 | Check Valve Guide |
| 5 | 9001005 | Make Up Assembly (a, b, c) |
| 6 | 1062562 | Buffer Ring (x2) |
| 7 | 1106853 | Air Distributer Mount |
| 8 | 1062538 | Air Distributer |
| 9 | 1106393 | Locking Ring |
| 10 | 1065711 | QL60 Piston |
| 11 | 1065708 | Wear Sleeve |
| 12 | 1065709 | QL60 Guide Bush |
| 13 | 1062537 | QL60 Bit Retaining Ring |
| 14 | 1065706 | QL60 Chuck Tungsten Armoured |
| O-1 | | O Ring Location - Quantity |

Hammer Specifications

| | |
|----------------------|----------------------------------|
| Bit Shank | QL60 |
| Bit Range | 6 1/4" - 159mm to 6 3/4" - 171mm |
| Top Sub Thread | 3 1/2" API Reg Pin |
| Spanner Flat | 3.97" - 101mm x 1.96" 50mm |
| Overall Length S/S | 45.54" - 1156.80mm |
| Weight (less bit) | 227lbs - 103kg |
| Wear Sleeve O.D. | 5.75" - 146mm |
| Wear Sleeve O.D. min | 5.20" - 132mm |
| Oil Consumption | 2.5 litres per hour |

Air Pressure

Air Consumption

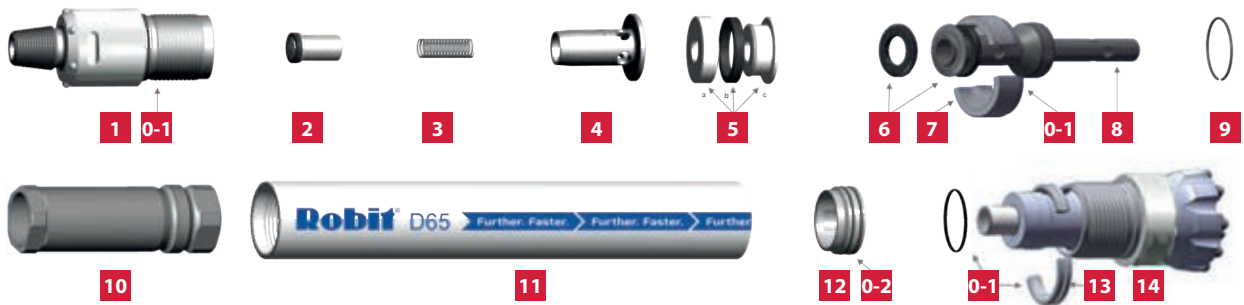
| PSI | bar | CFM | m ³ /min |
|-----|------|------|---------------------|
| 100 | 6.9 | 132 | 3.7 |
| 150 | 10.3 | 295 | 8.3 |
| 200 | 13.8 | 457 | 12.9 |
| 250 | 17.2 | 643 | 18.2 |
| 300 | 20.7 | 855 | 24.2 |
| 350 | 24.1 | 1041 | 29.5 |
| 400 | 27.6 | 1227 | 34.7 |
| 450 | 31.0 | 1413 | 40.0 |
| 500 | 34.5 | 1600 | 45.3 |

Spare Parts

| | |
|---------|--|
| 1077772 | QL60 Foot Valve |
| 1106879 | O Ring Kit – Contains O rings for items 1, 7, 12, 13 |
| 1106880 | Make Up Kit – Contains items 5b, 6 and O Ring Kit |
| 1280288 | External Rebuild Kit – Contains items 1, 11, 14 and Make Up Kit |
| 1270054 | Internal Rebuild Kit – Contains items 2, 3, 4, 5, 6, 7, 8, 9, 10, 12, 13 |

BLAST HOLE HAMMERS

D65 QL6 3 1/2" API REG



1023290 D65 QL60 3 1/2" API REG NO SPANNER FLATS

| | | |
|-----|---------|------------------------------|
| 1 | 1106875 | Top Sub |
| 2 | 1106859 | Check Valve |
| 3 | 1280194 | Check Valve Spring |
| 4 | 1280202 | Check Valve Guide |
| 5 | 9001005 | Make Up Assembly (a, b, c) |
| 6 | 1062562 | Buffer Ring (x2) |
| 7 | 1106853 | Air Distributer Mount |
| 8 | 1062538 | Air Distributer |
| 9 | 1106393 | Locking Ring |
| 10 | 1065711 | QL60 Piston |
| 11 | 1065708 | Wear Sleeve |
| 12 | 1065709 | QL60 Guide Bush |
| 13 | 1062537 | QL60 Bit Retaining Ring |
| 14 | 1065706 | QL60 Chuck Tungsten Armoured |
| O-1 | | O Ring Location - Quantity |

Hammer Specifications

| | |
|----------------------|----------------------------------|
| Bit Shank | QL60 |
| Bit Range | 6 1/4" - 159mm to 6 3/4" - 171mm |
| Top Sub Thread | 3 1/2" API Reg Pin |
| Spanner Flat | N/A |
| Overall Length S/S | 45.54" - 1156.80mm |
| Weight (less bit) | 227lbs - 103kg |
| Wear Sleeve O.D. | 5.75" - 146mm |
| Wear Sleeve O.D. min | 5.20" - 132mm |
| Oil Consumption | 2.5 litres per hour |

Air Pressure

Air Consumption

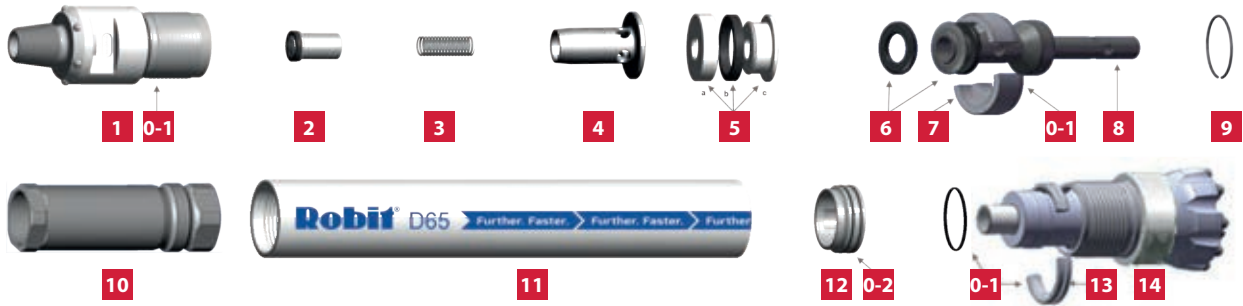
| PSI | bar | CFM | m ³ /min |
|-----|------|------|---------------------|
| 100 | 6.9 | 132 | 3.7 |
| 150 | 10.3 | 295 | 8.3 |
| 200 | 13.8 | 457 | 12.9 |
| 250 | 17.2 | 643 | 18.2 |
| 300 | 20.7 | 855 | 24.2 |
| 350 | 24.1 | 1041 | 29.5 |
| 400 | 27.6 | 1227 | 34.7 |
| 450 | 31.0 | 1413 | 40.0 |
| 500 | 34.5 | 1600 | 45.3 |

Spare Parts

| | |
|---------|--|
| 1077772 | QL60 Foot Valve |
| 1106879 | O Ring Kit – Contains O rings for items 1, 7, 12, 13 |
| 1106880 | Make Up Kit – Contains items 5b, 6 and O Ring Kit |
| 1067238 | External Rebuild Kit – Contains items 1, 11, 14 and Make Up Kit |
| 1270054 | Internal Rebuild Kit – Contains items 2, 3, 4, 5, 6, 7, 8, 9, 10, 12, 13 |

BLAST HOLE HAMMERS

D65 QL6 3 1/2" API REG HEAVY DUTY



1280180 D65 QL60 3 1/2" API REG HEAVY DUTY ASSY

| | | |
|-----|---------|---------------------------------|
| 1 | 1280181 | Top Sub HD |
| 2 | 1106859 | Check Valve |
| 3 | 1280194 | Check Valve Spring |
| 4 | 1280202 | Check Valve Guide |
| 5 | 9001005 | Make Up Assembly (a, b, c) |
| 6 | 1062562 | Buffer Ring (x2) |
| 7 | 1106853 | Air Distributer Mount |
| 8 | 1062538 | Air Distributer |
| 9 | 1106393 | Locking Ring |
| 10 | 1065711 | QL60 Piston |
| 11 | 1280179 | Wear Sleeve Heavy Duty |
| 12 | 1065709 | QL60 Guide Bush |
| 13 | 1062537 | QL60 Bit Retaining Ring |
| 14 | 1280178 | QL60 Chuck HD Tungsten Armoured |
| O-1 | | O Ring Location - Quantity |

Hammer Specifications

| | |
|----------------------|----------------------------------|
| Bit Shank | QL60 |
| Bit Range | 6 1/2" - 165mm to 6 3/4" - 171mm |
| Top Sub Thread | 3 1/2" API Reg Pin |
| Spanner Flat | 3.97" - 101mm x 1.96" 50mm |
| Overall Length S/S | 45.54" - 1156.80mm |
| Weight (less bit) | 254lbs - 115kg |
| Wear Sleeve O.D. | 5.90" - 150mm |
| Wear Sleeve O.D. min | 5.20" - 132mm |
| Oil Consumption | 2.5 litres per hour |

Air Pressure

Air Consumption

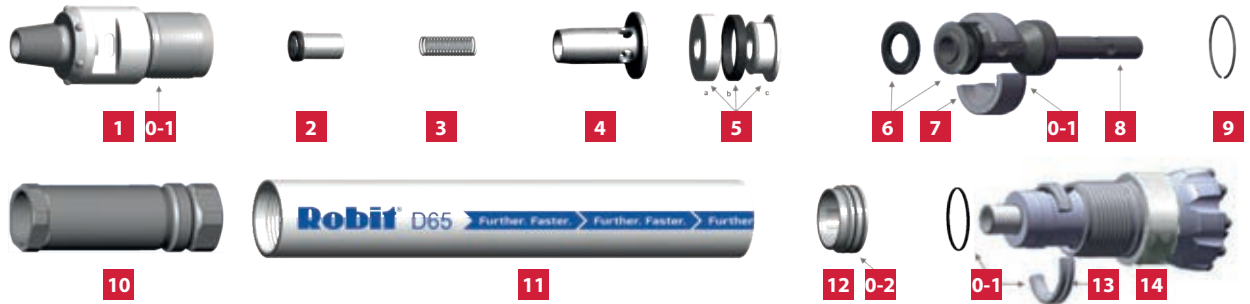
| PSI | bar | CFM | m ³ /min |
|-----|------|------|---------------------|
| 100 | 6.9 | 132 | 3.7 |
| 150 | 10.3 | 295 | 8.3 |
| 200 | 13.8 | 457 | 12.9 |
| 250 | 17.2 | 643 | 18.2 |
| 300 | 20.7 | 855 | 24.2 |
| 350 | 24.1 | 1041 | 29.5 |
| 400 | 27.6 | 1227 | 34.7 |
| 450 | 31.0 | 1413 | 40.0 |
| 500 | 34.5 | 1600 | 45.3 |

Spare Parts

| | |
|---------|--|
| 1077772 | QL60 Foot Valve |
| 1106879 | O Ring Kit – Contains O rings for items 1, 7, 12, 13 |
| 1106880 | Make Up Kit – Contains items 5b, 6 and O Ring Kit |
| 1280193 | External Rebuild Kit – Contains items 1, 11, 14 and Make Up Kit |
| 1270054 | Internal Rebuild Kit – Contains items 2, 3, 4, 5, 6, 7, 8, 9, 10, 12, 13 |

BLAST HOLE HAMMERS

D65 QL6 3 1/2" BECO



1280147 D65 QL60 3 1/2" BECO HAMMER ASSEMBLY

| | | |
|-----|---------|------------------------------|
| 1 | 1280148 | Top Sub |
| 2 | 1106859 | Check Valve |
| 3 | 1280194 | Check Valve Spring |
| 4 | 1280202 | Check Valve Guide |
| 5 | 9001005 | Make Up Assembly (a, b, c) |
| 6 | 1062562 | Buffer Ring (x2) |
| 7 | 1106853 | Air Distributer Mount |
| 8 | 1062538 | Air Distributer |
| 9 | 1106393 | Locking Ring |
| 10 | 1065711 | QL60 Piston |
| 11 | 1065708 | Wear Sleeve |
| 12 | 1065709 | QL60 Guide Bush |
| 13 | 1062537 | QL60 Bit Retaining Ring |
| 14 | 1065706 | QL60 Chuck Tungsten Armoured |
| O-1 | | O Ring Location - Quantity |

Hammer Specifications

| | |
|----------------------|----------------------------------|
| Bit Shank | QL60 |
| Bit Range | 6 1/4" - 159mm to 6 3/4" - 171mm |
| Top Sub Thread | 3 1/2" API Beco Pin |
| Spanner Flat | 3.97" - 101mm x 1.96" 50mm |
| Overall Length S/S | 45.54" - 1156.80mm |
| Weight (less bit) | 227lbs - 103kg |
| Wear Sleeve O.D. | 5.75" - 146mm |
| Wear Sleeve O.D. min | 5.20" - 132mm |
| Oil Consumption | 2.5 litres per hour |

Air Pressure

Air Consumption

| PSI | bar | CFM | m ³ /min |
|-----|------|------|---------------------|
| 100 | 6.9 | 132 | 3.7 |
| 150 | 10.3 | 295 | 8.3 |
| 200 | 13.8 | 457 | 12.9 |
| 250 | 17.2 | 643 | 18.2 |
| 300 | 20.7 | 855 | 24.2 |
| 350 | 24.1 | 1041 | 29.5 |
| 400 | 27.6 | 1227 | 34.7 |
| 450 | 31.0 | 1413 | 40.0 |
| 500 | 34.5 | 1600 | 45.3 |

Spare Parts

| | |
|---------|--|
| 1077772 | QL60 Foot Valve |
| 1106879 | O Ring Kit – Contains O rings for items 1, 7, 12, 13 |
| 1106880 | Make Up Kit – Contains items 5b, 6 and O Ring Kit |
| | External Rebuild Kit – Contains items 1, 11, 14 and Make Up Kit |
| 1270054 | Internal Rebuild Kit – Contains items 2, 3, 4, 5, 6, 7, 8, 9, 10, 12, 13 |

BLAST HOLE HAMMERS

D75 D75 4 1/2" API REG



1261110 D75 D75 4 1/2" API REG HAMMER ASSEMBLY

| | | |
|-----|---------|-----------------------------|
| 1 | 1016402 | Check Valve Screen Retainer |
| 2 | 1016401 | Check Valve Screen |
| 3 | 1016403 | Check Valve |
| 4 | 1016404 | Check Valve Spring |
| 5 | 1020822 | Top Sub Assembly |
| 6 | 1016400 | Breakout Ring |
| 7 | 1016397 | D75 Piston |
| 8 | 1020823 | Wear Sleeve Heavy Duty |
| 9 | 1016398 | Piston Retaining Ring |
| 10 | 1218179 | D75 Guide Bush |
| 11 | 1016400 | Breakout Ring |
| 12 | 1258180 | D75 Bit Retaining Ring |
| 13 | 1117836 | D75 Chuck Tungsten Armoured |
| O-1 | | O Ring Location - Quantity |

Hammer Specifications

| | |
|---------------------|---------------------------|
| Bit Shank | D75 |
| Bit Range | 8" - 203mm to 9" - 229mm |
| Top Sub Thread | 4 1/2" API Reg Pin |
| Spanner Flat | 5" - 127mm x 2.75" - 70mm |
| Overall Length S/S | 48.62" - 1235mm |
| Weight (less bit) | 373lbs - 169kg |
| Wear Sleeve O.D | 6.95" - 176.5mm |
| Reverse Wear Sleeve | 6.5" - 165mm |
| Wear Sleeve O.D min | 6.2" - 157.5mm |
| Oil Consumption | 2.5 litres per hour |

Air Pressure

Air Consumption

| PSI | bar | CFM | m ³ /min |
|-----|------|------|---------------------|
| 100 | 6.9 | 314 | 8.9 |
| 150 | 10.3 | 497 | 14.1 |
| 200 | 13.8 | 680 | 19.2 |
| 250 | 17.2 | 864 | 24.4 |
| 300 | 20.7 | 1050 | 29.7 |
| 350 | 24.1 | 1230 | 34.8 |
| 400 | 27.6 | 1450 | 35.5 |

Spare Parts

| | |
|---------|--|
| 1107744 | D75 Foot Valve |
| 1016406 | O Ring Kit – Contains O rings for items 2, 5, 10, 12 |
| | External Rebuild Kit – Contains items 5, 6, 8, 11, 13 |
| | Internal Rebuild Kit – Contains items 1, 2, 3, 4, 7, 9, 10, 12 |

BLAST HOLE HAMMERS

D84 QL80 4 1/2" API REG



1108020 D84 QL80 4 1/2" API REG HAMMER ASSEMBLY

| | | |
|-----|---------|---------------------------------|
| 1 | 1016402 | Check Valve Screen Retainer |
| 2 | 1016401 | Check Valve Screen |
| 3 | 1061460 | Check Valve |
| 4 | 1061459 | Check Valve Spring |
| 5 | 1104254 | Top Sub Assembly 4 1/2" API Reg |
| 6 | 1101540 | Breakout Ring |
| 7 | 1061458 | QL80 Piston |
| 8 | 1101539 | Wear Sleeve |
| 9 | 1101541 | Piston Retaining Ring |
| 10 | 1101537 | QL80 Guide Bush |
| 11 | 1101540 | Breakout Ring |
| 12 | 1061457 | QL80 Bit Retaining Ring |
| 13 | 1101536 | QL80 Chuck Standard |
| O-1 | | O Ring Location - Quantity |

Hammer Specifications

| | |
|---------------------|---------------------------|
| Bit Shank | QL80 |
| Bit Range | 8" - 203mm to 9" - 229mm |
| Top Sub Thread | 4 1/2" API Reg Pin |
| Spanner Flat | 5" - 127mm x 2.75" - 70mm |
| Overall Length S/S | 50.8" - 1290mm |
| Weight (less bit) | 406lbs - 184kg |
| Wear Sleeve O.D | 7.20" - 183mm |
| Reverse Wear Sleeve | 6.81" - 173mm |
| Wear Sleeve O.D min | 6.45" - 164mm |
| Oil Consumption | 2.5 litres per hour |

Air Pressure

Air Consumption

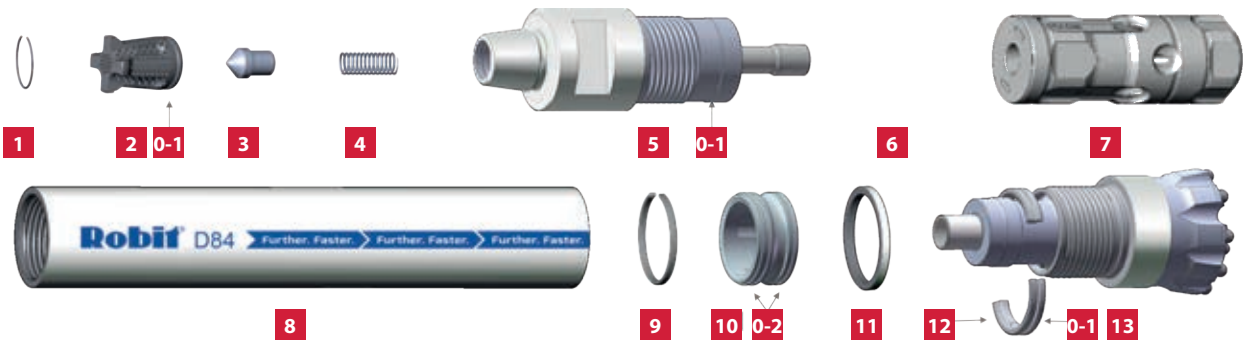
| PSI | bar | CFM | m ³ /min |
|-----|------|------|---------------------|
| 100 | 6.9 | 350 | 8.9 |
| 150 | 10.3 | 552 | 15.4 |
| 200 | 13.8 | 755 | 21.1 |
| 250 | 17.2 | 960 | 26.8 |
| 300 | 20.7 | 1166 | 32.6 |
| 350 | 24.1 | 1367 | 38.2 |
| 400 | 27.6 | 1611 | 45.1 |

Spare Parts

| | |
|---------|--|
| 1107750 | QL80 Foot Valve |
| 1061461 | O Ring Kit – Contains O rings for items 2, 5, 10, 12 |
| | External Rebuild Kit – Contains items 5, 6, 8, 11, 13 |
| | Internal Rebuild Kit – Contains items 1, 2, 3, 4, 7, 9, 10, 12 |

BLAST HOLE HAMMERS

D84 QL80 4½" BECO



1117319 D84 QL80 4½" BECO HAMMER ASSEMBLY

| | | |
|-----|---------|------------------------------|
| 1 | 1016402 | Check Valve Screen Retainer |
| 2 | 1016401 | Check Valve Screen |
| 3 | 1061460 | Check Valve |
| 4 | 1061459 | Check Valve Spring |
| 5 | 1221162 | Top Sub Assembly 4 ½" Beco |
| 6 | 1101540 | Breakout Ring |
| 7 | 1061458 | QL80 Piston |
| 8 | 1101539 | Wear Sleeve |
| 9 | 1101541 | Piston Retaining Ring |
| 10 | 1101537 | QL80 Guide Bush |
| 11 | 1101540 | Breakout Ring |
| 12 | 1061457 | QL80 Bit Retaining Ring |
| 13 | 1061456 | QL80 Chuck Tungsten Armoured |
| O-1 | | O Ring Location - Quantity |

Hammer Specifications

| | |
|---------------------|---------------------------|
| Bit Shank | QL80 |
| Bit Range | 8" - 203mm to 9" - 229mm |
| Top Sub Thread | 4 ½" Beco Pin |
| Spanner Flat | 5" - 127mm x 2.75" - 70mm |
| Overall Length S/S | 50.8" - 1290mm |
| Weight (less bit) | 406lbs - 184kg |
| Wear Sleeve O.D | 7.20" - 183mm |
| Reverse Wear Sleeve | 6.81" - 173mm |
| Wear Sleeve O.D min | 6.45" - 164mm |
| Oil Consumption | 2.5 litres per hour |

Air Pressure

Air Consumption

| PSI | bar | CFM | m³/min |
|-----|------|------|--------|
| 100 | 6.9 | 350 | 8.9 |
| 150 | 10.3 | 552 | 15.4 |
| 200 | 13.8 | 755 | 21.1 |
| 250 | 17.2 | 960 | 26.8 |
| 300 | 20.7 | 1166 | 32.6 |
| 350 | 24.1 | 1367 | 38.2 |
| 400 | 27.6 | 1611 | 45.1 |

Spare Parts

| | |
|---------|--|
| 1107750 | QL80 Foot Valve |
| 1061461 | O Ring Kit – Contains O rings for items 2, 5, 10, 12 |
| | External Rebuild Kit – Contains items 5, 6, 8, 11, 13 |
| | Internal Rebuild Kit – Contains items 1, 2, 3, 4, 7, 9, 10, 12 |

BLAST HOLE HAMMERS

D88 QL80 4 1/2" API REG



1066482 D88 QL80 4 1/2" API REG HAMMER ASSEMBLY

| | | |
|-----|---------|---------------------------------|
| 1 | 1016402 | Check Valve Screen Retainer |
| 2 | 1016401 | Check Valve Screen |
| 3 | 1061460 | Check Valve |
| 4 | 1061459 | Check Valve Spring |
| 5 | 1104279 | Top Sub Assembly 4 1/2" API Reg |
| 6 | 1104266 | Breakout Ring |
| 7 | 1061414 | QL80 Piston |
| 8 | 1104264 | Wear Sleeve |
| 9 | 1104273 | Piston Retaining Ring |
| 10 | 1104261 | QL80 Guide Bush |
| 11 | 1104266 | Breakout Ring |
| 12 | 1097056 | QL80 Bit Retaining Ring |
| 13 | 1104258 | QL80 Chuck Tungsten Armoured |
| O-1 | | O Ring Location - Quantity |

Hammer Specifications

| | |
|---------------------|----------------------------------|
| Bit Shank | QL80 |
| Bit Range | 8 1/2" - 216mm to 9 1/2" - 241mm |
| Top Sub Thread | 4 1/2" API Reg Pin |
| Spanner Flat | 5" - 127mm x 2.75" - 70mm |
| Overall Length S/S | 50.6" - 1286mm |
| Weight (less bit) | 465lbs - 211kg |
| Wear Sleeve O.D | 7.6" - 194mm |
| Reverse Wear Sleeve | 7.2" - 184mm (if required) |
| Wear Sleeve O.D min | 6.8" - 174mm |
| Oil Consumption | 2.5 litres per hour |

Air Pressure

Air Consumption

| PSI | bar | CFM | m ³ /min |
|-----|------|------|---------------------|
| 100 | 6.9 | 370 | 10.3 |
| 150 | 10.3 | 585 | 16.3 |
| 200 | 13.8 | 800 | 22.4 |
| 250 | 17.2 | 1016 | 28.4 |
| 300 | 20.7 | 1235 | 34.5 |
| 350 | 24.1 | 1447 | 40.5 |
| 400 | 27.6 | 1706 | 47.7 |

Spare Parts

| | |
|---------|--|
| 1107750 | QL80 Foot Valve |
| 1104288 | O Ring Kit – Contains O rings for items 2, 5, 10, 12 |
| 1280233 | External Rebuild Kit – Contains items 5, 6, 8, 11, 13 |
| | Internal Rebuild Kit – Contains items 1, 2, 3, 4, 7, 9, 10, 12 |



DTH HAMMERS

RC HAMMERS

| Hammer | Shank | Top sub thread options | Wear Sleeve O.D. | | Length | | Weight [kg] | Piston weight [kg] |
|-----------------|----------------|------------------------|------------------|------|--------|------|-------------|--------------------|
| | | | [mm] | [in] | [mm] | [in] | | |
| DR38 | DR38 | 3 ½" REMET | 95 | 3 ¾ | 886 | 34,9 | 30 | 5,5 |
| DR43 | DR43 | 3 ½" REMET | 107 | 4 ⅜ | 1105 | 43,5 | 46 | 10,2 |
| | | 4" REMET | 107 | 4 ⅜ | 1097 | 43,2 | 46 | 10,2 |
| | | 4" METZKE | 107 | 4 ⅜ | 1097 | 43,2 | 46 | 10,2 |
| DR44 | DR44 | 4" REMET | 121 | 4 ¾ | 1216 | 47,9 | 70 | 13,6 |
| | | 4" METZKE | 121 | 4 ¾ | 1216 | 47,9 | 70 | 13,6 |
| | | 4 ½" REMET | 121 | 4 ¾ | 1216 | 47,9 | 70 | 13,6 |
| DR53 | DR53 | 4 ½" REMET | 121 | 4 ¾ | 1226 | 48,3 | 68 | 14 |
| | | 4 ½" METZKE | 121 | 4 ¾ | 1226 | 48,3 | 68 | 14 |
| DR53 HEAVY DUTY | DR53 | 4 ½" METZKE | 126 | 5 | 1226 | 48,3 | 74 | 14 |
| DR53 RETENTION | DR53 RETENTION | 4 ½" REMET | 121 | 4 ¾ | 1269 | 50,0 | 68 | 14 |
| DR55 | DR55 | 4 ½" REMET | 130 | 5 ⅛ | 1252 | 49,3 | 81 | 16,5 |
| | | 4 ½" METZKE | 130 | 5 ⅛ | 1252 | 49,3 | 81 | 16,5 |
| DR55 RETENTION | DR55 RETENTION | 4 ½" REMET | 130 | 5 ⅛ | 1294 | 50,9 | 81 | 16,5 |
| | | 4 ½" METZKE | 130 | 5 ⅛ | 1294 | 50,9 | 81 | 16,5 |



RC HAMMERS

DR38 3 1/2" REMET



1043652 DR38 3 1/2" REMET HAMMER ASSEMBLY

| | | |
|-----|---------|---------------------------------|
| 1 | 1000891 | Circlip Internal |
| 2 | 1106899 | Adaptor Air Screen 3 1/2" Remet |
| 3 | 1044415 | Top Sub 3 1/2" Remet |
| 4 | 1044411 | Check Valve |
| 5 | 1106900 | Check Valve Spring |
| 6 | 1043640 | Adaptor Tube |
| 7 | 1044418 | Steel Make Up Ring |
| 8 | 1044419 | Make Up Ring |
| 9 | 1044421 | Distributor |
| 10 | 1043641 | Sample Tube Venturi |
| 11 | 1044422 | Sample Tube Mount |
| 12 | 1044423 | Inner Cylinder |
| 13 | 1031969 | Piston |
| 14 | 1043643 | Wear Sleeve |
| 15 | 1107024 | Piston Retaining Ring |
| 16 | 1044424 | Guide Bush |
| 17 | 1042513 | Bit Retaining Ring |
| 18 | 1043646 | Chuck Sleeve 3 15/16" |
| 19 | 1043650 | Chuck |
| O-1 | | O Ring Location – Quantity |

Hammer Specifications

| | |
|--------------------|-----------------------------------|
| Bit Shank | DR38 |
| Bit Range | 4" - 102mm - to 4 1/2" - 114mm |
| Top Sub Thread | 3 1/2" Remet |
| Spanner Flat | 3.16" - 80.5mm A/F x 1.96" - 50mm |
| Overall Length S/S | 34.9" - 886mm |
| Weight (less bit) | 66lbs. - 30kg |
| Wear Sleeve O.D. | 3.74" - 95mm |
| Oil Consumption | 1.5 - 2.0 litres per hour |

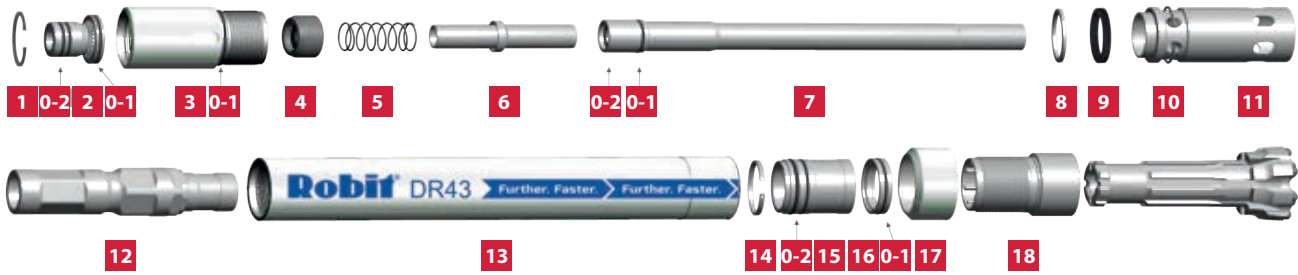
Air Pressure

Air Consumption

| PSI | bar | CFM | m ³ /min |
|-----|------|-----|---------------------|
| 150 | 10.3 | 260 | 7.3 |
| 220 | 15.3 | 320 | 9.0 |
| 250 | 17.2 | 377 | 10.7 |
| 300 | 20.7 | 459 | 13 |
| 350 | 24.1 | 544 | 15.4 |
| 400 | 27.5 | 627 | 17.8 |

Spare Parts

| | |
|---------|--|
| 1050386 | O Ring Kit – Contains O Rings for items 2, 9, 10, 11, 16, 17 |
| 1050385 | Make Up Kit – Contains O Ring Kit plus inner seal for 4 and item 8 |
| 1256709 | Sample Tube Standard |



1270069 DR43 3 1/2" REMET HAMMER ASSEMBLY

| | | |
|-----|---------|---------------------------------|
| 1 | 1000892 | Circlip Internal |
| 2 | 1270077 | Adaptor Air Screen 3 1/2" Remet |
| 3 | 1270073 | Top Sub 3 1/2" Remet |
| 4 | 1270079 | Check Valve |
| 5 | 1270080 | Check Valve Spring |
| 6 | 1270078 | Adaptor Tube |
| 7 | 1270086 | Sample Tube Venturi |
| 8 | 1270083 | Steel Make Up Ring |
| 9 | 1270082 | Make Up Ring |
| 10 | 1270089 | Inner Cylinder Retaining Ring |
| 11 | 1270088 | Inner Cylinder |
| 12 | 1270090 | Piston |
| 13 | 1270087 | Wear Sleeve |
| 14 | 1270091 | Piston Retaining Ring |
| 15 | 1270092 | Guide Bush |
| 16 | 1270093 | Bit Retaining Ring |
| 17 | 1270105 | Chuck Sleeve 4 13/16" |
| 18 | 1270094 | Chuck |
| O-1 | | O Ring Location - Quantity |

Hammer Specifications

| | |
|--------------------|----------------------------------|
| Bit Shank | DR43 |
| Bit Range | 4 5/8" - 117mm to 5 1/8" - 130mm |
| Top Sub Thread | 3 1/2" Remet |
| Spanner Flat | N/A |
| Overall Length S/S | 43.5" - 1105mm |
| Weight (less bit) | 100.8lbs. – 45.7kg |
| Wear Sleeve O.D. | 4.21" - 107mm |
| Oil Consumption | 2 - 3 litres per hour |

Air Pressure

Air Consumption

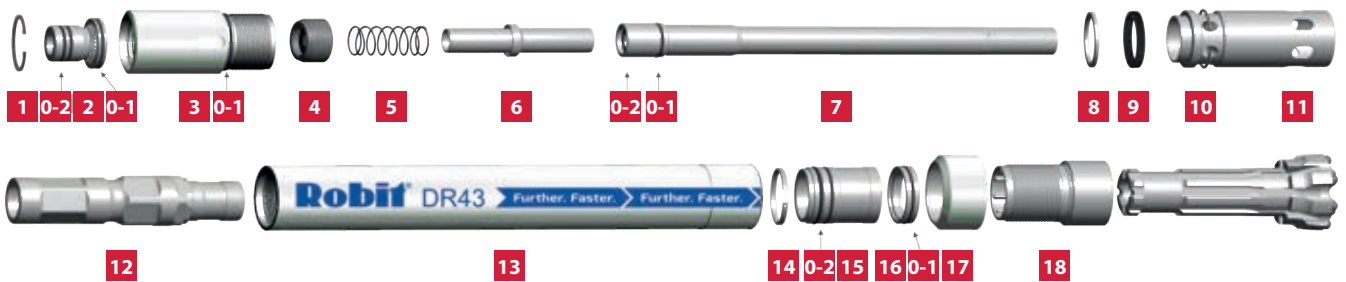
| PSI | bar | CFM | m ³ /min |
|-----|------|-----|---------------------|
| 150 | 10.3 | 300 | 8.4 |
| 200 | 13.8 | 340 | 9.5 |
| 250 | 17.2 | 415 | 11.7 |
| 300 | 20.7 | 504 | 14.2 |
| 350 | 24.1 | 585 | 16.5 |
| 400 | 27.5 | 670 | 18.8 |

Spare Parts

| | |
|---------|--|
| 1270108 | O Ring Kit – Contains O Rings for items 2, 3, 7, 15, 16 |
| 1270109 | Make Up Kit – Contains O Ring Kit plus inner seal for 4 and item 9 |
| 1270085 | Sample Tube Standard |

RC HAMMERS

DR43 4" REMET



1270065 DR43 4" REMET HAMMER ASSEMBLY

| | | |
|-----|---------|-------------------------------|
| 1 | 1000895 | Circlip Internal |
| 2 | 1270075 | Adaptor Air Screen 4" Remet |
| 3 | 1270071 | Top Sub 4" Remet |
| 4 | 1270079 | Check Valve |
| 5 | 1270080 | Check Valve Spring |
| 6 | 1270078 | Adaptor Tube |
| 7 | 1270086 | Sample Tube Venturi |
| 8 | 1270083 | Steel Make Up Ring |
| 9 | 1270082 | Make Up Ring |
| 10 | 1270089 | Inner Cylinder Retaining Ring |
| 11 | 1270088 | Inner Cylinder |
| 12 | 1270090 | Piston |
| 13 | 1270087 | Wear Sleeve |
| 14 | 1270091 | Piston Retaining Ring |
| 15 | 1270092 | Guide Bush |
| 16 | 1270093 | Bit Retaining Ring |
| 17 | 1270105 | Chuck Sleeve 4 13/16" |
| 18 | 1270094 | Chuck |
| O-1 | | O Ring Location - Quantity |

Hammer Specifications

| | |
|--------------------|----------------------------------|
| Bit Shank | DR43 |
| Bit Range | 4 5/8" - 117mm to 5 1/8" - 130mm |
| Top Sub Thread | 4" Remet |
| Spanner Flat | N/A |
| Overall Length S/S | 43.5" - 1105mm |
| Weight (less bit) | 100.8lbs. – 45.7kg |
| Wear Sleeve O.D. | 4.21" - 107mm |
| Oil Consumption | 2 - 3 litres per hour |

Air Pressure

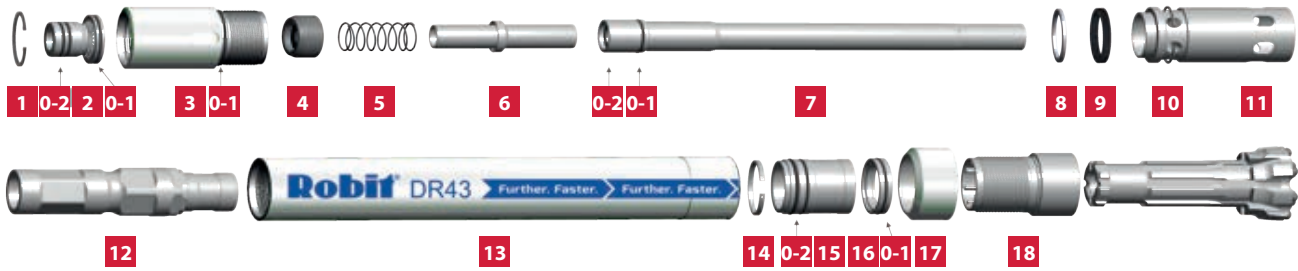
Air Consumption

| PSI | bar | CFM | m ³ /min |
|-----|------|-----|---------------------|
| 150 | 10.3 | 300 | 8.4 |
| 200 | 13.8 | 340 | 9.5 |
| 250 | 17.2 | 415 | 11.7 |
| 300 | 20.7 | 504 | 14.2 |
| 350 | 24.1 | 585 | 16.5 |
| 400 | 27.5 | 670 | 18.8 |

Spare Parts

| | |
|---------|--|
| 1270108 | O Ring Kit – Contains O Rings for items 2, 3, 7, 15, 16 |
| 1270109 | Make Up Kit – Contains O Ring Kit plus inner seal for 4 and item 9 |
| 1270085 | Sample Tube Standard |

DR43 4" REMET RETENTION



1280212 DR43 4" REMET RETENTION ASSEMBLY

| | | |
|-----|---------|---------------------------------|
| 1 | 1000895 | Circlip Internal |
| 2 | 1270075 | Adaptor Air Screen 4" Remet |
| 3 | 1270071 | Top Sub 4" Remet |
| 4 | 1270079 | Check Valve |
| 5 | 1270080 | Check Valve Spring |
| 6 | 1270078 | Adaptor Tube |
| 7 | 1270086 | Sample Tube Venturi |
| 8 | 1270083 | Steel Make Up Ring |
| 9 | 1270082 | Make Up Ring |
| 10 | 1270089 | Inner Cylinder Retaining Ring |
| 11 | 1270088 | Inner Cylinder |
| 12 | 1270090 | Piston |
| 13 | 1270087 | Wear Sleeve |
| 14 | 1270091 | Piston Retaining Ring |
| 15 | 1270092 | Guide Bush |
| 16 | 1270093 | Bit Retaining Ring |
| 17 | 1280218 | Chuck Sleeve 4 13/16" Retention |
| 18 | 1280213 | Chuck Retention |
| O-1 | | O Ring Location - Quantity |

Hammer Specifications

| | |
|--------------------|----------------------------------|
| Bit Shank | DR43 |
| Bit Range | 4 3/4" - 121mm to 5 1/8" - 130mm |
| Top Sub Thread | 4" Remet |
| Spanner Flat | N/A |
| Overall Length S/S | 43.5" - 1105mm |
| Weight (less bit) | 100.8lbs. – 45.7kg |
| Wear Sleeve O.D. | 4.21" - 107mm |
| Oil Consumption | 2 - 3 litres per hour |

Air Pressure

Air Consumption

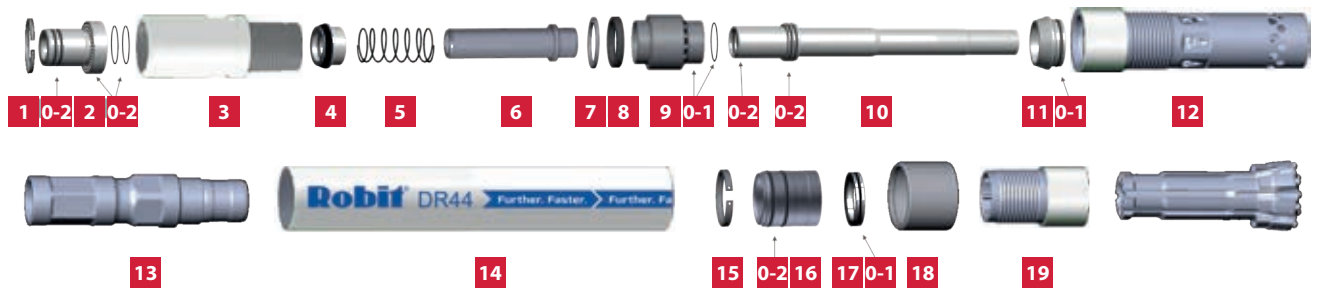
| PSI | bar | CFM | m ³ /min |
|-----|------|-----|---------------------|
| 150 | 10.3 | 300 | 8.4 |
| 200 | 13.8 | 340 | 9.5 |
| 250 | 17.2 | 415 | 11.7 |
| 300 | 20.7 | 504 | 14.2 |
| 350 | 24.1 | 585 | 16.5 |
| 400 | 27.5 | 670 | 18.8 |

Spare Parts

| | |
|---------|--|
| 1270108 | O Ring Kit – Contains O Rings for items 2, 3, 7, 15, 16 |
| 1270109 | Make Up Kit – Contains O Ring Kit plus inner seal for 4 and item 9 |
| 1270085 | Sample Tube Standard |

RC HAMMERS

DR44 4" REMET



1059546 DR44 4" REMET HAMMER ASSEMBLY

| | | |
|-----|---------|-----------------------------|
| 1 | 1000895 | Circlip Internal |
| 2 | 1107035 | Adaptor Air Screen 4" Remet |
| 3 | 1107041 | Top Sub 4" Remet |
| 4 | 1046940 | Check Valve |
| 5 | 9001056 | Check Valve Spring |
| 6 | 1043770 | Adaptor Tube |
| 7 | 1046943 | Steel Make Up Ring |
| 8 | 1046942 | Make Up Ring |
| 9 | 1066177 | Distributor |
| 10 | 1046945 | Sample Tube Venturi |
| 11 | 1107120 | Sample Tube Mount |
| 12 | 1046946 | Inner Cylinder 104.9mm A/F |
| 13 | 1046947 | Piston |
| 14 | 1046948 | Wear Sleeve |
| 15 | 1061501 | Piston Retaining Ring |
| 16 | 1046950 | Guide Bush |
| 17 | 1046951 | Bit Retaining Ring |
| 18 | 1046958 | Chuck Sleeve 5 3/16" |
| 19 | 1043771 | Chuck |
| O-1 | | O Ring Location - Quantity |

Hammer Specifications

| | |
|--------------------|--------------------------------|
| Bit Shank | DR44 |
| Bit Range | 5" - 127mm to 5 1/2" - 140mm |
| Top Sub Thread | 4" Remet |
| Spanner Flat | 3.7" - 94mm A/F x 1.96" - 50mm |
| Overall Length S/S | 47.9" - 1216mm |
| Weight (less bit) | 154lbs. - 70kg |
| Wear Sleeve O.D. | 4.76" - 121mm |
| Oil Consumption | 2 - 3 litres per hour |

Air Pressure

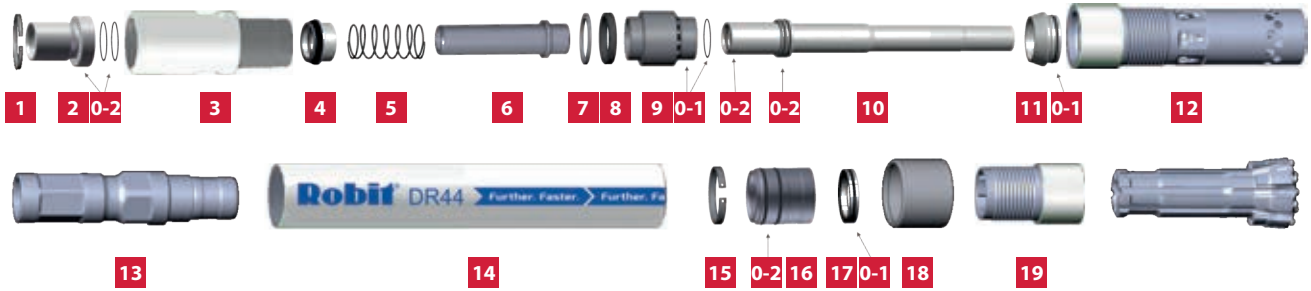
Air Consumption

| PSI | bar | CFM | m ³ /min |
|-----|------|-----|---------------------|
| 250 | 17.2 | 504 | 13.6 |
| 300 | 20.7 | 614 | 16.6 |
| 350 | 24.1 | 708 | 19.1 |
| 400 | 27.5 | 808 | 21.8 |
| 450 | 31 | 903 | 24.2 |
| 500 | 34.5 | 987 | 26.6 |

Spare Parts

| | |
|---------|--|
| 1071679 | O Ring Kit – Contains O Rings for items 2, 9, 10, 11, 16, 17 |
| 1059550 | Make Up Kit – Contains O Ring Kit plus inner seal for 4 and item 8 |
| 1046944 | Sample Tube Standard |

DR44 4" METZKE



1261532 DR44 4" METZKE HAMMER ASSEMBLY

| | | |
|-----|----------------------------|------------------------------|
| 1 | 1000895 | Circlip Internal |
| 2 | 1107037 | Adaptor Air Screen 4" Metzke |
| 3 | 1107040 | Top Sub 4" Metzke |
| 4 | 1046940 | Check Valve |
| 5 | 9001056 | Check Valve Spring |
| 6 | 1043770 | Adaptor Tube |
| 7 | 1046943 | Steel Make Up Ring |
| 8 | 1046942 | Make Up Ring |
| 9 | 1066177 | Distributor |
| 10 | 1046944 | Sample Tube |
| 11 | 1107120 | Sample Tube Mount |
| 12 | 1107122 | Inner Cylinder |
| 13 | 1046947 | Piston |
| 14 | 1046948 | Wear Sleeve |
| 15 | 1061501 | Piston Retaining Ring |
| 16 | 1046950 | Guide Bush |
| 17 | 1046951 | Bit Retaining Ring |
| 18 | 1046958 | Chuck Sleeve 5 3/16" |
| 19 | 1043771 | Chuck |
| O-1 | O Ring Location - Quantity | |

Hammer Specifications

| | |
|--------------------|--------------------------------|
| Bit Shank | DR44 |
| Bit Range | 5" - 127mm to 5 1/2" - 140mm |
| Top Sub Thread | 4" Metzke |
| Spanner Flat | 3.7" - 94mm A/F x 1.96" - 50mm |
| Overall Length S/S | 47.9" - 1216mm |
| Weight (less bit) | 154lbs. - 70kg |
| Wear Sleeve O.D. | 4.76" - 121mm |
| Oil Consumption | 2 - 3 litres per hour |

Air Pressure

Air Consumption

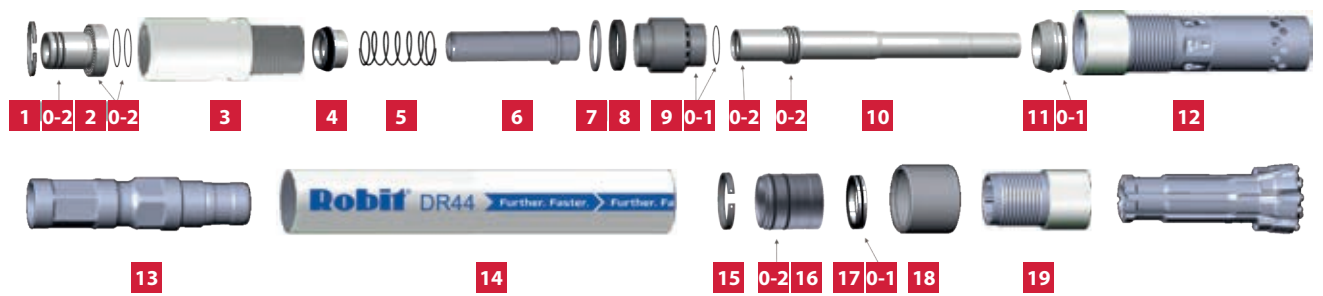
| PSI | bar | CFM | m ³ /min |
|-----|------|-----|---------------------|
| 250 | 17.2 | 504 | 13.6 |
| 300 | 20.7 | 614 | 16.6 |
| 350 | 24.1 | 708 | 19.1 |
| 400 | 27.5 | 808 | 21.8 |
| 450 | 31 | 903 | 24.2 |
| 500 | 34.5 | 987 | 26.6 |

Spare Parts

| | |
|---------|--|
| 1071679 | O Ring Kit – Contains O Rings for items 2, 9, 10, 11, 16, 17 |
| 1059550 | Make Up Kit – Contains O Ring Kit plus inner seal for 4 and item 8 |
| 1046945 | Sample Tube Venturi |

RC HAMMERS

DR44 4 1/2" REMET



1063065 DR44 4 1/2" REMET HAMMER ASSEMBLY

| | | |
|-----|---------|---------------------------------|
| 1 | 1000896 | Circlip Internal |
| 2 | 1084159 | Adaptor Air Screen 4 1/2" Remet |
| 3 | 1046939 | Top Sub 4 1/2" Remet |
| 4 | 1046940 | Check Valve |
| 5 | 9001056 | Check Valve Spring |
| 6 | 1043770 | Adaptor Tube |
| 7 | 1046943 | Steel Make Up Ring |
| 8 | 1046942 | Make Up Ring |
| 9 | 1066177 | Distributor |
| 10 | 1046945 | Sample Tube Venturi |
| 11 | 1107120 | Sample Tube Mount |
| 12 | 1046946 | Inner Cylinder 104.9mm A/F |
| 13 | 1046947 | Piston |
| 14 | 1046948 | Wear Sleeve |
| 15 | 1061501 | Piston Retaining Ring |
| 16 | 1046950 | Guide Bush |
| 17 | 1046951 | Bit Retaining Ring |
| 18 | 1046958 | Chuck Sleeve 5 3/16" |
| 19 | 1043771 | Chuck |
| O-1 | | O Ring Location - Quantity |

Hammer Specifications

| | |
|--------------------|--------------------------------|
| Bit Shank | DR44 |
| Bit Range | 5" - 127mm to 5 1/2" - 140mm |
| Top Sub Thread | 4 1/2" Remet |
| Spanner Flat | 3.7" - 94mm A/F x 1.96" - 50mm |
| Overall Length S/S | 47.9" - 1216mm |
| Weight (less bit) | 154lbs. - 70kg |
| Wear Sleeve O.D. | 4.76" - 121mm |
| Oil Consumption | 2 - 3 litres per hour |

Air Pressure

Air Consumption

| PSI | bar | CFM | m ³ /min |
|-----|------|-----|---------------------|
| 250 | 17.2 | 504 | 13.6 |
| 300 | 20.7 | 614 | 16.6 |
| 350 | 24.1 | 708 | 19.1 |
| 400 | 27.5 | 808 | 21.8 |
| 450 | 31 | 903 | 24.2 |
| 500 | 34.5 | 987 | 26.6 |

Spare Parts

| | |
|---------|--|
| 1071679 | O Ring Kit – Contains O Rings for items 2, 9, 10, 11, 16, 17 |
| 1059550 | Make Up Kit – Contains O Ring Kit plus inner seal for 4 and item 8 |
| 1046944 | Sample Tube Standard |



1108034 DR53 4 1/2" REMET HAMMER ASSEMBLY

| | | |
|-----|----------------------------|---------------------------------|
| 1 | 1000896 | Circlip Internal |
| 2 | 1084159 | Adaptor Air Screen 4 1/2" Remet |
| 3 | 1107182 | Top Sub 4 1/2" Remet |
| 4 | 1046940 | Check Valve |
| 5 | 9001056 | Check Valve Spring |
| 6 | 1043770 | Adaptor Tube |
| 7 | 1046943 | Steel Make Up Ring |
| 8 | 1046942 | Make Up Ring |
| 9 | 1066177 | Distributor |
| 10 | 1107637 | Sample Tube Venturi |
| 11 | 1107183 | Sample Tube Mount |
| 12 | 1107185 | Inner Cylinder 101.6mm A/F |
| 13 | 1107186 | Piston |
| 14 | 1258073 | Wear Sleeve |
| 15 | 1107191 | Piston Retaining Ring |
| 16 | 1107192 | Guide Bush |
| 17 | 1118005 | Bit Retaining Ring |
| 18 | 1107221 | Chuck Sleeve 5 7/16" |
| 19 | 1107227 | Chuck |
| O-1 | O Ring Location - Quantity | |

Hammer Specifications

| | |
|--------------------|--------------------------------|
| Bit Shank | DR53 |
| Bit Range | 5" - 127mm to 5 5/8" - 143mm |
| Top Sub Thread | 4 1/2" Remet |
| Spanner Flat | 3.7" - 95mm A/F x 1.96" - 50mm |
| Overall Length S/S | 48" - 1226mm |
| Weight (less bit) | 146lbs. - 66kg |
| Wear Sleeve O.D. | 4.76" - 121mm |
| Oil Consumption | 2 - 3 litres per hour |

Air Pressure

Air Consumption

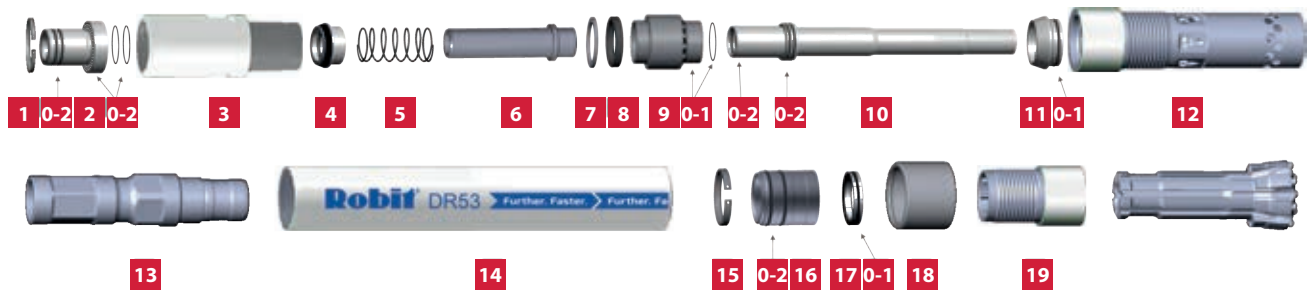
| PSI | bar | CFM | m ³ /min |
|-----|------|------|---------------------|
| 250 | 17.2 | 550 | 16.1 |
| 300 | 24.1 | 660 | 19.3 |
| 400 | 27.5 | 750 | 21.9 |
| 450 | 31.0 | 925 | 27.0 |
| 500 | 34.5 | 1030 | 30.1 |

Spare Parts

| | |
|---------|--|
| 1103213 | O Ring Kit – Contains O Rings for items 2, 9, 10, 11, 16, 17 |
| 1103211 | Make Up Kit – Contains O Ring Kit plus inner seal for 4 and item 8 |
| 1118004 | Sample Tube Standard |

RC HAMMERS

DR53 4¹/₂" REMET RETENTION



1252172 DR53 4¹/₂" REMET RETENTION HAMMER ASSY

| | | |
|-----|---------|---------------------------------|
| 1 | 1000896 | Circlip Internal |
| 2 | 1084159 | Adaptor Air Screen 4 1/2" Remet |
| 3 | 1107182 | Top Sub 4 1/2" Remet |
| 4 | 1046940 | Check Valve |
| 5 | 9001056 | Check Valve Spring |
| 6 | 1043770 | Adaptor Tube |
| 7 | 1046943 | Steel Make Up Ring |
| 8 | 1046942 | Make Up Ring |
| 9 | 1066177 | Distributor |
| 10 | 1107637 | Sample Tube Venturi |
| 11 | 1107183 | Sample Tube Mount |
| 12 | 1107185 | Inner Cylinder 101.6mm A/F |
| 13 | 1107186 | Piston |
| 14 | 1258073 | Wear Sleeve |
| 15 | 1107191 | Piston Retaining Ring |
| 16 | 1107192 | Guide Bush |
| 17 | 1118005 | Bit Retaining Ring |
| 18 | 1216716 | Chuck Sleeve 5 7/16" Retention |
| 19 | 1216711 | Chuck Retention |
| O-1 | | O Ring Location - Quantity |

Hammer Specifications

| | |
|--------------------|----------------------------------|
| Bit Shank | DR53 |
| Bit Range | 5 3/8" - 137mm to 5 5/8" - 143mm |
| Top Sub Thread | 4 1/2" Remet |
| Spanner Flat | 3.7" - 95mm A/F x 1.96" - 50mm |
| Overall Length S/S | 50" - 1269mm |
| Weight (less bit) | 150lbs. - 68kg |
| Wear Sleeve O.D. | 4.76" - 121mm |
| Oil Consumption | 2 - 3 litres per hour |

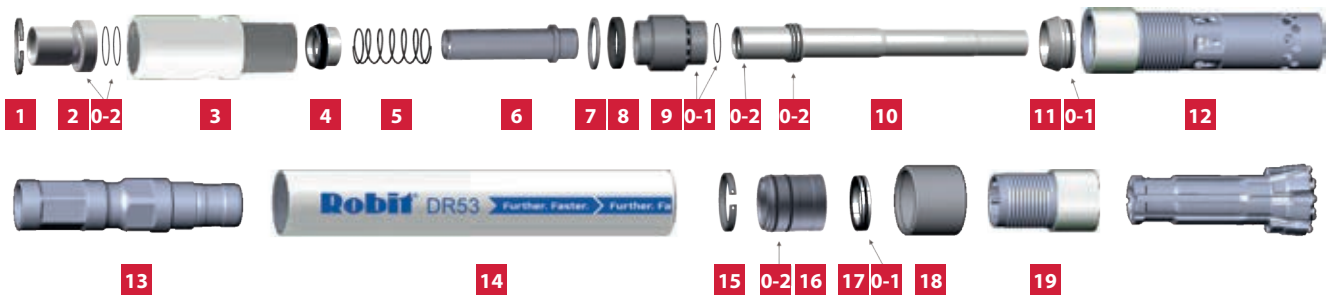
Air Pressure

Air Consumption

| PSI | bar | CFM | m ³ /min |
|-----|------|------|---------------------|
| 250 | 17.2 | 550 | 16.1 |
| 300 | 24.1 | 660 | 19.3 |
| 400 | 27.5 | 750 | 21.9 |
| 450 | 31.0 | 925 | 27.0 |
| 500 | 34.5 | 1030 | 30.1 |

Spare Parts

| | |
|---------|--|
| 1103213 | O Ring Kit – Contains O Rings for items 2, 9, 10, 11, 16, 17 |
| 1103211 | Make Up Kit – Contains O Ring Kit plus inner seal for 4 and item 8 |
| 1118004 | Sample Tube Standard |



1108033 DR53 4 1/2" METZKE HAMMER ASSEMBLY

| | | |
|-----|---------|----------------------------------|
| 1 | 1000896 | Circlip Internal |
| 2 | 1107736 | Adaptor Air Screen 4 1/2" Metzke |
| 3 | 1107181 | Top Sub 4 1/2" Metzke |
| 4 | 1046940 | Check Valve |
| 5 | 9001056 | Check Valve Spring |
| 6 | 1043770 | Adaptor Tube |
| 7 | 1046943 | Steel Make Up Ring |
| 8 | 1046942 | Make Up Ring |
| 9 | 1066177 | Distributor |
| 10 | 1107637 | Sample Tube Venturi |
| 11 | 1107183 | Sample Tube Mount |
| 12 | 1107184 | Inner Cylinder |
| 13 | 1107186 | Piston |
| 14 | 1258073 | Wear Sleeve |
| 15 | 1107191 | Piston Retaining Ring |
| 16 | 1107192 | Guide Bush |
| 17 | 1118005 | Bit Retaining Ring |
| 18 | 1107221 | Chuck Sleeve 5 7/16" |
| 19 | 1107227 | Chuck |
| O-1 | | O Ring Location - Quantity |

Hammer Specifications

| | |
|--------------------|--------------------------------|
| Bit Shank | DR53 |
| Bit Range | 5" - 127mm to 5 5/8" - 143mm |
| Top Sub Thread | 4 1/2" Metzke |
| Spanner Flat | 3.7" - 95mm A/F x 1.96" - 50mm |
| Overall Length S/S | 48" - 1226mm |
| Weight (less bit) | 146lbs. - 66kg |
| Wear Sleeve O.D. | 4.76" - 121mm |
| Oil Consumption | 2 - 3 litres per hour |

Air Pressure

Air Consumption

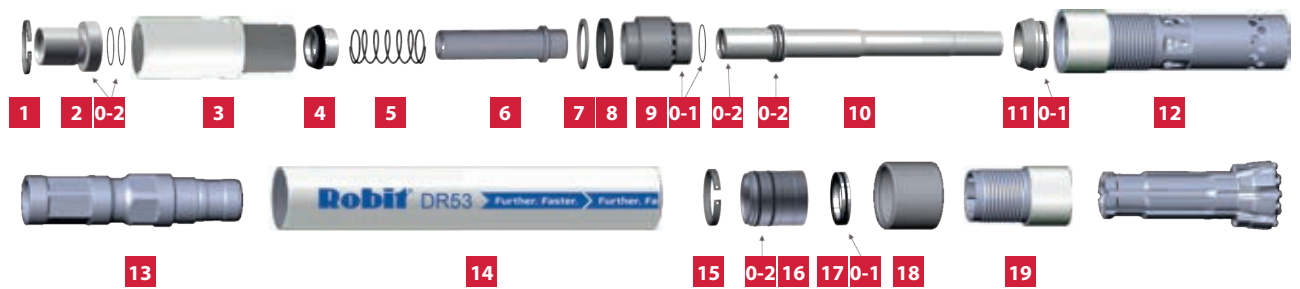
| PSI | bar | CFM | m ³ /min |
|-----|------|------|---------------------|
| 250 | 17.2 | 550 | 16.1 |
| 300 | 24.1 | 660 | 19.3 |
| 400 | 27.5 | 750 | 21.9 |
| 450 | 31.0 | 925 | 27.0 |
| 500 | 34.5 | 1030 | 30.1 |

Spare Parts

| | |
|---------|--|
| 1103213 | O Ring Kit – Contains O Rings for items 2, 9, 10, 11, 16, 17 |
| 1103211 | Make Up Kit – Contains O Ring Kit plus inner seal for 4 and item 8 |
| 1118004 | Sample Tube Standard |

RC HAMMERS

DR53 4½" METZKE HEAVY DUTY



1220145 DR53 4½" METZKE HEAVY DUTY ASSEMBLY

| | | |
|-----|---------|---------------------------------|
| 1 | 1000896 | Circlip Internal |
| 2 | 1107736 | Adaptor Air Screen 4 ½" Metzke |
| 3 | 1107181 | Top Sub 4 ½" Metzke |
| 4 | 1046940 | Check Valve |
| 5 | 9001056 | Check Valve Spring |
| 6 | 1043770 | Adaptor Tube |
| 7 | 1046943 | Steel Make Up Ring |
| 8 | 1046942 | Make Up Ring |
| 9 | 1066177 | Distributor |
| 10 | 1107637 | Sample Tube Venturi |
| 11 | 1107183 | Sample Tube Mount |
| 12 | 1107184 | Inner Cylinder |
| 13 | 1107186 | Piston |
| 14 | 1216718 | Wear Sleeve Heavy Duty |
| 15 | 1107191 | Piston Retaining Ring |
| 16 | 1107192 | Guide Bush |
| 17 | 1118005 | Bit Retaining Ring |
| 18 | 1220142 | Chuck Sleeve 5 7/16" Heavy Duty |
| 19 | 1216305 | Chuck SF |
| O-1 | | O Ring Location - Quantity |

Hammer Specifications

| | |
|--------------------|--------------------------------|
| Bit Shank | DR53 |
| Bit Range | 5 ⅜" - 137mm to 5 ⅝" - 143mm |
| Top Sub Thread | 4 ½" Metzke |
| Spanner Flat | 3.7" - 95mm A/F x 1.96" - 50mm |
| Overall Length S/S | 48" - 1226mm |
| Weight (less bit) | 163lbs. - 74kg |
| Wear Sleeve O.D. | 4.96" - 126mm |
| Oil Consumption | 2 - 3 litres per hour |

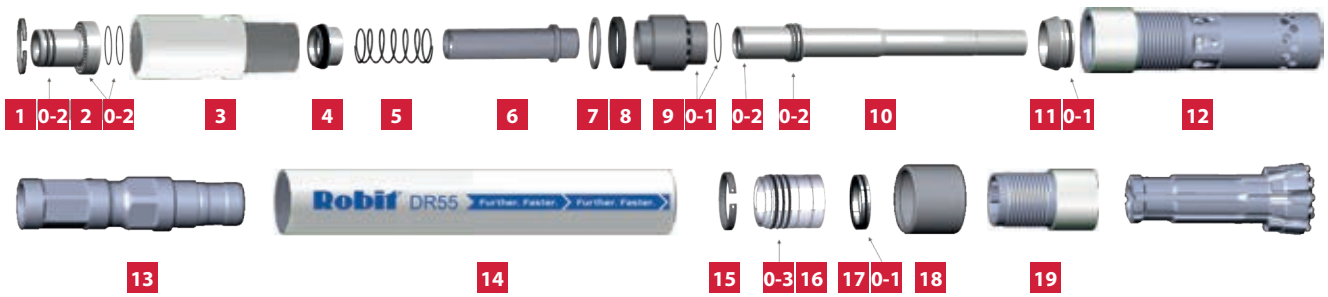
Air Pressure

Air Consumption

| PSI | bar | CFM | m³/min |
|-----|------|------|--------|
| 250 | 17.2 | 550 | 16.1 |
| 300 | 24.1 | 660 | 19.3 |
| 400 | 27.5 | 750 | 21.9 |
| 450 | 31.0 | 925 | 27.0 |
| 500 | 34.5 | 1030 | 30.1 |

Spare Parts

| | |
|---------|--|
| 1103213 | O Ring Kit – Contains O Rings for items 2, 9, 10, 11, 16, 17 |
| 1103211 | Make Up Kit – Contains O Ring Kit plus inner seal for 4 and item 8 |
| 1118004 | Sample Tube Standard |



1051842 DR55 4 1/2" REMET HAMMER ASSEMBLY

| | | |
|-----|---------|---------------------------------|
| 1 | 1000897 | Circlip Internal |
| 2 | 1048119 | Adaptor Air Screen 4 1/2" Remet |
| 3 | 1048188 | Top Sub 4 1/2" Remet |
| 4 | 1048189 | Check Valve |
| 5 | 9001055 | Check Valve Spring |
| 6 | 1048192 | Adaptor Tube |
| 7 | 1009562 | Steel Make Up Ring |
| 8 | 1010627 | Make Up Ring |
| 9 | 1048194 | Distributor |
| 10 | 1048195 | Sample Tube Venturi |
| 11 | 1048196 | Sample Tube Mount |
| 12 | 1048197 | Inner Cylinder |
| 13 | 1107238 | Piston |
| 14 | 1248977 | Wear Sleeve |
| 15 | 1044582 | Piston Retaining Ring |
| 16 | 1009572 | Guide Bush |
| 17 | 1009573 | Bit Retaining Ring |
| 18 | 1051774 | Chuck Sleeve 5 7/16" |
| 19 | 1051849 | Chuck |
| O-1 | | O Ring Location - Quantity |

Hammer Specifications

| | |
|--------------------|----------------------------------|
| Bit Shank | DR55 |
| Bit Range | 5 3/8" - 137mm to 5 3/4" - 146mm |
| Top Sub Thread | 4 1/2" Remet |
| Spanner Flat | 4.09" - 104mm A/F x 1.96" - 50mm |
| Overall Length S/S | 49.3" - 1252mm |
| Weight (less bit) | 179 lbs - 81kg |
| Wear Sleeve O.D. | 5.1" - 130mm |
| Oil Consumption | 2 - 3 litres per hour |

Air Pressure

Air Consumption

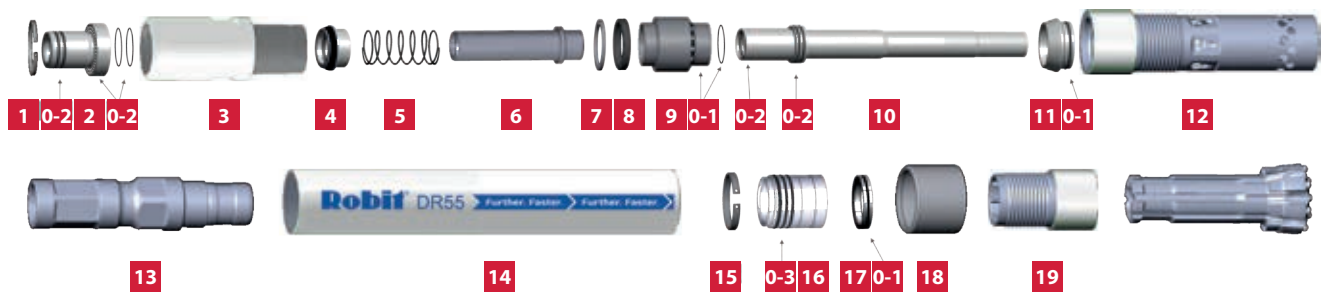
| PSI | bar | CFM | m ³ /min |
|-----|------|------|---------------------|
| 250 | 17.2 | 577 | 16.3 |
| 350 | 24.1 | 787 | 22.3 |
| 450 | 31 | 971 | 27.5 |
| 550 | 37.9 | 1156 | 32.7 |
| 650 | 44.8 | 1445 | 40.9 |
| 750 | 51.7 | 1806 | 51.1 |

Spare Parts

| | |
|---------|--|
| 1048201 | O Ring Kit – Contains O Rings for items 2, 9, 10, 11, 16, 17 |
| 1048200 | Make Up Kit – Contains O Ring Kit plus inner seal for 4 and item 8 |
| 1113851 | Sample Tube Standard |

RC HAMMERS

DR55 4 1/2" REMET RETENTION



1051843 DR55 4 1/2" REMET RETENTION HAMMER ASSY

| | | |
|-----|---------|---------------------------------|
| 1 | 1000897 | Circlip Internal |
| 2 | 1048119 | Adaptor Air Screen 4 1/2" Remet |
| 3 | 1048188 | Top Sub 4 1/2" Remet |
| 4 | 1048189 | Check Valve |
| 5 | 9001055 | Check Valve Spring |
| 6 | 1048192 | Adaptor Tube |
| 7 | 1009562 | Steel Make Up Ring |
| 8 | 1010627 | Make Up Ring |
| 9 | 1048194 | Distributor |
| 10 | 1048195 | Sample Tube Venturi |
| 11 | 1048196 | Sample Tube Mount |
| 12 | 1048197 | Inner Cylinder |
| 13 | 1107238 | Piston |
| 14 | 1248977 | Wear Sleeve |
| 15 | 1044582 | Piston Retaining Ring |
| 16 | 1009572 | Guide Bush |
| 17 | 1009573 | Bit Retaining Ring |
| 18 | 1051761 | Chuck Sleeve 5 7/16" Retention |
| 19 | 1046868 | Chuck Retention |
| O-1 | | O Ring Location - Quantity |

Hammer Specifications

| | |
|--------------------|----------------------------------|
| Bit Shank | DR55 |
| Bit Range | 5 3/8" - 137mm to 5 3/4" - 146mm |
| Top Sub Thread | 4 1/2" Remet |
| Spanner Flat | 4.09" - 104mm A/F x 1.96" - 50mm |
| Overall Length S/S | 51" - 1294mm |
| Weight (less bit) | 179 lbs - 81kg |
| Wear Sleeve O.D. | 5.1" - 130mm |
| Oil Consumption | 2 - 3 litres per hour |

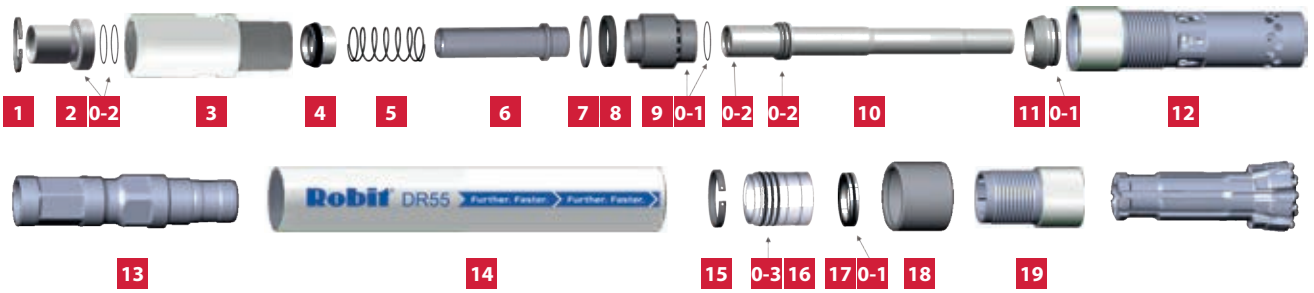
Air Pressure

Air Consumption

| PSI | bar | CFM | m ³ /min |
|-----|------|------|---------------------|
| 250 | 17.2 | 577 | 16.3 |
| 350 | 24.1 | 787 | 22.3 |
| 450 | 31 | 971 | 27.5 |
| 550 | 37.9 | 1156 | 32.7 |
| 650 | 44.8 | 1445 | 40.9 |
| 750 | 51.7 | 1806 | 51.1 |

Spare Parts

| | |
|---------|--|
| 1048201 | O Ring Kit – Contains O Rings for items 2, 9, 10, 11, 16, 17 |
| 1048200 | Make Up Kit – Contains O Ring Kit plus inner seal for 4 and item 8 |
| 1113851 | Sample Tube Standard |



1108035 DR55 4 1/2" METZKE HAMMER ASSEMBLY

| | | |
|-----|---------|----------------------------------|
| 1 | 1107229 | Circlip Internal |
| 2 | 1059984 | Adaptor Air Screen 4 1/2" Metzke |
| 3 | 1107234 | Top Sub 4 1/2" Metzke |
| 4 | 1048189 | Check Valve |
| 5 | 9001055 | Check Valve Spring |
| 6 | 1048192 | Adaptor Tube |
| 7 | 1009562 | Steel Make Up Ring |
| 8 | 1010627 | Make Up Ring |
| 9 | 1048194 | Distributor |
| 10 | 1048195 | Sample Tube Venturi |
| 11 | 1048196 | Sample Tube Mount |
| 12 | 1048197 | Inner Cylinder |
| 13 | 1107238 | Piston |
| 14 | 1248977 | Wear Sleeve |
| 15 | 1044582 | Piston Retaining Ring |
| 16 | 1009572 | Guide Bush |
| 17 | 1009573 | Bit Retaining Ring |
| 18 | 1051774 | Chuck Sleeve 5 7/16" |
| 19 | 1051849 | Chuck |
| O-1 | | O Ring Location - Quantity |

Hammer Specifications

| | |
|--------------------|----------------------------------|
| Bit Shank | DR55 |
| Bit Range | 5 3/8" - 137mm to 5 3/4" - 146mm |
| Top Sub Thread | 4 1/2" Metzke |
| Spanner Flat | 4.09" - 104mm A/F x 1.96" - 50mm |
| Overall Length S/S | 49.3" - 1252mm |
| Weight (less bit) | 179 lbs - 81kg |
| Wear Sleeve O.D. | 5.1" - 130mm |
| Oil Consumption | 2 - 3 litres per hour |

Air Pressure

Air Consumption

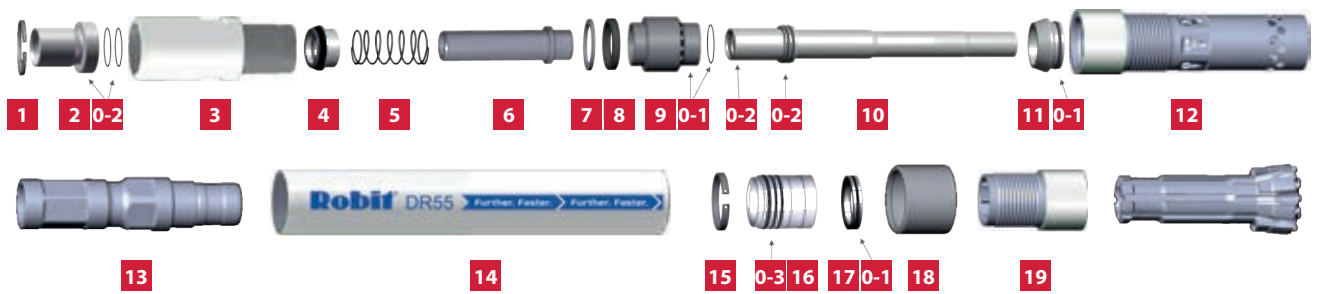
| PSI | bar | CFM | m ³ /min |
|-----|------|------|---------------------|
| 250 | 17.2 | 577 | 16.3 |
| 350 | 24.1 | 787 | 22.3 |
| 450 | 31 | 971 | 27.5 |
| 550 | 37.9 | 1156 | 32.7 |
| 650 | 44.8 | 1445 | 40.9 |
| 750 | 51.7 | 1806 | 51.1 |

Spare Parts

| | |
|---------|--|
| 1048201 | O Ring Kit – Contains O Rings for items 2, 9, 10, 11, 16, 17 |
| 1048200 | Make Up Kit – Contains O Ring Kit plus inner seal for 4 and item 8 |
| 1113851 | Sample Tube Standard |

RC HAMMERS

DR55 4¹/₂" METZKE RETENTION



1108037 DR55 4¹/₂" METZKE RETENTION ASSEMBLY

| | | |
|-----|---------|----------------------------------|
| 1 | 1107229 | Circlip Internal |
| 2 | 1059984 | Adaptor Air Screen 4 1/2" Metzke |
| 3 | 1107234 | Top Sub 4 1/2" Metzke |
| 4 | 1048189 | Check Valve |
| 5 | 9001055 | Check Valve Spring |
| 6 | 1048192 | Adaptor Tube |
| 7 | 1009562 | Steel Make Up Ring |
| 8 | 1010627 | Make Up Ring |
| 9 | 1048194 | Distributor |
| 10 | 1048195 | Sample Tube Venturi |
| 11 | 1048196 | Sample Tube Mount |
| 12 | 1048197 | Inner Cylinder |
| 13 | 1107238 | Piston |
| 14 | 1248977 | Wear Sleeve |
| 15 | 1044582 | Piston Retaining Ring |
| 16 | 1009572 | Guide Bush |
| 17 | 1009573 | Bit Retaining Ring |
| 18 | 1051761 | Chuck Sleeve 5 7/16" Retention |
| 19 | 1046868 | Chuck Retention |
| O-1 | | O Ring Location - Quantity |

Hammer Specifications

| | |
|--------------------|----------------------------------|
| Bit Shank | DR55 |
| Bit Range | 5 3/8" - 137mm to 5 3/4" - 146mm |
| Top Sub Thread | 4 1/2" Metzke |
| Spanner Flat | 4.09" - 104mm A/F x 1.96" - 50mm |
| Overall Length S/S | 51" - 1294mm |
| Weight (less bit) | 179 lbs - 81kg |
| Wear Sleeve O.D. | 5.1" - 130mm |
| Oil Consumption | 2 - 3 litres per hour |

Air Pressure

Air Consumption

| PSI | bar | CFM | m ³ /min |
|-----|------|------|---------------------|
| 250 | 17.2 | 577 | 16.3 |
| 350 | 24.1 | 787 | 22.3 |
| 450 | 31 | 971 | 27.5 |
| 550 | 37.9 | 1156 | 32.7 |
| 650 | 44.8 | 1445 | 40.9 |
| 750 | 51.7 | 1806 | 51.1 |

Spare Parts

| | |
|---------|--|
| 1048201 | O Ring Kit – Contains O Rings for items 2, 9, 10, 11, 16, 17 |
| 1048200 | Make Up Kit – Contains O Ring Kit plus inner seal for 4 and item 8 |
| 1113851 | Sample Tube Standard |

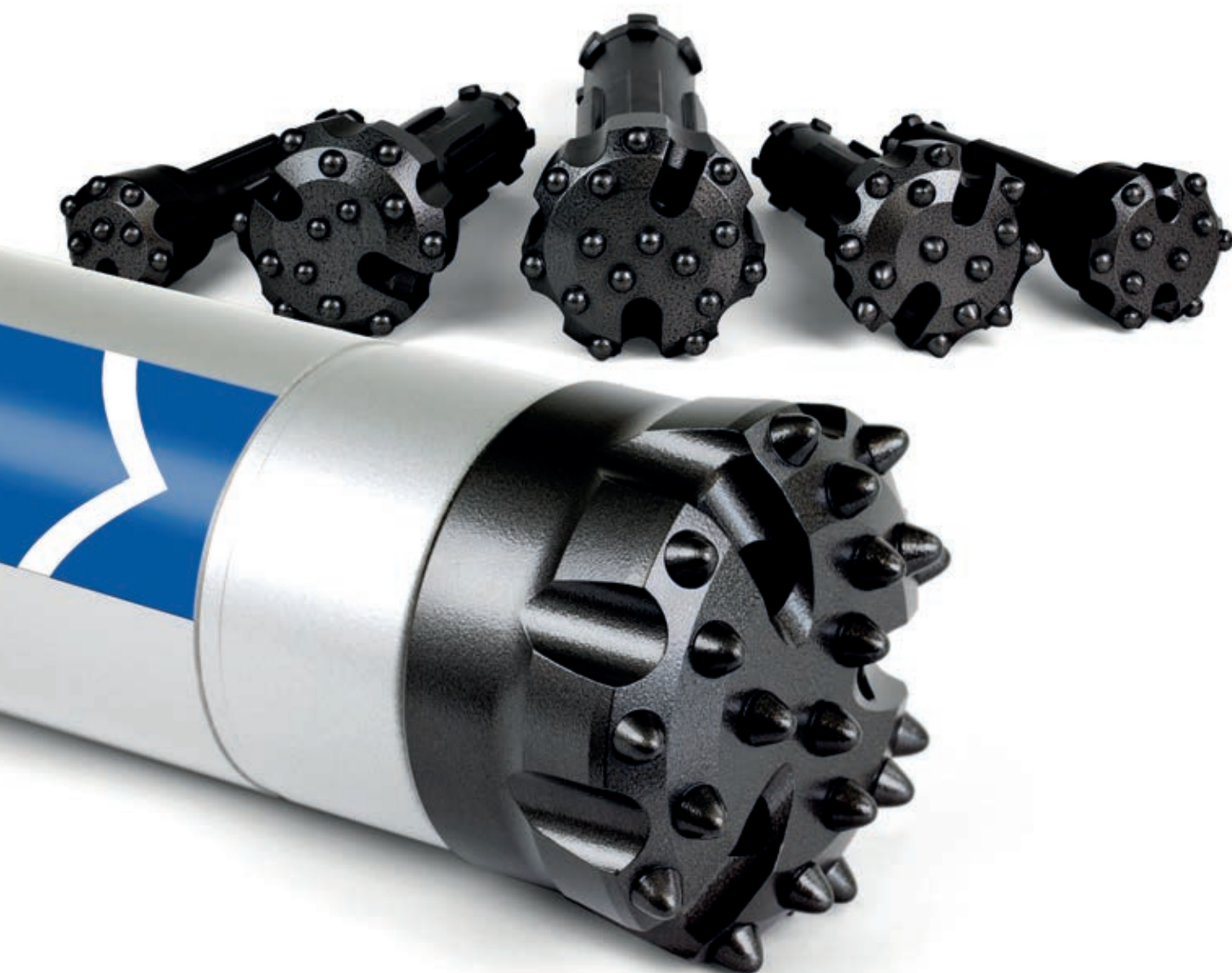


DTH BITS

GENERAL PURPOSE BITS

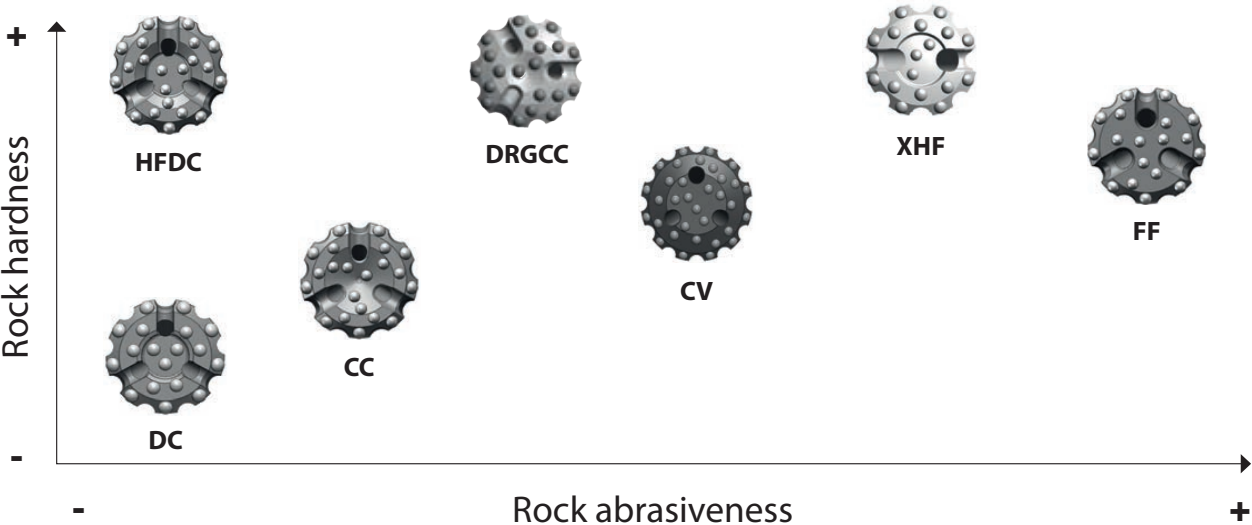
BLAST HOLE BITS

RC BITS

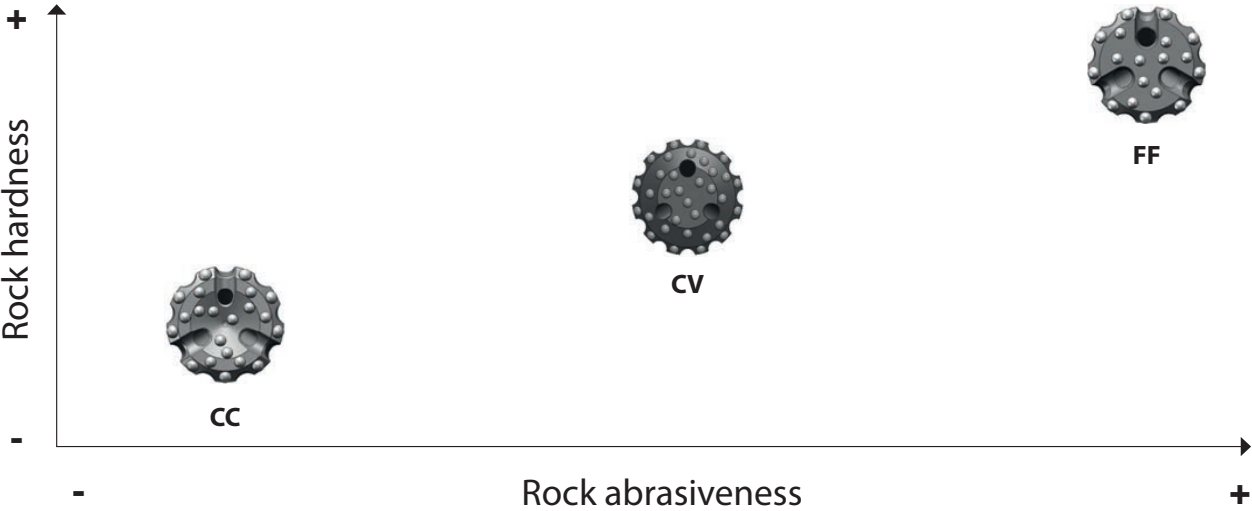


BIT SELECTION GUIDE

Mining (bench drilling & production)



Geotechnical



Conventional Bits



Flat Face - FF

- Common face design in global market
- Excellent performing bit
- Hard to very hard rock
- Solid consistent formation



Concave - CC

- Common face design in global market
- Excellent deviation control
- Medium hard to hard rock
- Broken and sloped angled formation



Drop Centre - DC

- Good all rounder
- Excellent deviation control
- Medium rock
- Solid / fractured inconsistent formation



Hard Formation Drop Centre - HFDC

- Good all rounder
- Excellent deviation control
- Hard rock
- Solid / fractured inconsistent formation



Convex - CV

- Common in global market
- Excellent penetration rate
- Medium / hard formation
- Shales / sandstone formations

Reverse Circulation Bits



Extra Hard Formation - XHF

- Excellent penetration rate
- Solid consistent formation
- Good all round bit - excellent in hard to very hard rock



Drop Centre - DC

- Cross slot for improved air flow
- Solid / fractured inconsistent formation
- Good all round bit - excellent in soft to medium hard rock

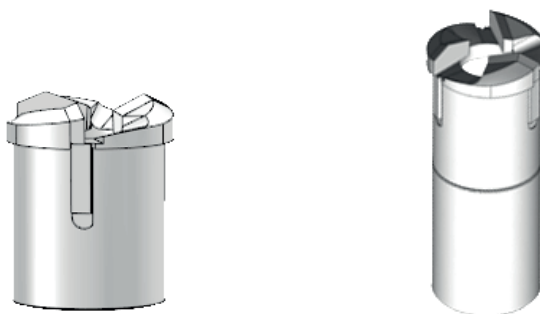
EXPLORATION BITS CODES

Air Core Drill Bit Assembly



Face Discharge

Vacuum



Air Core Drill Bit Range

| Part No. | Description | Bit Size | Rod Size |
|-------------------------------|--|----------|----------|
| Vacuum Air Core Bit | | | |
| 1255734 | BIT; 3 BLADE; 3IN; VACUUM AIR CORE | 85mm | |
| 1255729 | SUB; BIT; 3IN; VACUUM AIR CORE TS/NQ | | 3" |
| 1255730 | INNER TUBE; BIT SUB; 3IN; VACUUM AIR CORE | | |
| Discharge Air Core Bit | | | |
| 1256049 | BIT; 3 BLADE; 3IN; FACE DISCHARGE AIR CORE | 85mm | |
| 1256047 | SUB; BIT; 3IN; FACE DISCHARGE AIR CORE TS/LW | | 3" |
| 1243701 | INNER TUBE AIR CORE BIT 3IN FACE DISCHARGE | | |

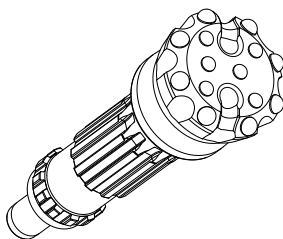


DTH BITS

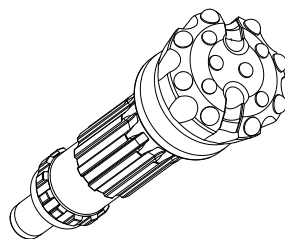
GENERAL PURPOSE BITS

| Order code | DTH Hammer | Diameter | | *Weight | Face type | | |
|-----------------|------------|----------|------|---------|-----------|--------|---------|
| | | [mm] | [in] | | Flat | Convex | Concave |
| DTH-Bit 90/3" | 3" | 90 | 3½ | 3,4 | | x | |
| DTH-Bit 95/3" | 3" | 95 | 3¾ | 3,8 | | x | |
| DTH-Bit 100/3" | 3" | 100 | 4 | 4,4 | | x | |
| DTH-Bit 105/4" | 4" | 105 | 4⅛ | 8,4 | | x | |
| DTH-Bit 110/4" | 4" | 110 | 4⅜ | 8,8 | x | x | |
| DTH-Bit 115/4" | 4" | 115 | 4½ | 9 | x | x | |
| DTH-Bit 127/4" | 4" | 127 | 5 | 9,9 | x | x | |
| DTH-Bit 127/5" | 5" | 127 | 5 | 15,6 | x | x | |
| DTH-Bit 140/5" | 5" | 140 | 5½ | 17,4 | x | x | |
| DTH-Bit 152/5" | 5" | 152 | 6 | 18,9 | x | x | |
| DTH-Bit 152/6" | 6" | 152 | 6 | 25,5 | x | | x |
| DTH-Bit 165/6" | 6" | 165 | 6½ | 26,3 | x | | x |
| DTH-Bit 200/8" | 8" | 200 | 7⅞ | 33,8 | | | x |
| DTH-Bit 203/6" | 6" | 203 | 7 | 32,6 | x | | x |
| DTH-Bit 203/8" | 8" | 203 | 7 | 34,5 | | | x |
| DTH-Bit 216/6" | 6" | 216 | 8½ | 34,4 | x | | x |
| DTH-Bit 216/8" | 8" | 216 | 8½ | 37,5 | | | x |
| DTH-Bit 254/6" | 6" | 254 | 10 | 45,0 | | | x |
| DTH-Bit 254/8" | 8" | 254 | 10 | 51,5 | | | x |
| DTH-Bit 305/12" | 12" | 305 | 12 | 159 | | | x |
| DTH-Bit 311/12" | 12" | 311 | 12¼ | 166 | | | x |
| DTH-Bit 381/12" | 12" | 381 | 15 | 233 | | | x |
| DTH-Bit 445/12" | 12" | 445 | 17½ | 312 | | | x |
| DTH-Bit 445/14" | 14" | 445 | 17½ | 396 | | | x |
| DTH-Bit 457/14" | 14" | 457 | 18 | 401 | | | x |
| DTH-Bit 457/18" | 18" | 457 | 18 | 556 | | | x |
| DTH-Bit 508/14" | 14" | 508 | 20 | 484 | | | x |
| DTH-Bit 508/18" | 18" | 508 | 20 | 589 | | | x |
| DTH-Bit 559/14" | 14" | 559 | 22 | 525 | | | x |
| DTH-Bit 559/18" | 18" | 559 | 22 | 635 | | | x |
| DTH-Bit 584/18" | 18" | 584 | 23 | 692 | | | x |
| DTH-Bit 610/18" | 18" | 610 | 24 | 718 | | | x |
| DTH-Bit 610/24" | 24" | 610 | 24 | 985 | | | x |
| DTH-Bit 660/24" | 24" | 660 | 26 | 1058 | | | x |
| DTH-Bit 711/24" | 24" | 711 | 28 | 2475 | | | x |
| DTH-Bit 762/24" | 24" | 762 | 30 | 2622 | | | x |
| DTH-Bit 813/24" | 24" | 813 | 32 | 3225 | | | x |
| DTH-Bit 866/24" | 24" | 866 | 34 | 3410 | | | x |

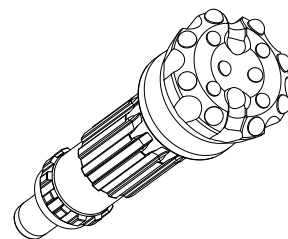
DTH Bits



Flat face



Convex face



Concave face

DTH BITS

BLAST HOLE BITS



BLAST HOLE BITS

IR3.5



| | | | | | | |
|-----------------------------|---------|---------|---------|---------|---------|---------|
| HEAD DIAMETER (mm) | 98 | 102 | 105 | 105 | 105 | 121 |
| HEAD DIAMETER (inch) | 3 7/8 | 4 | 4 1/8 | 4 1/8 | 4 1/8 | 4 3/4 |
| FACE DESIGN | CC | CC | CC | CC | CC | CC |
| ITEM CODE | 1100534 | 1280200 | 1100537 | 1280039 | 1280196 | 1100539 |
| NUMBER OF PORTS | 2 | 3 | 3 | 3 | 3 | 3 |
| WEIGHT (kg) | 4.9 | 5 | 5 | 5 | 5 | 5.7 |
| BUTTON PROFILE | DM | BA | DM | DM | BA | BA |
| GAUGE ANGLE (°) | 35 | 35 | 35 | 35 | 35 | 35 |
| GAUGE CARBIDE QTY. | 8 | 9 | 9 | 9 | 9 | 9 |
| GAUGE CARBIDE DIA. (mm) | 13.0 | 12.0 | 12.7 | 12.7 | 12.0 | 14.3 |
| GAUGE CARBIDE DIA. (inch) | - | - | 1/2 | 1/2 | - | 9/16 |
| GAUGE CARBIDE GRADE | G20 | G20 | G20 | G30 | G20 | G20 |
| GAUGE 2 ANGLE (°) | - | - | - | - | - | - |
| GAUGE 2 CARBIDE QTY. | - | - | - | - | - | - |
| GAUGE 2 CARBIDE DIA. (mm) | - | - | - | - | - | - |
| GAUGE 2 CARBIDE DIA. (inch) | - | - | - | - | - | - |
| GAUGE 2 CARBIDE GRADE | - | - | - | - | - | - |
| FACE CARBIDE QTY. | 6 | 6 | 6 | 6 | | 6 |
| FACE CARBIDE DIA. (mm) | 11.0 | 11.0 | 11.0 | 11.0 | 11.0 | 12.0 |
| FACE CARBIDE DIA. (inch) | - | - | - | - | - | - |
| FACE CARBIDE GRADE | G20 | G20 | G20 | G20 | G20 | G20 |
| CENTER CARBIDE QTY. | - | - | - | - | - | - |
| CENTER CARBIDE DIA. (mm) | - | - | - | - | - | - |
| CENTER CARBIDE DIA. (inch) | - | - | - | - | - | - |
| CENTER CARBIDE GRADE | - | - | - | - | - | - |
| CONE ANGLE (°) | -20 | -20 | -20 | -20 | -20 | -15 |
| CONE CARBIDE QTY. | 3 | 3 | 3 | 3 | 3 | 3 |
| CONE CARBIDE DIA. (mm) | 11.0 | 11.0 | 11.0 | 11.0 | 11.0 | 12.0 |
| CONE CARBIDE DIA. (inch) | - | - | - | - | - | - |
| CONE CARBIDE GRADE | G20 | G20 | G20 | G20 | G20 | G20 |

BLAST HOLE BITS

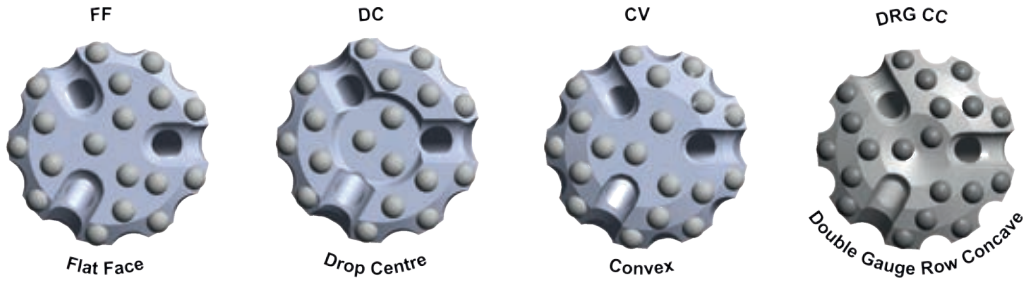
DHD340



| | | | | | | | | | | | |
|-----------------------------|---------|---------|---------|---------|---------|---------|---------|---------|---------|---------|---------|
| HEAD DIAMETER (mm) | 110 | 110 | 115 | 115 | 115 | 121 | 127 | 127 | 127 | 127 | 127 |
| HEAD DIAMETER (inch) | 4 3/8 | 4 3/8 | 4 1/2 | 4 1/2 | 4 1/2 | 4 3/4 | 5 | 5 | 5 | 5 | 5 |
| FACE DESIGN | DC | CV | DC | FF | CC | CC | DC | CC | CV | FF | FF |
| ITEM CODE | 1261573 | 1280052 | 1242440 | 1056976 | 1049501 | 1100541 | 1249362 | 1066967 | 1127802 | 1054817 | 1262589 |
| NUMBER OF PORTS | 4 | 4 | 4 | 3 | 3 | 3 | 4 | 3 | 3 | 3 | 4 |
| WEIGHT (kg) | 7.7 | 7.4 | 7.9 | 7.5 | 7.9 | 8.1 | 8.7 | 8.6 | 8.6 | 8.6 | 8.9 |
| BUTTON PROFILE | DM | BA | DM | DM | DM | DM | DM | DM | DM | DM | DM |
| GAUGE ANGLE (°) | 35 | 35 | 35 | 35 | 35 | 35 | 35 | 35 | 35 | 35 | 35 |
| GAUGE CARBIDE QTY. | 8 | 8 | 8 | 8 | 9 | 9 | 8 | 9 | 9 | 9 | 8 |
| GAUGE CARBIDE DIA. (mm) | 14.3 | 11 | 14.3 | 14.3 | 14.3 | 14.3 | 15.9 | 14.3 | 14.3 | 14.3 | 15.9 |
| GAUGE CARBIDE DIA. (inch) | 9/16 | - | 9/16 | 9/16 | 9/16 | 9/16 | 5/8 | 9/16 | 9/16 | 9/16 | 5/8 |
| GAUGE CARBIDE GRADE | G20 | G20 | G20 | G30 | G20 | G20 | G20 | G20 | G30 | G30 | G20 |
| GAUGE 2 ANGLE (°) | - | 25 | - | - | - | - | - | - | 20 | - | - |
| GAUGE 2 CARBIDE QTY. | - | 4 | - | - | - | - | - | - | 6 | - | - |
| GAUGE 2 CARBIDE DIA. (mm) | - | 11 | - | - | - | - | - | - | 12.7 | - | - |
| GAUGE 2 CARBIDE DIA. (inch) | - | - | - | - | - | - | - | - | 1/2 | - | - |
| GAUGE 2 CARBIDE GRADE | - | G20 | - | - | - | - | - | - | G20 | - | - |
| FACE CARBIDE QTY. | 4 | 4 | 4 | 9 | 6 | 6 | 4 | 6 | 6 | 9 | 8 |
| FACE CARBIDE DIA. (mm) | 14.3 | 11 | 14.3 | 12.0 | 12.0 | 12.0 | 14.3 | 12 | 12.0 | 14.3 | 14.3 |
| FACE CARBIDE DIA. (inch) | 9/16 | - | 9/16 | - | - | - | 9/16 | - | - | 9/16 | 9/16 |
| FACE CARBIDE GRADE | G20 | G20 | G20 | G20 | G20 | G20 | G20 | G20 | G20 | G20 | G20 |
| CENTER CARBIDE QTY. | 2 | - | 2 | - | - | - | 4 | - | - | - | - |
| CENTER CARBIDE DIA. (mm) | 14.3 | - | 14.3 | - | - | - | 14.3 | - | - | - | - |
| CENTER CARBIDE DIA. (inch) | 9/16 | - | 9/16 | - | - | - | 9/16 | - | - | - | - |
| CENTER CARBIDE GRADE | G20 | - | G20 | - | - | - | G20 | - | - | - | - |
| CONE ANGLE (°) | - | - | - | - | -15 | -15 | - | -15 | - | - | - |
| CONE CARBIDE QTY. | - | - | - | - | 4 | 4 | - | 4 | - | - | - |
| CONE CARBIDE DIA. (mm) | - | - | - | - | 12.0 | 12.0 | - | 12 | - | - | - |
| CONE CARBIDE DIA. (inch) | - | - | - | - | - | - | - | - | - | - | - |
| CONE CARBIDE GRADE | - | - | - | - | G20 | G20 | - | G20 | - | - | - |

BLAST HOLE BITS

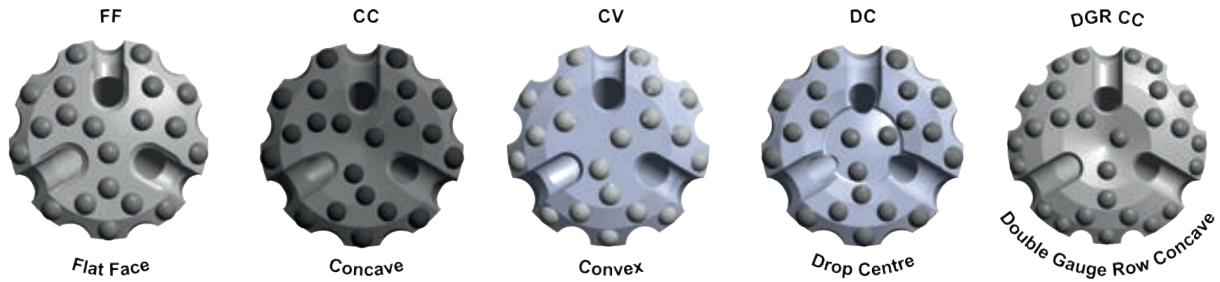
QL50



| | FF | DC | CV | CV | CV | DRG CC | DRG CC | DRG CC | DRG CC | DRG CC |
|-----------------------------|---------|---------|---------|----------|---------|---------|---------|---------|---------|---------|
| HEAD DIAMETER (mm) | 140 | 140 | 140 | 140 | 140 | 146 | 152 | 152 | 165 | 165 |
| HEAD DIAMETER (inch) | 5 1/2 | 5 1/2 | 5 1/2 | 5 1/2 | 5 1/2 | 5 3/4 | 6 | 6 | 6 1/2 | 6 1/2 |
| FACE DESIGN | CV | CV | DC | FF | FF | DGR CC | DC | FF | CC | FF |
| ITEM CODE | 1262999 | 1280032 | 1049141 | 11063139 | 1100652 | 1100656 | 1100659 | 1100661 | 1253696 | 1253717 |
| NUMBER OF PORTS | 3 | 3 | 3 | 3 | 3 | 3 | 3 | 3 | 3 | 3 |
| WEIGHT (kg) | 16.2 | 16 | 16.4 | 16.6 | 16.4 | 16.9 | 17.4 | 17.2 | 18.6 | 18.3 |
| BUTTON PROFILE | DM | BA | DM | DM | DM | DM | DM | DM | DM | DM |
| GAUGE ANGLE (°) | 40 | 35 | 35 | 35 | 35 | 35 | 35 | 35 | 35 | 35 |
| GAUGE CARBIDE QTY. | 9 | 9 | 9 | 9 | 9 | 9 | 9 | 9 | 9 | 9 |
| GAUGE CARBIDE DIA. (mm) | 15.9 | 15.9 | 15.9 | 15.9 | 15.9 | 15.9 | 18.0 | 18.0 | 18.0 | 18.0 |
| GAUGE CARBIDE DIA. (inch) | 5/8 | 5/8 | 5/8 | 5/8 | 5/8 | 5/8 | - | - | - | - |
| GAUGE CARBIDE GRADE | G30 | G30 | G20 | G20 | G30 | G20 | G20 | G30 | G30 | G30 |
| GAUGE 2 ANGLE (°) | 20 | 20 | - | - | - | 20 | - | - | - | - |
| GAUGE 2 CARBIDE QTY. | 6 | 6 | - | - | - | 6 | - | - | - | - |
| GAUGE 2 CARBIDE DIA. (mm) | 15.9 | 15.9 | - | - | - | 15.9 | - | - | - | - |
| GAUGE 2 CARBIDE DIA. (inch) | 5/8 | 5/8 | - | - | - | 5/8 | - | - | - | - |
| GAUGE 2 CARBIDE GRADE | G20 | G20 | - | - | - | G20 | - | - | - | - |
| FACE CARBIDE QTY. | 4 | 4 | 4 | 9 | 9 | 3 | 6 | 9 | 6 | 9 |
| FACE CARBIDE DIA. (mm) | 15.9 | 15.9 | 15.9 | 15.9 | 15.9 | 15.9 | 15.9 | 15.9 | 15.9 | 15.9 |
| FACE CARBIDE DIA. (inch) | 5/8 | 5/8 | 5/8 | 5/8 | 5/8 | 5/8 | 5/8 | 5/8 | 5/8 | 5/8 |
| FACE CARBIDE GRADE | G20 | G20 | G20 | G20 | G20 | G20 | G20 | G20 | G20 | G30 |
| CENTER CARBIDE QTY. | - | - | 3 | - | - | - | 2 | - | - | - |
| CENTER CARBIDE DIA. (mm) | - | - | 15.9 | - | - | - | 14.3 | - | - | - |
| CENTER CARBIDE DIA. (inch) | - | - | 5/8 | - | - | - | 9/16 | - | - | - |
| CENTER CARBIDE GRADE | - | - | G20 | - | - | - | G20 | - | - | - |
| CONE ANGLE (°) | - | - | - | - | - | -15 | -30 | - | -15 | - |
| CONE CARBIDE QTY. | - | - | - | - | - | 2 | 3 | - | 6 | - |
| CONE CARBIDE DIA. (mm) | - | - | - | - | - | 15.9 | 15.9 | - | 15.9 | - |
| CONE CARBIDE DIA. (inch) | - | - | - | - | - | 5/8 | 5/8 | - | 5/8 | - |
| CONE CARBIDE GRADE | - | - | - | - | - | G20 | G20 | - | G20 | - |

BLAST HOLE BITS

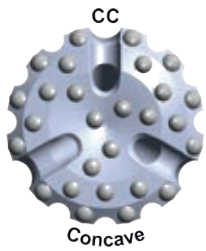
QL60



| | FF | CC | CV | DC | FF | FF | DGR CC | CV | CC | FF |
|-----------------------------|---------|---------|---------|---------|---------|---------|---------|---------|---------|---------|
| HEAD DIAMETER (mm) | 165 | 165 | 165 | 165 | 165 | 165 | 165 | 171 | 171 | 171 |
| HEAD DIAMETER (inch) | 6 1/2 | 6 1/2 | 6 1/2 | 6 1/2 | 6 1/2 | 6 1/2 | 6 1/2 | 6 3/4 | 6 3/4 | 6 3/4 |
| FACE DESIGN | CV | CC | CC | DC | FF | FF | DGR CC | CV | CC | FF |
| ITEM CODE | 1280053 | 1100671 | 1053268 | 1061419 | 1000810 | 1100665 | 1100669 | 1262391 | 1100672 | 1259809 |
| NUMBER OF PORTS | 3 | 3 | 3 | 3 | 3 | 3 | 3 | 3 | 3 | 3 |
| WEIGHT (kg) | 24.5 | 23.3 | 23.1 | 21.3 | 23.2 | 22.9 | 23.2 | 25 | 24 | 23.7 |
| BUTTON PROFILE | BA | DM | DM | DM | DM | DM | DM | DM | DM | DM |
| GAUGE ANGLE (°) | 35 | 35 | 35 | 35 | 35 | 35 | 35 | 40 | 35 | 35 |
| GAUGE CARBIDE QTY. | 9 | 9 | 9 | 9 | 9 | 9 | 15 | 9 | 9 | 9 |
| GAUGE CARBIDE DIA. (mm) | 18.0 | 18 | 18 | 18 | 18 | 18 | 14.3 | 18 | 18 | 18 |
| GAUGE CARBIDE DIA. (inch) | - | - | - | - | - | - | 9/16 | - | - | - |
| GAUGE CARBIDE GRADE | G20 | G20 | G30 | G20 | G20 | G30 | G30 | G40 | G30 | G20 |
| GAUGE 2 ANGLE (°) | 20 | - | - | - | - | - | 20 | 20 | - | - |
| GAUGE 2 CARBIDE QTY. | 6 | - | - | - | - | - | 6 | 6 | - | - |
| GAUGE 2 CARBIDE DIA. (mm) | 18.0 | - | - | - | - | - | 15.9 | 18 | - | - |
| GAUGE 2 CARBIDE DIA. (inch) | - | - | - | - | - | - | 5/8 | - | - | - |
| GAUGE 2 CARBIDE GRADE | G20 | - | - | - | - | - | G30 | G30 | - | - |
| FACE CARBIDE QTY. | 4 | 6 | 6 | 6 | 11 | 9 | 3 | 6 | 6 | 11 |
| FACE CARBIDE DIA. (mm) | 18.0 | 15.9 | 15.9 | 15.9 | 18 | 15.9 | 15.9 | 18 | 15.9 | 18 |
| FACE CARBIDE DIA. (inch) | - | 5/8 | 5/8 | 5/8 | - | 5/8 | 5/8 | - | 5/8 | - |
| FACE CARBIDE GRADE | G20 | G20 | G20 | G20 | G20 | G20 | G20 | G30 | G20 | G20 |
| CENTER CARBIDE QTY. | - | - | - | 3 | - | - | - | - | - | - |
| CENTER CARBIDE DIA. (mm) | - | - | - | 15.9 | - | - | - | - | - | - |
| CENTER CARBIDE DIA. (inch) | - | - | - | 5/8 | - | - | - | - | - | - |
| CENTER CARBIDE GRADE | - | - | - | G20 | - | - | - | - | - | - |
| CONE ANGLE (°) | - | -15 | -15 | -20 | - | - | -15 | - | -15 | - |
| CONE CARBIDE QTY. | - | 6 | 6 | 3 | - | - | 3 | - | 6 | - |
| CONE CARBIDE DIA. (mm) | - | 15.9 | 15.9 | 15.9 | - | - | 15.9 | - | 15.9 | - |
| CONE CARBIDE DIA. (inch) | - | 5/8 | 5/8 | 5/8 | - | - | 5/8 | - | 5/8 | - |
| CONE CARBIDE GRADE | - | G20 | G20 | G20 | - | - | G20 | - | G20 | - |

BLAST HOLE BITS

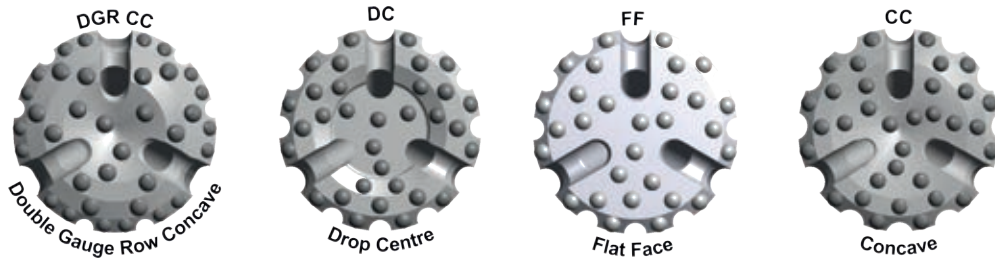
D75



| | | | |
|-----------------------------|---------|---------|---------|
| HEAD DIAMETER (mm) | 203 | 203 | 229 |
| HEAD DIAMETER (inch) | 8 | 8 | 9 |
| FACE DESIGN | DC | CC | DC |
| ITEM CODE | 1030890 | 1280149 | 1255336 |
| NUMBER OF PORTS | 3 | 3 | 3 |
| WEIGHT (kg) | 42.2 | 42 | 45.9 |
| BUTTON PROFILE | DM | DM | DM |
| GAUGE ANGLE (°) | 35 | 35 | 35 |
| GAUGE CARBIDE QTY. | 12 | 12 | 12 |
| GAUGE CARBIDE DIA. (mm) | 19 | 19 | 19 |
| GAUGE CARBIDE DIA. (inch) | 3/4 | 3/4 | 3/4 |
| GAUGE CARBIDE GRADE | G30 | G30 | G30 |
| GAUGE 2 ANGLE (°) | - | - | - |
| GAUGE 2 CARBIDE QTY. | - | - | - |
| GAUGE 2 CARBIDE DIA. (mm) | - | - | - |
| GAUGE 2 CARBIDE DIA. (inch) | - | - | - |
| GAUGE 2 CARBIDE GRADE | - | - | - |
| FACE CARBIDE QTY. | 12 | 9 | 15 |
| FACE CARBIDE DIA. (mm) | 18 | 18 | 19 |
| FACE CARBIDE DIA. (inch) | - | - | 3/4 |
| FACE CARBIDE GRADE | G20 | G30 | G30 |
| CENTER CARBIDE QTY. | 4 | - | 5 |
| CENTER CARBIDE DIA. (mm) | 18 | - | 18 |
| CENTER CARBIDE DIA. (inch) | - | - | - |
| CENTER CARBIDE GRADE | G20 | - | G20 |
| CONE ANGLE (°) | - | -15 | - |
| CONE CARBIDE QTY. | - | 6 | - |
| CONE CARBIDE DIA. (mm) | - | 18 | - |
| CONE CARBIDE DIA. (inch) | - | - | - |
| CONE CARBIDE GRADE | - | G20 | - |

BLAST HOLE BITS

QL80

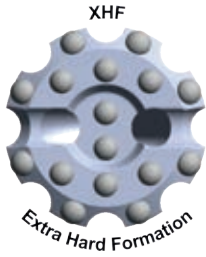


| | | | | | | |
|-----------------------------|---------|---------|---------|---------|---------|---------|
| HEAD DIAMETER (mm) | 203 | 216 | 229 | 229 | 229 | 229 |
| HEAD DIAMETER (inch) | 8 | 8 1/2 | 9 | 9 | 9 | 9 |
| FACE DESIGN | DGR CC | DGR CC | DC | CC | FF | FF |
| ITEM CODE | 1072556 | 1100745 | 1100749 | 1280150 | 1280116 | 1100748 |
| NUMBER OF PORTS | 3 | 3 | 3 | 3 | 3 | 3 |
| WEIGHT (kg) | 49.8 | 52.8 | 51.6 | 53.3 | 52.5 | 52.4 |
| BUTTON PROFILE | DM | DM | DM | DM | BA | DM |
| GAUGE ANGLE (°) | 35 | 35 | 35 | 35 | 35 | 35 |
| GAUGE CARBIDE QTY. | 18 | 18 | 12 | 12 | 12 | 12 |
| GAUGE CARBIDE DIA. (mm) | 15.9 | 15.9 | 19.0 | 19.0 | 19.0 | 19 |
| GAUGE CARBIDE DIA. (inch) | 5/8 | 5/8 | 3/4 | 3/4 | 3/4 | 3/4 |
| GAUGE CARBIDE GRADE | G20 | G30 | G20 | G30 | G20 | G30 |
| GAUGE 2 ANGLE (°) | 20 | 20 | - | - | - | - |
| GAUGE 2 CARBIDE QTY. | 6 | 6 | - | - | - | - |
| GAUGE 2 CARBIDE DIA. (mm) | 18.0 | 19.0 | - | - | - | - |
| GAUGE 2 CARBIDE DIA. (inch) | - | 3/4 | - | - | - | - |
| GAUGE 2 CARBIDE GRADE | G20 | G30 | - | - | - | - |
| FACE CARBIDE QTY. | 6 | 6 | 9 | 9 | 17 | 17 |
| FACE CARBIDE DIA. (mm) | 18.0 | 19.0 | 19.0 | 18.0 | 19.0 | 19 |
| FACE CARBIDE DIA. (inch) | - | 3/4 | 3/4 | - | 3/4 | 3/4 |
| FACE CARBIDE GRADE | G20 | G30 | G20 | G30 | G20 | G20 |
| CENTER CARBIDE QTY. | - | - | 5 | - | - | - |
| CENTER CARBIDE DIA. (mm) | - | - | 18.0 | - | - | - |
| CENTER CARBIDE DIA. (inch) | - | - | - | - | - | - |
| CENTER CARBIDE GRADE | - | - | G20 | - | - | - |
| CONE ANGLE (°) | -20 | -20 | -20 | -15 | - | - |
| CONE CARBIDE QTY. | 4 | 5 | 6 | 12 | - | - |
| CONE CARBIDE DIA. (mm) | 18.0 | 18.0 | 18.0 | 18.0 | - | - |
| CONE CARBIDE DIA. (inch) | - | - | - | - | - | - |
| CONE CARBIDE GRADE | 20 | 20 | 20 | 20 | - | - |

DTH BITS
RC BITS



RC BITS DR38



| | | | |
|----------------------------|---------|---------|---------|
| HEAD DIAMETER (mm) | 102.0 | 108.0 | 114.3 |
| HEAD DIAMETER (inch) | 4 | 4 1/4 | 4 1/2 |
| FACE DESIGN | XHF | XHF | XHF |
| ITEM CODE | 1043635 | 1101408 | 1043638 |
| RETENTION | NO | NO | NO |
| NUMBER OF PORTS | 2 | 2 | 2 |
| WEIGHT (kg) | 7.3 | 7.5 | 7.7 |
| BUTTON PROFILE | DM | DM | DM |
| GAUGE ANGLE (°) | 35 | 35 | 35 |
| GAUGE CARBIDE QTY. | 8 | 8 | 8 |
| GAUGE CARBIDE DIA. (mm) | 12.7 | 14.3 | 14.3 |
| GAUGE CARBIDE DIA. (inch) | 1/2 | 9/16 | 9/16 |
| GAUGE CARBIDE GRADE | G30 | G30 | G30 |
| FACE CARBIDE QTY. | 6 | 6 | 6 |
| FACE CARBIDE DIA. (mm) | 12 | 12 | 12.7 |
| FACE CARBIDE DIA. (inch) | - | - | 1/2 |
| FACE CARBIDE GRADE | G20 | G20 | G20 |
| CENTER CARBIDE QTY. | 2 | 2 | 3 |
| CENTER CARBIDE DIA. (mm) | 12 | 12 | 12.7 |
| CENTER CARBIDE DIA. (inch) | - | - | 1/2 |
| CENTER CARBIDE GRADE | G20 | G20 | G20 |

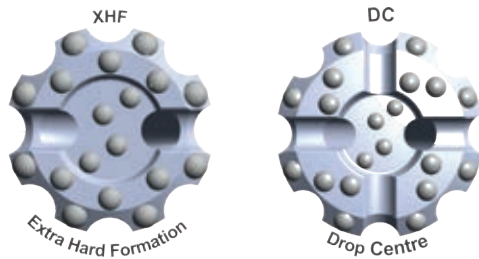
NON-RETENTION

| BIT DIAMETER (mm) | BIT DIAMETER (inch) | CHUCK SLEEVE PART # | CHUCK SLEEVE DIA. (mm) | CHUCK SLEEVE DIA. (inch) |
|-------------------|---------------------|---------------------|------------------------|--------------------------|
| 102.0 | 4 | 1043646 | 100.0 | 3 15/16 |
| 108.0 | 4 1/4 | 1043648 | 106.4 | 4 3/16 |
| 114.3 | 4 1/2 | 1043649 | 112.7 | 4 7/16 |

* For hole collaring only
 ** Recommended Chuck Sleeve size is 1/16" smaller than nominated bit size.

RC BITS

DR43



| | | | | | | |
|----------------------------|---------|---------|---------|---------|---------|---------|
| HEAD DIAMETER (mm) | 117.5 | 120.7 | 123.8 | 127.0 | 158.8 | 165.1 |
| HEAD DIAMETER (inch) | 4 5/8 | 4 3/4 | 4 7/8 | 5 | 6 1/4 | 6 1/2 |
| FACE DESIGN | XHF | XHF | XHF | XHF | DC | DC* |
| ITEM CODE | 1270096 | 1270097 | 1270098 | 1270099 | 1270095 | 1280223 |
| NUMBER OF PORTS | 2 | 2 | 2 | 2 | 2 | 2 |
| WEIGHT (kg) | 10.7 | 10.8 | 11 | 11.5 | 13.6 | 14.1 |
| BUTTON PROFILE | DM | DM | DM | DM | DM | DM |
| GAUGE ANGLE (°) | 35 | 35 | 35 | 35 | 35 | 35 |
| GAUGE CARBIDE QTY. | 8 | 8 | 8 | 8 | 8 | 8 |
| GAUGE CARBIDE DIA. (mm) | 14.3 | 14.3 | 14.3 | 15.9 | 15.9 | 15.9 |
| GAUGE CARBIDE DIA. (inch) | 9/16 | 9/16 | 9/16 | 5/8 | 5/8 | 5/8 |
| GAUGE CARBIDE GRADE | G30 | G30 | G30 | G30 | G30 | G30 |
| FACE CARBIDE QTY. | 6 | 6 | 6 | 6 | 8 | 8 |
| FACE CARBIDE DIA. (mm) | 12.7 | 12.7 | 14.3 | 14.3 | 15.9 | 15.9 |
| FACE CARBIDE DIA. (inch) | 1/2 | 1/2 | 9/16 | 9/16 | 5/8 | 5/8 |
| FACE CARBIDE GRADE | G20 | G20 | G20 | G20 | G20 | G20 |
| CENTER CARBIDE QTY. | 4 | 4 | 4 | 4 | 4 | 4 |
| CENTER CARBIDE DIA. (mm) | 12.7 | 12.7 | 12.7 | 12.7 | 12.7 | 12.7 |
| CENTER CARBIDE DIA. (inch) | 1/2 | 1/2 | 1/2 | 1/2 | 1/2 | 1/2 |
| CENTER CARBIDE GRADE | G20 | G20 | G20 | G20 | G20 | G20 |

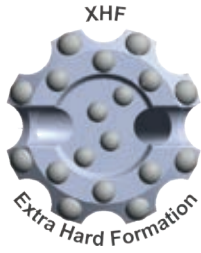
CHUCK SLEEVE SIZING**

| BIT DIAMETER (mm) | BIT DIAMETER (inch) | CHUCK SLEEVE PART # | CHUCK SLEEVE DIA. (mm) | CHUCK SLEEVE DIA. (inch) |
|-------------------|---------------------|---------------------|------------------------|--------------------------|
| 117.5 | 4 5/8 | 1270103 | 115.9 | 4 9/16 |
| 120.7 | 4 3/4 | 1270104 | 119.1 | 4 11/16 |
| 123.8 | 4 7/8 | 1270105 | 122.2 | 4 13/16 |
| 127.0 | 5 | 1270106 | 125.4 | 4 15/16 |
| 158.8 | 6 1/4 | 1270100 | 157.2 | 6 3/16 |
| 165.1 | 6 1/2 | 9001091 | 163.5 | 6 7/16 |

* For hole collaring only

** Recommended Chuck Sleeve size is 1/16" smaller than nominated bit size.

DR43 RETENTION



| | | | |
|----------------------------|---------|---------|---------|
| HEAD DIAMETER (mm) | 120.7 | 123.8 | 127.0 |
| HEAD DIAMETER (inch) | 4 3/4 | 4 7/8 | 5 |
| FACE DESIGN | XHF | XHF | XHF |
| ITEM CODE | 1280214 | 1280215 | 1280216 |
| NUMBER OF PORTS | 2 | 2 | 2 |
| WEIGHT (kg) | 10.8 | 11 | 11.5 |
| BUTTON PROFILE | DM | DM | DM |
| GAUGE ANGLE (°) | 35 | 35 | 35 |
| GAUGE CARBIDE QTY. | 8 | 8 | 8 |
| GAUGE CARBIDE DIA. (mm) | 14.3 | 14.3 | 15.9 |
| GAUGE CARBIDE DIA. (inch) | 9/16 | 9/16 | 5/8 |
| GAUGE CARBIDE GRADE | G30 | G30 | G30 |
| FACE CARBIDE QTY. | 6 | 6 | 6 |
| FACE CARBIDE DIA. (mm) | 12.7 | 14.3 | 14.3 |
| FACE CARBIDE DIA. (inch) | 1/2 | 9/16 | 9/16 |
| FACE CARBIDE GRADE | G20 | G20 | G20 |
| CENTER CARBIDE QTY. | 4 | 4 | 4 |
| CENTER CARBIDE DIA. (mm) | 12.7 | 12.7 | 12.7 |
| CENTER CARBIDE DIA. (inch) | 1/2 | 1/2 | 1/2 |
| CENTER CARBIDE GRADE | G20 | G20 | G20 |
| CENTER CARBIDE GRADE | G20 | G20 | G20 |

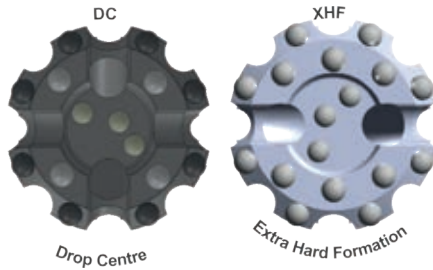
CHUCK SLEEVE SIZING**

| BIT DIAMETER (mm) | BIT DIAMETER (inch) | CHUCK SLEEVE PART # | CHUCK SLEEVE DIA. (mm) | CHUCK SLEEVE DIA. (inch) |
|-------------------|---------------------|---------------------|------------------------|--------------------------|
| 120.7 | 4 3/4 | 1280217 | 119.1 | 4 11/16 |
| 123.8 | 4 7/8 | 1280218 | 122.2 | 4 13/16 |
| 127.0 | 5 | 9001065 | 125.4 | 4 15/16 |

* For hole collaring only
 ** Recommended Chuck Sleeve size is 1/16" smaller than nominated bit size.

RC BITS

DR44



| | | | | | | | | | |
|----------------------------|---------|---------|---------|---------|---------|---------|---------|---------|---------|
| HEAD DIAMETER (mm) | 130.2 | 133.4 | 133.4 | 136.5 | 139.7 | 139.7 | 139.7 | 165.1 | 190.5 |
| HEAD DIAMETER (inch) | 5 1/8 | 5 1/4 | 5 1/4 | 5 3/8 | 5 1/2 | 5 1/2 | 5 1/2 | 6 1/2 | 7 1/2 |
| FACE DESIGN | XHF | XHF | XHF | XHF | DC | HF | XHF | DC | DC |
| ITEM CODE | 1194335 | 1259378 | 1046952 | 1101419 | 1046955 | 1101420 | 1048174 | 1101421 | 1059558 |
| RETENTION | NO | NO | NO | NO | NO | NO | NO | NO | NO |
| NUMBER OF PORTS | 2 | 2 | 2 | 2 | 2 | 2 | 2 | 2 | 2 |
| WEIGHT (kg) | 14.7 | 14.4 | 14.4 | 15.3 | 15.5 | 15.7 | 15.7 | 17.7 | 22 |
| BUTTON PROFILE | DM | DM | DM | DM | DM | DM | DM | DM | DM |
| GAUGE ANGLE (°) | 35 | 35 | 35 | 35 | 35 | 35 | 35 | 35 | 35 |
| GAUGE CARBIDE QTY. | 8 | 8 | 8 | 8 | 8 | 8 | 8 | 8 | 8 |
| GAUGE CARBIDE DIA. (mm) | 15.9 | 15.9 | 15.9 | 15.9 | 15.9 | 15.9 | 15.9 | 18 | 18 |
| GAUGE CARBIDE DIA. (inch) | 5/8 | 5/8 | 5/8 | 5/8 | 5/8 | 5/8 | 5/8 | - | - |
| GAUGE CARBIDE GRADE | G30 | G30 | G30 | G30 | G30 | G30 | G30 | G20 | G20 |
| FACE CARBIDE QTY. | 6 | 6 | 6 | 6 | 4 | 6 | 6 | 8 | 10 |
| FACE CARBIDE DIA. (mm) | 15.9 | 15.9 | 15.9 | 15.9 | 15.9 | 15.9 | 15.9 | 15.9 | 15.9 |
| FACE CARBIDE DIA. (inch) | 5/8 | 5/8 | 5/8 | 5/8 | 5/8 | 5/8 | 5/8 | 5/8 | 5/8 |
| FACE CARBIDE GRADE | G30 | G30 | G30 | G30 | G30 | G30 | G30 | G20 | G20 |
| CENTER CARBIDE QTY. | 3 | 4 | 4 | 3 | 3 | 3 | 3 | 2 | 2 |
| CENTER CARBIDE DIA. (mm) | 14.3 | 14.3 | 14.3 | 14.3 | 14.3 | 14.3 | 14.3 | 15.9 | 15.9 |
| CENTER CARBIDE DIA. (inch) | 9/16 | 9/16 | 9/16 | 9/16 | 9/16 | 9/16 | 9/16 | 5/8 | 5/8 |
| CENTER CARBIDE GRADE | G20 | G20 | G20 | G20 | G20 | G20 | G20 | G20 | G20 |

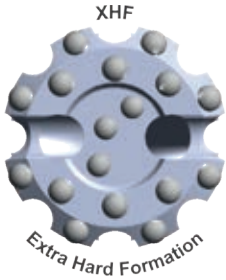
CHUCK SLEEVE SIZING**

| BIT DIAMETER (mm) | BIT DIAMETER (inch) | CHUCK SLEEVE PART # | CHUCK SLEEVE DIA. (mm) | CHUCK SLEEVE DIA. (inch) |
|-------------------|---------------------|---------------------|------------------------|--------------------------|
| 130.2 | 5 1/8 | 1046956 | 128.6 | 5 1/16 |
| 133.4 | 5 1/4 | 1046958 | 131.8 | 5 3/16 |
| 136.5 | 5 3/8 | 1046959 | 134.9 | 5 5/16 |
| 139.7 | 5 1/2 | 1046960 | 138.1 | 5 7/16 |
| 165.1 | 6 1/2 | 1107178 | 163.5 | 6 7/16 |
| 190.5 | 7 1/2 | 1059560 | 188.9 | 7 7/16 |

* For hole collaring only

** Recommended Chuck Sleeve size is 1/16" smaller than nominated bit size.

RC BITS DR53



DTH Bits

| | | | | | | | | | | | |
|----------------------------|---------|---------|---------|---------|---------|---------|---------|---------|---------|---------|---------|
| HEAD DIAMETER (mm) | 127.0 | 130.2 | 133.3 | 136.5 | 136.5 | 139.7 | 139.7 | 142.9 | 158.8 | 165.1 | 190.5 |
| HEAD DIAMETER (inch) | 5 | 5 1/8 | 5 1/4 | 5 3/8 | 5 3/8 | 5 1/2 | 5 1/2 | 5 5/8 | 6 1/4 | 6 1/2 | 7 1/2 |
| FACE DESIGN | XHF | XHF | XHF | DC | XHF | DC | XHF | DC | DC* | DC* | DC* |
| ITEM CODE | 1280156 | 1280155 | 1280157 | 1101424 | 1101423 | 1101425 | 1101437 | 1201146 | 1102120 | 1101441 | 1101443 |
| NUMBER OF PORTS | 2 | 2 | 2 | 2 | 2 | 2 | 2 | 2 | 2 | 2 | 2 |
| WEIGHT (kg) | 15.5 | 15.7 | 16.1 | 16.4 | 16.6 | 16.7 | 16.5 | 16.9 | 18.3 | 19 | 25.2 |
| BUTTON PROFILE | DM | DM | DM | DM | DM | DM | DM | DM | DM | DM | DM |
| GAUGE ANGLE (°) | 35 | 35 | 35 | 35 | 35 | 35 | 35 | 35 | 35 | 35 | 35 |
| GAUGE CARBIDE QTY. | 8 | 8 | 8 | 8 | 8 | 8 | 8 | 8 | 8 | 8 | 8 |
| GAUGE CARBIDE DIA. (mm) | 15.9 | 15.9 | 15.9 | 15.9 | 15.9 | 15.9 | 15.9 | 15.9 | 15.9 | 18 | 18 |
| GAUGE CARBIDE DIA. (inch) | 5/8 | 5/8 | 5/8 | 5/8 | 5/8 | 5/8 | 5/8 | 5/8 | 5/8 | - | - |
| GAUGE CARBIDE GRADE | G30 | G30 | G30 | G30 | G30 | G30 | G30 | G30 | G30 | G20 | G20 |
| FACE CARBIDE QTY. | 6 | 6 | 6 | 4 | 6 | 4 | 6 | 6 | 6 | 8 | 10 |
| FACE CARBIDE DIA. (mm) | 14.3 | 15.9 | 15.9 | 15.9 | 15.9 | 15.9 | 15.9 | 15.9 | 15.9 | 15.9 | 15.9 |
| FACE CARBIDE DIA. (inch) | 9/16 | 5/8 | 5/8 | 5/8 | 5/8 | 5/8 | 5/8 | 5/8 | 5/8 | 5/8 | 5/8 |
| FACE CARBIDE GRADE | G30 | G30 | G30 | G30 | G30 | G30 | G30 | G30 | G30 | G20 | G20 |
| CENTER CARBIDE QTY. | 4 | 4 | 3 | 3 | 3 | 3 | 3 | 3 | 3 | 2 | 2 |
| CENTER CARBIDE DIA. (mm) | 12.7 | 12.7 | 14.3 | 14.3 | 14.3 | 14.3 | 14.3 | 14.3 | 14.3 | 15.9 | 15.9 |
| CENTER CARBIDE DIA. (inch) | 1/2 | 1/2 | 9/16 | 9/16 | 9/16 | 9/16 | 9/16 | 9/16 | 9/16 | 5/8 | 5/8 |
| CENTER CARBIDE GRADE | G20 | G20 | G20 | G20 | G20 | G20 | G20 | G20 | G20 | G20 | G20 |

CHUCK SLEEVE SIZING**

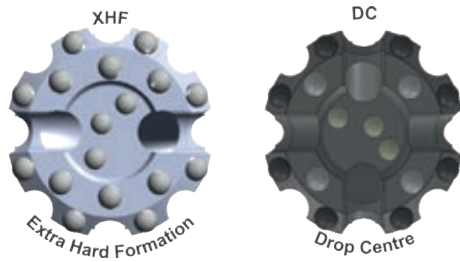
| BIT DIAMETER (mm) | BIT DIAMETER (inch) | CHUCK SLEEVE PART # | CHUCK SLEEVE DIA. (mm) | CHUCK SLEEVE DIA. (inch) |
|-------------------|---------------------|---------------------|------------------------|--------------------------|
| 127.0 | 5 | 1280151 | 125.4 | 4 15/16 |
| 130.2 | 5 1/8 | 1280153 | 128.6 | 5 1/16 |
| 133.3 | 5 1/4 | 1107216 | 131.8 | 5 3/16 |
| 136.5 | 5 3/8 | 1107219 | 134.9 | 5 5/16 |
| 139.7 | 5 1/2 | 1107221 | 138.1 | 5 7/16 |
| 142.9 | 5 5/8 | 1107224 | 141.3 | 5 9/16 |
| 158.8 | 6 1/4 | 1107661 | 157.2 | 6 3/16 |
| 165.1 | 6 1/2 | 1107225 | 163.5 | 6 7/16 |
| 190.5 | 7 1/2 | 1107226 | 188.9 | 7 7/16 |

* For hole collaring only

** Recommended Chuck Sleeve size is 1/16" smaller than nominated bit size.

RC BITS

DR53 RETENTION

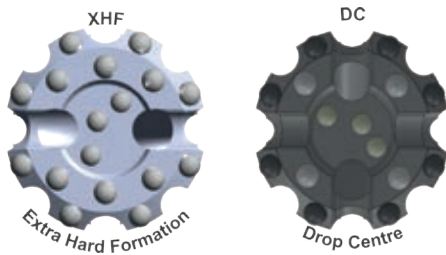


| | | | |
|----------------------------|---------|---------|---------|
| HEAD DIAMETER (mm) | 136.5 | 139.7 | 142.9 |
| HEAD DIAMETER (inch) | 5 3/8 | 5 1/2 | 5 5/8 |
| FACE DESIGN | XHF | XHF | XHF |
| ITEM CODE | 1216712 | 1216713 | 1216714 |
| NUMBER OF PORTS | 2 | 2 | 2 |
| WEIGHT (kg) | 18 | 18.1 | 18.3 |
| BUTTON PROFILE | DM | DM | DM |
| GAUGE ANGLE (°) | 35 | 35 | 35 |
| GAUGE CARBIDE QTY. | 8 | 8 | 8 |
| GAUGE CARBIDE DIA. (mm) | 15.9 | 15.9 | 15.9 |
| GAUGE CARBIDE DIA. (inch) | 5/8 | 5/8 | 5/8 |
| GAUGE CARBIDE GRADE | G30 | G30 | G30 |
| FACE CARBIDE QTY. | 6 | 6 | 6 |
| FACE CARBIDE DIA. (mm) | 15.9 | 15.9 | 15.9 |
| FACE CARBIDE DIA. (inch) | 5/8 | 5/8 | 5/8 |
| FACE CARBIDE GRADE | G30 | G30 | G30 |
| CENTER CARBIDE QTY. | 3 | 3 | 3 |
| CENTER CARBIDE DIA. (mm) | 14.3 | 14.3 | 14.3 |
| CENTER CARBIDE DIA. (inch) | 9/16 | 9/16 | 9/16 |
| CENTER CARBIDE GRADE | G20 | G20 | G20 |

CHUCK SLEEVE SIZING**

| BIT DIAMETER (mm) | BIT DIAMETER (inch) | CHUCK SLEEVE PART # | CHUCK SLEEVE DIA. (mm) | CHUCK SLEEVE DIA. (inch) |
|-------------------|---------------------|---------------------|------------------------|--------------------------|
| 136.5 | 5 3/8 | 1216717 | 134.9 | 5 5/16 |
| 139.7 | 5 1/2 | 1216716 | 138.1 | 5 7/16 |
| 142.9 | 5 5/8 | 1216715 | 141.3 | 5 9/16 |

RC BITS DR55



| | | | | | | |
|----------------------------|---------|---------|---------|---------|---------|---------|
| HEAD DIAMETER (mm) | 136.5 | 139.7 | 142.9 | 146.0 | 165.1 | 190.5 |
| HEAD DIAMETER (inch) | 5 3/8 | 5 1/2 | 5 5/8 | 5 3/4 | 6 1/2 | 7 1/2 |
| FACE DESIGN | XHF | XHF | XHF | XHF | DC* | DC* |
| ITEM CODE | 1193930 | 1194008 | 1194011 | 1194700 | 1070913 | 1045566 |
| NUMBER OF PORTS | 2 | 2 | 2 | 2 | 2 | 2 |
| WEIGHT (kg) | 17.9 | 18 | 18.2 | 18.4 | 18.7 | 24.3 |
| BUTTON PROFILE | DM | DM | DM | DM | DM | DM |
| GAUGE ANGLE (°) | 35 | 35 | 35 | 35 | 35 | 35 |
| GAUGE CARBIDE QTY. | 8 | 8 | 8 | 8 | 8 | 8 |
| GAUGE CARBIDE DIA. (mm) | 15.9 | 15.9 | 15.9 | 15.9 | 15.9 | 18 |
| GAUGE CARBIDE DIA. (inch) | 5/8 | 5/8 | 5/8 | 5/8 | 5/8 | - |
| GAUGE CARBIDE GRADE | G30 | G30 | G30 | G30 | G20 | G20 |
| FACE CARBIDE QTY. | 6 | 6 | 6 | 6 | 8 | 10 |
| FACE CARBIDE DIA. (mm) | 15.9 | 15.9 | 15.9 | 15.9 | 15.9 | 15.9 |
| FACE CARBIDE DIA. (inch) | 5/8 | 5/8 | 5/8 | 5/8 | 5/8 | 5/8 |
| FACE CARBIDE GRADE | G30 | G30 | G30 | G30 | G20 | G20 |
| CENTER CARBIDE QTY. | 3 | 3 | 3 | 3 | 3 | 2 |
| CENTER CARBIDE DIA. (mm) | 14.3 | 14.3 | 14.3 | 14.3 | 14.3 | 15.9 |
| CENTER CARBIDE DIA. (inch) | 9/16 | 9/16 | 9/16 | 9/16 | 9/16 | 5/8 |
| CENTER CARBIDE GRADE | G20 | G20 | G20 | G20 | G20 | G20 |

CHUCK SLEEVE SIZING**

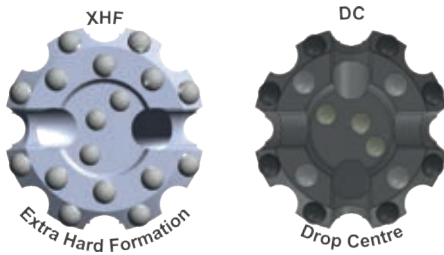
| BIT DIAMETER (mm) | BIT DIAMETER (inch) | CHUCK SLEEVE PART # | CHUCK SLEEVE DIA. (mm) | CHUCK SLEEVE DIA. (inch) |
|-------------------|---------------------|---------------------|------------------------|--------------------------|
| 136.5 | 5 3/8 | 1051770 | 134.9 | 5 5/16 |
| 139.7 | 5 1/2 | 1051774 | 138.1 | 5 7/16 |
| 142.9 | 5 5/8 | 1051779 | 141.3 | 5 9/16 |
| 146.0 | 5 3/4 | 1051781 | 144.5 | 5 11/16 |
| 165.1 | 6 1/2 | 1051782 | 163.5 | 6 7/16 |
| 190.5 | 7 1/2 | 1051784 | 188.9 | 7 7/16 |
| 158.8 | 6 1/4 | 1107661 | 157.2 | 6 3/16 |
| 165.1 | 6 1/2 | 1107225 | 163.5 | 6 7/16 |
| 190.5 | 7 1/2 | 1107226 | 188.9 | 7 7/16 |

* For hole collaring only

** Recommended Chuck Sleeve size is 1/16" smaller than nominated bit size.

RC BITS

DR55 RETENTION



| | | | | | | |
|----------------------------|---------|---------|---------|---------|---------|---------|
| HEAD DIAMETER (mm) | 136.5 | 139.7 | 142.9 | 146.0 | 158.8 | 190.5 |
| HEAD DIAMETER (inch) | 5 3/8 | 5 1/2 | 5 5/8 | 5 3/4 | 6 1/4 | 7 1/2 |
| FACE DESIGN | XHF | XHF | XHF | XHF | DC* | DC* |
| ITEM CODE | 1101444 | 1045322 | 1054746 | 1101492 | 1048207 | 1046865 |
| NUMBER OF PORTS | 2 | 2 | 2 | 2 | 2 | 2 |
| WEIGHT (kg) | 17.5 | 18.6 | 18.8 | 18.9 | 19.6 | 23.5 |
| BUTTON PROFILE | DM | DM | DM | DM | DM | DM |
| GAUGE ANGLE (°) | 35 | 35 | 35 | 35 | 35 | 35 |
| GAUGE CARBIDE QTY. | 8 | 8 | 8 | 8 | 8 | 8 |
| GAUGE CARBIDE DIA. (mm) | 15.9 | 15.9 | 15.9 | 15.9 | 15.9 | 18 |
| GAUGE CARBIDE DIA. (inch) | 5/8 | 5/8 | 5/8 | 5/8 | 5/8 | - |
| GAUGE CARBIDE GRADE | G30 | G30 | G30 | G30 | G20 | G20 |
| FACE CARBIDE QTY. | 6 | 6 | 6 | 6 | 6 | 10 |
| FACE CARBIDE DIA. (mm) | 15.9 | 15.9 | 15.9 | 15.9 | 15.9 | 15.9 |
| FACE CARBIDE DIA. (inch) | 5/8 | 5/8 | 5/8 | 5/8 | 5/8 | 5/8 |
| FACE CARBIDE GRADE | G30 | G30 | G30 | G30 | G20 | G20 |
| CENTER CARBIDE QTY. | 3 | 3 | 3 | 3 | 3 | 2 |
| CENTER CARBIDE DIA. (mm) | 14.3 | 14.3 | 14.3 | 14.3 | 14.3 | 14.3 |
| CENTER CARBIDE DIA. (inch) | 9/16 | 9/16 | 9/16 | 9/16 | 9/16 | 9/16 |
| CENTER CARBIDE GRADE | G20 | G20 | G20 | G20 | G20 | G20 |

CHUCK SLEEVE SIZING**

| BIT DIAMETER (mm) | BIT DIAMETER (inch) | CHUCK SLEEVE PART # | CHUCK SLEEVE DIA. (mm) | CHUCK SLEEVE DIA. (inch) |
|-------------------|---------------------|---------------------|------------------------|--------------------------|
| 136.5 | 5 3/8 | 1051291 | 134.9 | 5 5/16 |
| 139.7 | 5 1/2 | 1051761 | 138.1 | 5 7/16 |
| 142.9 | 5 5/8 | 1051764 | 141.3 | 5 9/16 |
| 146.0 | 5 3/4 | 1051767 | 144.5 | 5 11/16 |
| 158.8 | 6 1/4 | 1048204 | 157.2 | 6 3/16 |
| 190.5 | 7 1/2 | 1070953 | 188.9 | 7 7/16 |

* For hole collaring only

** Recommended Chuck Sleeve size is 1/16" smaller than nominated bit size.



CASING ADVANCING SYSTEMS

DTH Prime

DTH Prime DT

DTH-RoX(+)

DTH-RoX MU

DTH SR

DTH SF

CDS-R

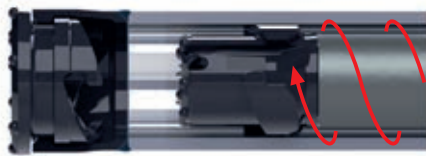
CDS-RS

DTH-REC



CASING SYSTEMS CODES

RoX – Automatic spiral locking (Patented)



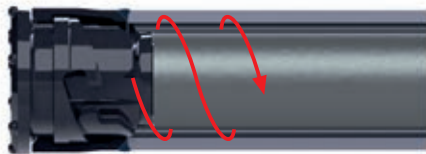
1.) Drive the pilot bit through the casing tube



2.) Rotate to locked position in the ring bit



3.) Robit® Casing System is READY TO DRILL



4.) Finish drilling by rotating the pilot bit in opposite direction and pulling it out

Buttons

All the products are available with ballistic or SuperDome buttons.



Ballistic button












SuperDome button

Casing Systems codes

e.g. **DTH** - **RoX** **MU** **114,3** / **10**

| | | |
|-------------------------------|---|----------------------|
| Maximum casing wall thickness | = | 10 mm (0.394") |
| Casing outer diameter | = | 114,3 mm (4 1/2") |
| Model | = | MU (Multi-Use) |
| Series type | = | RoX (Spiral locking) |
| Type of use | = | DTH (Down the Hole) |

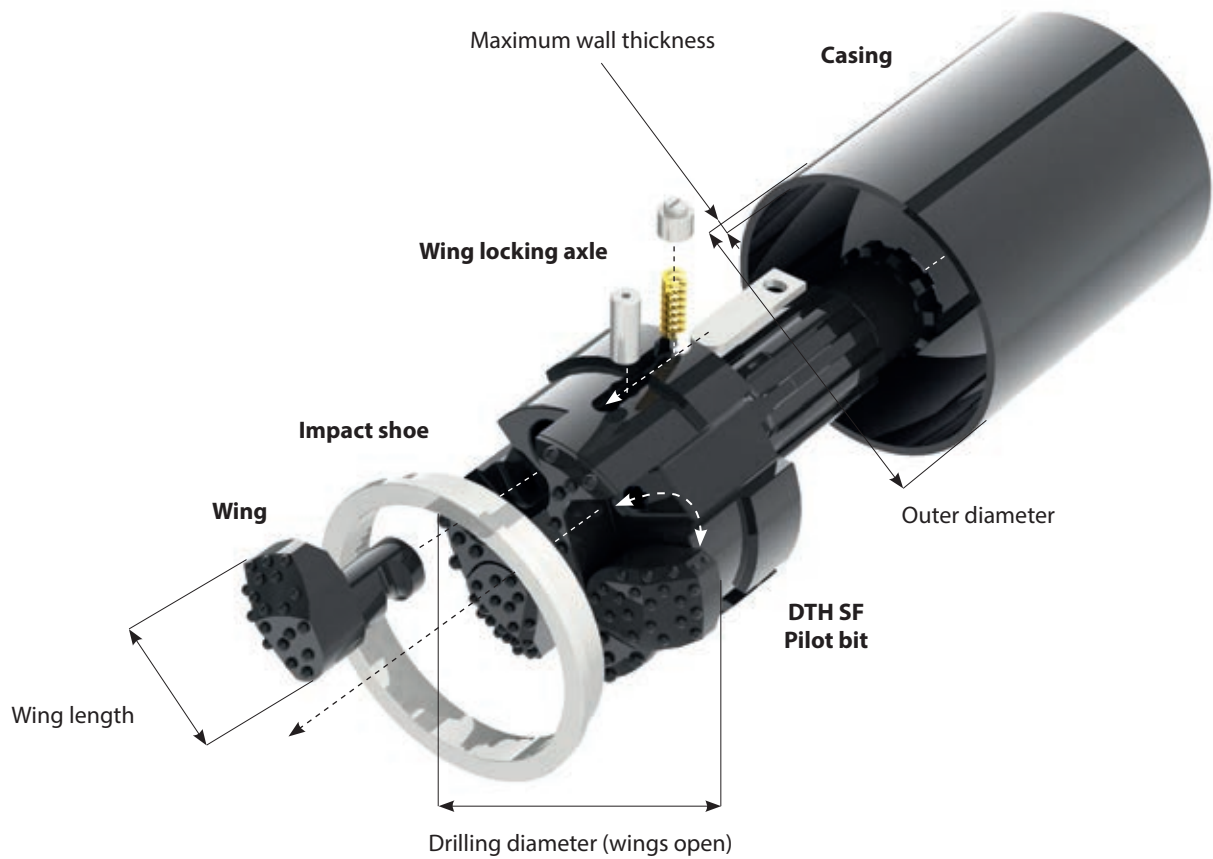
Casing installation

| Model | | Permanent Casing | Temporary Casing |
|--------------|---|------------------|------------------|
| DTH-RoX+ |  | x | |
| DTH-RoX++ |  | x | |
| DTH Prime |  | x | |
| DTH Prime DT |  | x | |
| DTH SR |  | x | x |
| DTH SF |  | x | x |
| DTH-RoX MU |  | x | x |
| CDS-R(S) |  | x | x |
| DTH-REC |  | x | x |

DTH-RoX+ System parts and dimensions



Steel Fist System parts and dimensions



Standard shank designs

Robit® system size

| [mm] | [in] | |
|-------|------|--|
| 114,3 | 4 ½ | DHD 3,5" |
| 127,0 | 5 | DHD 3,5", DHD 340, TD 40 |
| 139,7 | 5 ½ | DHD 340, QL 40, SD-4, COP 42/44, TD 40 |
| 152,4 | 6 | DHD 340, QL 40, SD-4, COP 42/44, TD 40 |
| 168,3 | 6 ⅝ | DHD 350, QL 50, SD-5, COP 52/54 |
| 177,8 | 7 | DHD 350, QL 50, SD-5, COP 52/54 |
| 193,7 | 7 ⅝ | DHD 360, QL 60, SD-6 |
| 219,1 | 8 ⅝ | DHD 360, QL 60, SD-6 |
| 244,5 | 9 ⅝ | DHD 360/380, QL 60/80, SD-6/8 |
| 254,0 | 10 | DHD 380, QL 80, SD-8 |
| 267,0 | 10 ½ | DHD 380, QL 80, SD-8 |
| 273,0 | 10 ¾ | DHD 380, QL 80, SD-8 |
| 323,9 | 12 ¾ | DHD 380, QL 80, SD-8/10, N125 |

Standard shank design

| [mm] | [in] | |
|--------|------|--|
| 355,6 | 14 | DHD 112, QL 120, SD-10/12, N120/125 |
| 406,4 | 16 | DHD 112, QL 120, SD-10/12, N120/125 |
| 457,2 | 18 | DHD 112/S, QL 120, SD-12/15, N120/125 |
| 508,0 | 20 | DHD 112S, QL 120/200, SD-15/18, N125/180 |
| 558,8 | 22 | DHD 112S, QL 120/200, SD-15/18, N180 |
| 609,6 | 24 | QL 200, SD-18, N180 |
| 660,4 | 26 | QL 200, SD-18, N180/240 |
| 711,2 | 28 | QL 200S, SD-18, N180/240 |
| 762,0 | 30 | QL 200S, SD-18, N180/240 |
| 812,8 | 32 | QL 200S, N180/240 |
| 914,4 | 36 | QL 200S, N180/240/330 |
| 1016,0 | 40 | QL 300, N240/330 |
| 1220,0 | 48 | N240/330, SS30 |
| 1320,0 | 52 | H331 |

All inquiries for other shank designs please contact Robit sales.

Drilling with DTH casing system

1. Pulldown/Feed force

The moderate pulldown force on pilot is 9 kg/ring bit OD in mm (500 lbs/inch)

2. Rotation speed

Normal operating RPM is 7620/ring bit OD in mm (see chart 1.)

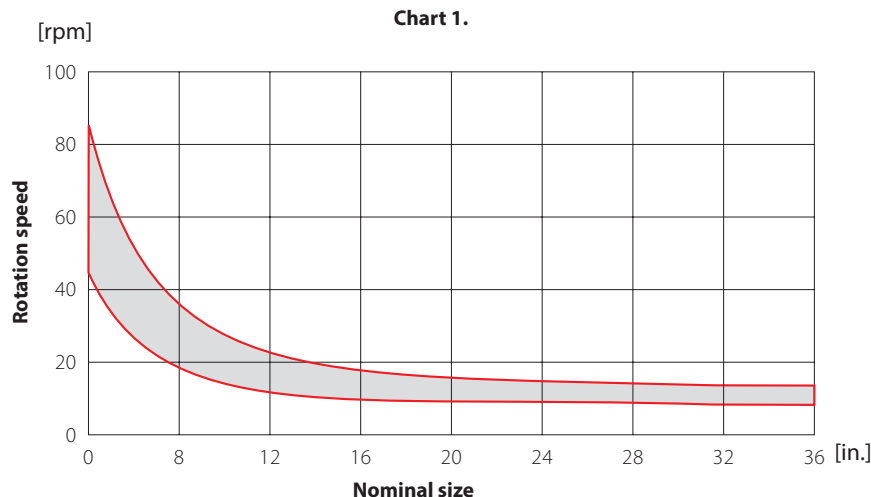
3. Compressor pressure

Normal operating pressure is from 12 to 15 bar or 180 to 225 psi. Note: in loose formation (i.e. sand) compressor can be set to 7 bar or 100 psi

4. Flushing

Drill exhaust air passes through the bit to clean the bit face and carry cuttings to the surface up the annular space between the drill pipe and the casing tube. Air velocity varies 12-18 m/s between drill rod and casing.

Drill rod and casing gap is typically ~50 mm under Ø406 mm systems. With the bigger diameters the gap will grow.



DTH Prime

Durable piling solutions for demanding conditions

Robit® DTH Prime products allow you to drill **both threaded and welded casing tubes with the same ring bit**. **Fitting and welding** are made **easy** with a pile coupling structure, while the **ring bit carry capacity is guaranteed** to exceed the burden of maximum casing grades (S550). **Large gauge buttons** enhance ring bit durability with the long-life mentality carried over to pilot design. **Flushing grooves are optimized** for the toughest of conditions and optional **“Flow Control”** model also available, where the ring bit runs ahead of the pilot bit to minimize air escaping to surrounding ground. **Reliable spiral locking mechanism** is also used in the DTH Prime system. **With the Prime DT pilot bit you are able to drill with the same ring bit and continue drilling through the ring assembly deep to the bedrock to create a rock socket**. Robit® DTH Prime products are available for piling applications ranging from 114,3 to 1220 mm. Find out more from our sales representatives at +358 3 3140 3400 or sales@robitgroup.com. Meet us online at robitgroup.com.

DTH Prime

Drilling parameters example

| | |
|--------------------------|---|
| Product | DTH Prime 219,1/12,7 |
| Rock / Ground conditions | All rock and ground formations |
| Application | Piling |
| DTH hammer size | 6” |
| Rotation speed | 20 - 30 RPM |
| Torque | 2200 - 3200 Nm |
| | 20 - 24 m ³ /min Max:17 kg/cm ² |
| Compressor output | 707 - 848 CFM 250 psi |
| Compressor pressure | 10 - 16 bar |

NOTE: Parameters may vary depending on ground / rock conditions, application and machinery.

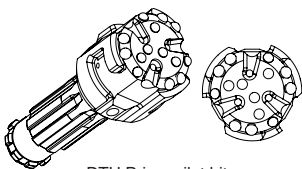


DTH Prime

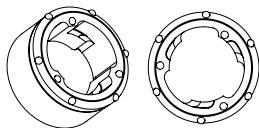
| Order code | Casing | | | | Ring bit | | | | Pilot bit | Hammer | Weight | | |
|--------------------------|--------|------|------|-------|----------|--------|------|--------|-----------|--------|--------|-------|--------|
| | [mm] | [in] | [mm] | [in] | [mm] | [in] | [mm] | [in] | [mm] | [in] | [kg] | [kg] | |
| DTH Prime 114,3/10 | 114,3 | 4 ½ | 10 | 0.394 | 80 | 3.150 | 135 | 5.315 | 91,5 | 3.602 | 3" | 4.4 | 6.1 |
| DTH Prime 139,7/10 | 139,7 | 5 ½ | 10 | 0.394 | 100 | 3.937 | 161 | 6.339 | 116 | 4.567 | 4" | 5.8 | 10.2 |
| DTH Prime 168,3/12,7 | 168,3 | 6 ⅝ | 12,7 | 0.500 | 126 | 4.961 | 191 | 7.520 | 140 | 5.512 | 5" | 8.4 | 17.9 |
| DTH Prime 219,1/12,7 | 219,1 | 8 ⅝ | 12,7 | 0.500 | 172 | 6.772 | 241 | 9.488 | 190 | 7.480 | 6" | 11.6 | 30.6 |
| DTH Prime 273/12,7 | 273 | 10 ¾ | 12,7 | 0.500 | 222 | 8.740 | 304 | 11.969 | 245 | 9.646 | 8" | 17.5 | 66.3 |
| DTH Prime XL2 273/12,7 | 273 | 10 ¾ | 12,7 | 0.500 | 222 | 8.740 | 327 | 12.874 | 245 | 9.646 | 8" | 21.0 | 66.3 |
| DTH Prime 323,9/12,7 | 323,9 | 12 ¾ | 12,7 | 0.500 | 272 | 10.709 | 350 | 13.780 | 295 | 11.614 | 8-10" | 20.2 | 77.2 |
| DTH Prime XL2 323,9/12,7 | 323,9 | 12 ¾ | 12,7 | 0.500 | 272 | 10.709 | 377 | 14.843 | 295 | 11.614 | 8-10" | 24.1 | 77.2 |
| DTH Prime 406,4/12,7 | 406,4 | 16 | 12,7 | 0.500 | 354 | 13.937 | 442 | 17.402 | 374 | 14.724 | 10-12" | 34.0 | 180.0 |
| DTH Prime XL2 406,4/12,7 | 406,4 | 16 | 12,7 | 0.500 | 354 | 13.937 | 460 | 18.110 | 374 | 14.724 | 10-12" | 36.9 | 180.0 |
| DTH Prime 508/16 | 508 | 20 | 16 | 0.630 | 438 | 17.244 | 548 | 21.575 | 467 | 18.386 | 12-18" | 61.0 | 450.0 |
| DTH Prime 609,6/16 | 609,6 | 24 | 16 | 0.630 | 540 | 21.260 | 650 | 25.591 | 568 | 22.362 | 18" | 72.5 | 572.2 |
| DTH Prime 813/23 | 813 | 32 | 23 | 0.906 | 723 | 28.465 | 860 | 33.858 | 757 | 29.803 | 20-24" | 119.0 | 1220.0 |
| DTH Prime 914/23 | 914 | 36 | 23 | 0.906 | 824 | 32.441 | 962 | 37.874 | 857 | 33.740 | 20-24" | 131.4 | 1430.0 |
| DTH Prime 1016/23 | 1016 | 40 | 23 | 0.906 | 932 | 36.693 | 1062 | 41.811 | 960 | 37.795 | 24" | 172.5 | 2400.0 |
| DTH Prime 1220/25,4 | 1220 | 48 | 25,4 | 1.000 | 1129 | 44.449 | 1272 | 50.079 | 1157 | 45.551 | 33" | 221.0 | 3190.0 |

DTH Prime DT (Drill Through)

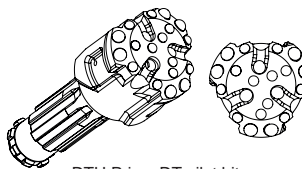
| Order code | Casing | | | | Ring bit | | | | Pilot bit | Hammer | Weight | | |
|-------------------------|--------|------|------|-------|----------|--------|------|--------|-----------|--------|--------|-------|------------|
| | [mm] | [in] | [mm] | [in] | [mm] | [in] | [mm] | [in] | [mm] | [in] | [kg] | [kg] | |
| DTH Prime DT 114,3/10 | 114,3 | 4 ½ | 10 | 0.394 | 80 | 3.150 | 135 | 5.315 | 90,6 | 3.567 | 3" | 4.4 | 6.1 |
| DTH Prime DT 139,7/10 | 139,7 | 5 ½ | 10 | 0.394 | 100 | 3.937 | 161 | 6.339 | 114 | 4.488 | 4" | 5.8 | 10.4 |
| DTH Prime DT 152,4/12,7 | 152,4 | 6 | 12,7 | 0.500 | 106 | 4.173 | 175 | 6.890 | 124 | 4.882 | 4" | 7.5 | 11.4 |
| DTH Prime DT 168,3/12,7 | 168,3 | 6 ⅝ | 12,7 | 0.500 | 126 | 4.961 | 191 | 7.520 | 138 | 5.433 | 5" | 8.4 | 18.1 |
| DTH Prime DT 193,7/12,7 | 193,7 | 7 ⅝ | 12,7 | 0.500 | 148 | 5.827 | 216 | 8.504 | 164 | 6.457 | 6" | 10.0 | 28.7 |
| DTH Prime DT 219,1/12,7 | 219,1 | 8 ⅝ | 12,7 | 0.500 | 172 | 6.772 | 241 | 9.488 | 188 | 7.402 | 6" | 11.6 | 30.0 |
| DTH Prime DT 244,5/12,7 | 244,5 | 9 ⅝ | 12,7 | 0.500 | 194 | 7.638 | 268 | 10.551 | 214 | 8.425 | 6" | 14.1 | 54.2 |
| DTH Prime DT 273/12,7 | 273 | 10 ¾ | 12,7 | 0.500 | 222 | 8.740 | 304 | 11.969 | 243 | 9.567 | 8" | 17.5 | 65.1 |
| DTH Prime DT 323,9/12,7 | 323,9 | 12 ¾ | 12,7 | 0.500 | 272 | 10.709 | 350 | 13.780 | 294 | 11.575 | 8-10" | 20.2 | 77.8 |
| DTH Prime DT 339,7/12,7 | 339,7 | 13 ⅝ | 12,7 | 0.500 | 288 | 11.339 | 368 | 14.488 | 309 | 12.165 | 8-10" | 22.3 | 80.0-145.0 |
| DTH Prime DT 406,4/12,7 | 406,4 | 16 | 12,7 | 0.500 | 354 | 13.937 | 442 | 17.402 | 374 | 14.724 | 10-12" | 34.0 | 180.0 |
| DTH Prime DT 609,6/16 | 609,6 | 24 | 16 | 0.630 | 540 | 21.260 | 650 | 25.591 | 568 | 22.362 | 18" | 72.5 | 572.2 |
| DTH Prime DT 813/23 | 813 | 32 | 23 | 0.906 | 723 | 28.465 | 860 | 33.858 | 757 | 29.803 | 20-24" | 119.0 | 1220.0 |
| DTH Prime DT 914/23 | 914 | 36 | 23 | 0.906 | 824 | 32.441 | 962 | 37.874 | 857 | 33.740 | 20-24" | 131.4 | 1430.0 |
| DTH Prime DT 1016/23 | 1016 | 40 | 23 | 0.906 | 932 | 36.693 | 1062 | 41.811 | 960 | 37.795 | 24" | 172.5 | 2400.0 |
| DTH Prime DT 1220/25,4 | 1220 | 48 | 25,4 | 1.000 | 1129 | 44.449 | 1272 | 50.079 | 1157 | 45.551 | 33" | 221.0 | 3190.0 |



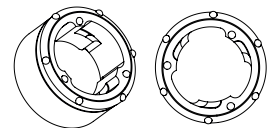
DTH Prime pilot bit



DTH Prime ring bit



DTH Prime DT pilot bit



DTH Prime DT ring bit

DTH-RoX+, DTH-RoX++

Single-use system for down the hole hammer

Sometimes overburden is thick and full of boulders. Robit® Single-Use Casing System for DTH Hammer enables easy, fast, and reliable drilling process in all conditions. Robit® Single-Use Casing Systems are available for all the common Down The Hole hammers and are designed for all the applications where the casing is left in the ground:

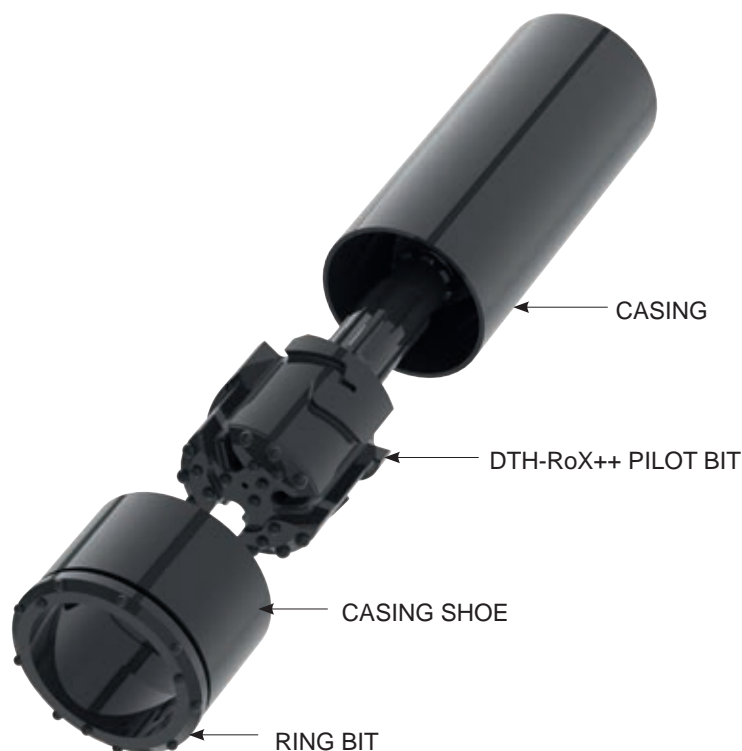
- Water well drilling (+, ++: ring bit ID optimized)
- Thermal well drilling (+, ++: ring bit ID optimized)

DTH-RoX++

Drilling parameters example

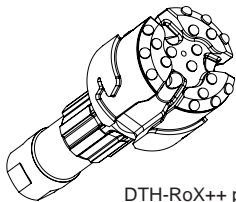
| | |
|--------------------------|---|
| Product | DTH-RoX++ 168,3/6 |
| Rock / Ground conditions | All rock and ground formations |
| Application | Well drilling |
| DTH hammer size | 5" |
| Rotation speed | 30 - 40 RPM |
| Torque | 1500 - 2000 Nm |
| | 15 - 24 m ³ /min Max:17 kg/cm ² |
| Compressor output | 530 - 848 CFM 250 psi |
| Compressor pressure | 10 - 16 bar |

NOTE Parameters may vary depending on ground / rock conditions, application and machinery.

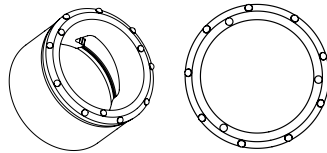
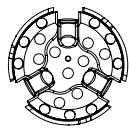


DTH-RoX(+) . Ring bit ID optimized

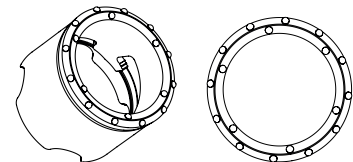
| Order code | Casing | | | | Ring bit | | | | Pilot bit | Hammer | Weight | | |
|-------------------------|--------|------|------|-------|----------|--------|-------|--------|-----------|--------|--------|------|-------|
| | [mm] | [in] | [mm] | [in] | [mm] | [in] | [mm] | [in] | [mm] | [in] | [kg] | [kg] | |
| DTH-RoX+ 114,3/5 | 114,3 | 4 ½ | 5 | 0.197 | 91 | 3.583 | 128 | 5.039 | 102 | 4.016 | 3 ½" | 3.4 | 6.6 |
| DTH-RoX++ 139,7/5,6 | 139,7 | 5 ½ | 5,6 | 0.220 | 116 | 4.567 | 154 | 6.063 | 127,5 | 5.020 | 4" | 5.2 | 13.9 |
| DTH-RoX++ 168,3/6 | 168,3 | 6 ⅝ | 6 | 0.236 | 142 | 5.591 | 184 | 7.244 | 155 | 6.102 | 5" | 7.1 | 23.8 |
| DTH-RoX+ 177,8/6,9 | 177,8 | 7 | 6,9 | 0.272 | 153,5 | 6.043 | 195 | 7.677 | 162 | 6.378 | 6" | 7.0 | 27.0 |
| DTH-RoX++ 193,7/6 | 193,7 | 7 ⅝ | 6 | 0.236 | 167 | 6.575 | 212 | 8.346 | 180 | 7.087 | 6" | 9.0 | 35.2 |
| DTH-ROX+ 219,1/5 | 219,1 | 8 ⅝ | 5 | 0.197 | 192 | 7.559 | 238 | 9.370 | 207 | 8.150 | 6" | 10.4 | 37.8 |
| DTH-RoX+ 219,1/6 | 219,1 | 8 ⅝ | 6 | 0.236 | 186 | 7.323 | 234 | 9.213 | 205 | 8.071 | 6" | 10.0 | 37.2 |
| DTH-RoX+ 273/8 | 273 | 10 ¾ | 8 | 0.315 | 232 | 9.134 | 292 | 11.496 | 255 | 10.039 | 8" | 19.8 | 78.8 |
| DTH-RoX++ 273/8 | 273 | 10 ¾ | 8 | 0.315 | 238 | 9.370 | 297,5 | 11.713 | 255 | 10.039 | 8" | 19.4 | 74.3 |
| DTH-RoX+ 323,9/8 | 323,9 | 12 ¾ | 8 | 0.315 | 281 | 11.063 | 343 | 13.504 | 306 | 12.047 | 8" | 26.4 | 106.9 |
| Heavy duty rings | | | | | | | | | | | | | |
| DTH-RoX++ HD 101,6/5 | 101,6 | 4 | 5 | 0.197 | 82,5 | 3.248 | 118 | 4.646 | 90,4 | 3.559 | 3" | 3.2 | 6.0 |
| DTH-RoX++ HD 139,7/5,6 | 139,7 | 5 ½ | 5,6 | 0.220 | 116 | 4.567 | 156 | 6.142 | | | 4" | 6.3 | 13.9 |
| DTH-RoX++ HD 168,3/6 | 168,3 | 6 ⅝ | 6 | 0.236 | 142 | 5.591 | 186 | 7.323 | | | 5" | 8.6 | 23.8 |
| DTH-RoX++ HD 193,7/6 | 193,7 | 7 ⅝ | 6 | 0.236 | 167 | 6.575 | 214 | 8.425 | | | 6" | 10.9 | 35.2 |
| DTH-RoX+ HD 219,1/6 | 219,1 | 8 ⅝ | 6 | 0.236 | 186 | 7.323 | 241 | 9.488 | | | 6" | 11.4 | 37.2 |



DTH-RoX++ pilot bit



DTH-RoX++ ring bit



Heavy Duty rings

DTH-RoX MU

Multi-use system for down the hole hammer

In some overburden drilling applications the casing has to be removed from the ground. This sets higher requirements on the durability of the equipment. Double groove design* in the casing shoe and the best materials available guarantee that Robit® Multi-Use system does not fail even in the most difficult conditions. Robit® Multi-Use system is available for all the common DTH hammers. It is typically used in the following applications:

- Piling
- Anchoring
- Site investigation

DTH-RoX MU

Drilling parameters example

| | |
|--------------------------|---|
| Product | DTH-RoX MU 219,1/12,7 |
| Rock / Ground conditions | All rock and ground formations |
| Application | Piling |
| DTH hammer size | 6" |
| Rotation speed | 20 - 30 RPM |
| Torque | 2200 - 3200 Nm |
| | 20 - 24 m ³ /min Max:17 kg/cm ² |
| Compressor output | 707 - 848 CFM 250 psi |
| Compressor pressure | 10 - 16 bar |

NOTE Parameters may vary depending on ground / rock conditions, application and machinery.



DTH-RoX MU

Order code

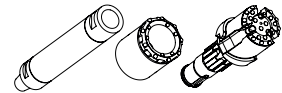
Casing

Ring bit

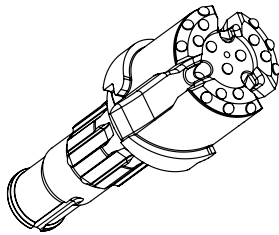
Pilot bit

Hammer

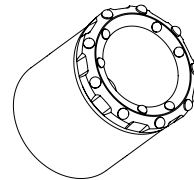
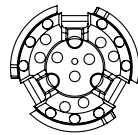
Weight



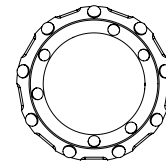
| | Casing | | Casing | | Ring bit | | Ring bit | | Pilot bit | | Hammer | | Weight | |
|-----------------------------|--------|--------|--------|-------|----------|--------|----------|--------|-----------|--------|--------|-------|--------|--|
| | [mm] | [in] | [mm] | [in] | [mm] | [in] | [mm] | [in] | [mm] | [in] | | [kg] | [kg] | |
| DTH-RoX MU 114,3/10 | 114,3 | 4 1/2 | 10 | 0.394 | 78 | 3.071 | 122 | 4.803 | 92,5 | 3.642 | 3" | 5.4 | 6.4 | |
| DTH-RoX MU 127/10 | 127,0 | 5 | 10 | 0.394 | 95 | 3.740 | 136 | 5.354 | 105,2 | 4.142 | 3 1/2" | 6.4 | 9.0 | |
| DTH-RoX MU 139,7/10 | 139,7 | 5 1/2 | 10 | 0.394 | 104 | 4.094 | 147 | 5.787 | 117,5 | 4.626 | 4" | 7.5 | 13.2 | |
| DTH-RoX MU 152,4/10 | 152,4 | 6 | 10 | 0.394 | 115,8 | 4.559 | 159,5 | 6.280 | 130,6 | 5.142 | 4" | 8.9 | 16.9 | |
| DTH-RoX MU 168,3/10 | 168,3 | 6 5/8 | 10 | 0.394 | 129 | 5.079 | 178 | 7.008 | 146 | 5.748 | 5" | 10.7 | 21.6 | |
| DTH-RoX MU 177,8/10 | 177,8 | 7 | 10 | 0.394 | 142 | 5.591 | 191 | 7.520 | 155 | 6.102 | 5" | 11.9 | 27.5 | |
| DTH-RoX MU 193,7/10 | 193,7 | 7 5/8 | 10 | 0.394 | 154 | 6.063 | 204 | 8.031 | 172 | 6.772 | 6" | 13.5 | 35.0 | |
| DTH-RoX MU 219,1/12,7 219,1 | 219,1 | 8 5/8 | 12,7 | 0.500 | 172 | 6.772 | 229 | 9.016 | 192 | 7.717 | 6" | 16.8 | 40.0 | |
| DTH-RoX MU 273,0/12,7 273 | 273 | 10 3/4 | 12,7 | 0.500 | 211 | 8.307 | 286 | 11.260 | 243 | 9.567 | 8" | 32.0 | 80.0 | |
| DTH-RoX MU 323,9/12,7 323,9 | 323,9 | 12 3/4 | 12,7 | 0.500 | 257 | 10.118 | 338 | 13.307 | 293 | 11.535 | 8" | 51.0 | 120.0 | |
| DTH-RoX MU 355,6/12,7 355,6 | 355,6 | 14 | 12,7 | 0.500 | 305 | 12.008 | 368 | 14.488 | 326 | 12.835 | 8-12" | 46.9 | 173.8 | |
| DTH-RoX MU 406,4/12,7 406,4 | 406,4 | 16 | 12,7 | 0.500 | 328 | 12.913 | 423 | 16.654 | 374 | 14.724 | 10-12" | 75.1 | 236.0 | |
| DTH-RoX MU 508,0/15 508 | 508 | 20 | 15 | 0.591 | 414 | 16.299 | 526 | 20.709 | 472 | 18.583 | 12-15" | 120.0 | 540.0 | |
| DTH-RoX MU 609,6/12,7 609,6 | 609,6 | 24 | 12,7 | 0.500 | 554 | 21.811 | 645 | 25.394 | 581 | 22.874 | 18" | 150.0 | 780.0 | |



DTH-RoX Multi-Use pilot bit



DTH-RoX Multi-Use ring bit



DTH SR

Solitary ring system for down the hole hammer

DTH SR products are economical and cost-effective to use when the ground is homogenous with few small boulders. With the same pilot you can install piles and interlocked Pipe-Pile-Wall piles just by using ring bits with different outside diameters. Robit® Solitary Ring Casing Systems are available for all the common Down The Hole hammers and can be used for all applications where the casing is left in the ground, but have been especially designed for:

- Piling
- Underpinning
- Micropiling

DTH SR

Drilling parameters example

| | |
|--------------------------|---|
| Product | DTH SR 219,1/12,7 |
| Rock / Ground conditions | Homogenous soil with small boulders |
| Application | Piling and Pipe-Pile-Wall |
| DTH hammer size | 6" |
| Rotation speed | 20 - 30 RPM |
| Torque | 2200 - 3200 Nm |
| | 20 - 24 m ³ /min Max:17 kg/cm ² |
| Compressor output | 707 - 848 CFM 250 psi |
| Compressor pressure | 10 - 16 bar |

NOTE Parameters may vary depending on ground / rock conditions, application and machinery.



DTH SR

Order code

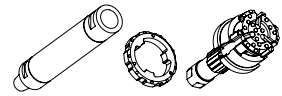
Casing

Ring bit

Pilot bit

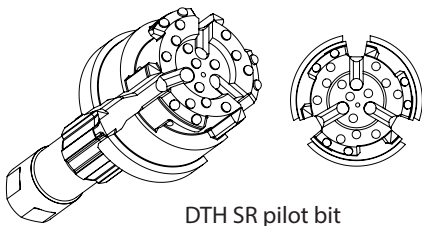
Hammer

Weight

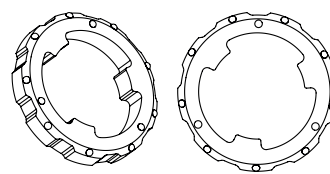


[mm] [in] [mm] [in] [mm] [in] [mm] [in] [mm] [in] [kg] [kg]

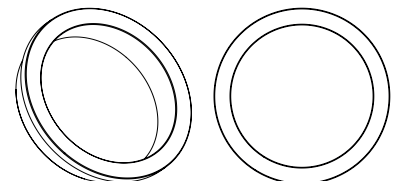
| | | | | | | | | | | | | | |
|-----------------------|-------|--------|------|-------|------|--------|------|--------|-------|--------|--------|-------|--------|
| DTH SR 168,3/12,7 | 168,3 | 6 5/8 | 12,7 | 0.500 | 102 | 4.016 | 182 | 7.165 | 140,5 | 5.531 | 5" | 6.8 | 20.0 |
| DTH SR 219,1/12,7 | 219,1 | 8 5/8 | 12,7 | 0.500 | 127 | 5.000 | 233 | 9.173 | 190,7 | 7.508 | 6" | 10.0 | 36.4 |
| DTH SR XL2 219,1/12,7 | 219,1 | 8 5/8 | 12,7 | 0.500 | 127 | 5.000 | 273 | 10.748 | 190,7 | 7.508 | 6" | 14.8 | 36.4 |
| DTH SR 273/12,7 | 273,0 | 10 3/4 | 12,7 | 0.500 | 194 | 7.638 | 287 | 11.299 | 244,6 | 9.630 | 8" | 12.9 | 74.3 |
| DTH SR XL2 273/12,7 | 273,0 | 10 3/4 | 12,7 | 0.500 | 194 | 7.638 | 327 | 12.874 | 244,6 | 9.630 | 8" | 18.5 | 74.3 |
| DTH SR 323,9/12,7 | 323,9 | 12 3/4 | 12,7 | 0.500 | 240 | 9.449 | 338 | 13.307 | 294,5 | 11.594 | 8-10" | 15.9 | 97.4 |
| DTH SR XL2 323,9/12,7 | 323,9 | 12 3/4 | 12,7 | 0.500 | 240 | 9.449 | 378 | 14.882 | 294,5 | 11.594 | 8-10" | 22.5 | 97.4 |
| DTH SR 406,4/12,7 | 406,4 | 16 | 12,7 | 0.500 | 322 | 12.677 | 420 | 16.535 | 376 | 14.803 | 10-12" | 20.4 | 196.2 |
| DTH SR XL2 406,4/12,7 | 406,4 | 16 | 12,7 | 0.500 | 322 | 12.677 | 460 | 18.110 | 376 | 14.803 | 10-12" | 30.5 | 196.2 |
| DTH SR 508/16 | 508 | 20 | 16 | 0.630 | 417 | 16.417 | 522 | 20.551 | 472 | 18.583 | 12" | 26.6 | 297.0 |
| DTH SR XL2 508/16 | 508 | 20 | 16 | 0.630 | 417 | 16.417 | 562 | 22.126 | 472 | 18.583 | 12" | 36.6 | 297.0 |
| DTH SR 609,6/16 | 609,6 | 24 | 16 | 0.630 | 504 | 19.843 | 625 | 24.606 | 571 | 22.480 | 18" | 40.0 | 670.0 |
| DTH SR XL2 609,6/16 | 609,6 | 24 | 16 | 0.630 | 504 | 19.843 | 664 | 26.142 | 571 | 22.480 | 18" | 52.5 | 670.0 |
| DTH SR 711/16 | 711 | 28 | 16 | 0.630 | 616 | 24.252 | 726 | 28.583 | 671 | 26.417 | 24" | 44.0 | 730.0 |
| DTH SR XL2 711/16 | 711 | 28 | 16 | 0.630 | 616 | 24.252 | 765 | 30.118 | 671 | 26.417 | 24" | 58.0 | 730.0 |
| DTH SR 813/23 | 813 | 32 | 23 | 0.906 | 705 | 27.756 | 828 | 32.598 | 758 | 29.843 | 20-24" | 60.0 | 1080.0 |
| DTH SR XL2 813/23 | 813 | 32 | 23 | 0.906 | 705 | 27.756 | 867 | 34.134 | 758 | 29.843 | 20-24" | 60.0 | 1080.0 |
| DTH SR 863/23 | 863 | 34 | 23 | 0.906 | 742 | 29.213 | 875 | 34.449 | 808 | 31.811 | 20-24" | 57.0 | 1100.0 |
| DTH SR 914/23 | 914 | 36 | 23 | 0.906 | 795 | 31.299 | 930 | 36.614 | 858 | 33.780 | 20-24" | 80.0 | 1500.0 |
| DTH SR 1016/23 | 1016 | 40 | 23 | 0.906 | 890 | 35.039 | 1035 | 40.748 | 959 | 37.756 | 24" | 95.0 | 1800.0 |
| DTH SR 1220/25,4 | 1220 | 48 | 25,4 | 1.000 | 1080 | 42.520 | 1240 | 48.819 | 1156 | 45.512 | 33" | 115.0 | 2500.0 |



DTH SR pilot bit



DTH SR ring bit



DTH SR impact shoe

DTH SF (STEEL FIST)

Steel Fist system for down the hole hammer

Robit® Steel Fist product family is designed for specific piling operations, sizes from 273 mm up to 1220 mm. New economic way for traditional piling work, but also capable for installing water-proof Pipe-Pile-Walls. No ring bit is needed when piling with DTH SF. Usage in homogenous soil conditions with small boulders. Robit® Steel Fist Casing Systems are available for all the common Down The Hole hammers and can be used for all applications where the casing is left in the ground, but have been especially designed for:

- Piling
- Piling (Pipe-Pile-Walls)

DTH SF

Drilling parameters example

| | |
|--------------------------|---|
| Product | DTH SF 323,9/12,7 |
| Rock / Ground conditions | Homogenous soil with small boulders |
| Application | Piling and Pipe-Pile-Wall |
| DTH hammer size | 8" - 10" |
| Rotation speed | 15 - 25 RPM |
| Torque | 7000 - 10000 Nm |
| | 24 - 33 m ³ /min Max:17 kg/cm ² |
| Compressor output | 848 - 1165 CFM 250 psi |
| Compressor pressure | 10 - 14 bar |

NOTE Parameters may vary depending on ground / rock conditions, application and machinery.



DTH SF

Order code

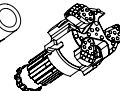
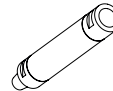
Pipe

Pilot bit

Wings

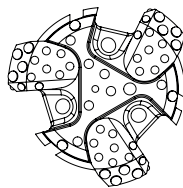
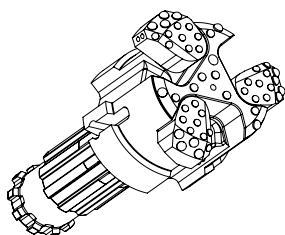
Hammer

Weight

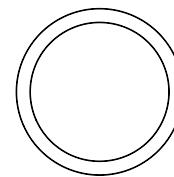
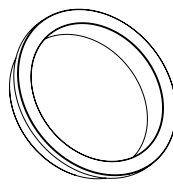


| | [mm] | [in] | [mm] | [in] | [mm] | [in] | [mm] | [in] | [in] | [pcs] | | [kg] | [kg] |
|-----------------------|-------|--------|------|-------|------|--------|-------|--------|------|--------|--|--------|------|
| DTH SF 273/12,7 | 273,0 | 10 3/4 | 12,7 | 0.500 | 287 | 11.299 | 245 | 9.646 | 3 | 8" | | 86.1 | 4.2 |
| DTH SF 323,9/12,7 | 323,9 | 12 3/4 | 12,7 | 0.500 | 338 | 13.307 | 294,5 | 11.594 | 3 | 8" | | 117.5 | 5.1 |
| DTH SF XL2 323,9/12,7 | 323,9 | 12 3/4 | 12,7 | 0.500 | 374 | 14.724 | 294,5 | 11.594 | 3 | 8" | | 127.9 | 5.1 |
| DTH SF 406,4/12,7 | 406,4 | 16 | 12,7 | 0.500 | 420 | 16.535 | 376 | 14.803 | 3 | 10-12" | | 215.9 | 6.4 |
| DTH SF XL2 406,4/12,7 | 406,4 | 16 | 12,7 | 0.500 | 460 | 18.110 | 376 | 14.803 | 3 | 10-12" | | 227.9 | 6.4 |
| DTH SF 508/16 | 508 | 20 | 16 | 0.630 | 522 | 20.551 | 472 | 18.583 | 3 | 12" | | 353.0 | 8.6 |
| DTH SF XL2 508/16 | 508 | 20 | 16 | 0.630 | 562 | 22.126 | 472 | 18.583 | 3 | 12" | | 365.0 | 8.6 |
| DTH SF 609,6/16 | 609,6 | 24 | 16 | 0.630 | 624 | 24.567 | 571 | 22.480 | 3 | 18" | | 806.4 | 11.4 |
| DTH SF XL2 609,6/16 | 609,6 | 24 | 16 | 0.630 | 664 | 26.142 | 571 | 22.480 | 3 | 18" | | 820.1 | 11.4 |
| DTH SF 711/16 | 711 | 28 | 16 | 0.630 | 725 | 28.543 | 671 | 26.417 | 3 | 18" | | 1090.0 | 15.8 |
| DTH SF XL2 711/16 | 711 | 28 | 16 | 0.630 | 765 | 30.118 | 671 | 26.417 | 3 | 18" | | 1095.0 | 15.8 |
| DTH SF 813/23 | 813 | 32 | 23 | 0.906 | 826 | 32.520 | 758 | 29.843 | 3 | 18" | | 1455.8 | 19.6 |
| DTH SF XL2 813/23 | 813 | 32 | 23 | 0.906 | 867 | 34.134 | 758 | 29.843 | 3 | 18" | | 1471.5 | 19.6 |
| DTH SF 914/20 | 914 | 36 | 20 | 0.787 | 927 | 36.496 | 864 | 34.016 | 4 | 24-30" | | 1750.0 | 25.4 |
| DTH SF XL2 914/20 | 914 | 36 | 20 | 0.787 | 968 | 38.110 | 864 | 34.016 | 4 | 24-30" | | 1770.0 | 25.4 |
| DTH SF 1016/16 | 1016 | 40 | 16 | 0.630 | 1030 | 40.551 | 973 | 38.307 | 5 | 24-33" | | 2049.4 | 26.0 |
| DTH SF XL2 1016/16 | 1016 | 40 | 16 | 0.630 | 1070 | 42.126 | 973 | 38.307 | 5 | 24-33" | | 2080.0 | 26.0 |
| DTH SF 1220/20 | 1220 | 48 | 20 | 0.787 | 1234 | 48.583 | 1135 | 44.685 | 6 | 30-33" | | 2970.0 | 35.0 |
| DTH SF XL2 1220/20 | 1220 | 48 | 20 | 0.787 | 1274 | 50.157 | 1135 | 44.685 | 6 | 30-33" | | 3000.0 | 35.0 |

When ordering, information about casing diameters (OD and ID) is necessary.



Steel Fist pilot bit



Steel Fist impact shoe

CDS-R(S)

Introducing the CDS-RS Overburden Drilling System

Drilling through loose material such as sand, clay or boulders can be problematic. Most of the Earth's surface is covered by this overburden material that may often collapse behind the drill bit resulting in loss of the hole and potential loss of the drill string.

Robit® concentric CDS-RS overburden drilling system range has been designed to allow continuous casing of a hole, through loose overburden material, down to and into solid bedrock. Using Robit's patented Airflow system, the CDS-RS's venturi effect vacuums cuttings away from the front of the drill bit and diverts the exhaust air back up the hole, greatly reducing the volume of air that would otherwise pass into the ground where it could cause potential problems.

The CDS-RS builds on the proven design of Robit® CDS and CDS-R Overburden Drilling Systems and is recommended for drilling in ground conditions where minimum disruption to sub structures and existing foundations is essential.



CDS-R

Order code

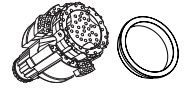
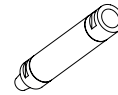
Pipe

Pilot bit

Wings

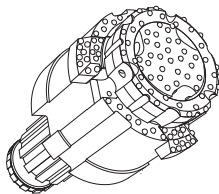
Hammer

Weight

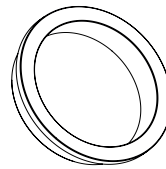
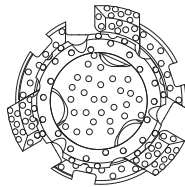


| | [mm] | [in] | [mm] | [in] | [mm] | [in] | [mm] | [in] | [pcs] | | [kg] | [kg] |
|----------|-------|------|------|-------|------|--------|-------|--------|-------|--------|--------|------|
| CDS 240R | 273,0 | 10 ¾ | 13 | 0.512 | 296 | 13.307 | 240 | 9.450 | 3 | 8" | 136.0 | |
| CDS 280R | 324,0 | 12 ¾ | 19 | 0.748 | 345 | 13.583 | 281 | 11.063 | 3 | 10" | 200.0 | 16.5 |
| CDS 295R | 324,0 | 12 ¾ | 8 | 0.315 | 344 | 13.543 | 295 | 11.615 | 3 | 10" | 250.0 | 11.0 |
| CDS 310R | 355,6 | 14 | 22,2 | 0.874 | 385 | 15.157 | 310 | 12.204 | 3 | 10" | 300.0 | 19.0 |
| CDS 315R | 355,6 | 14 | 22,2 | 0.874 | 385 | 15.157 | 315 | 12.402 | 3 | 10" | 350.0 | 19.0 |
| CDS 360R | 406,4 | 16 | 25,4 | 1.000 | 438 | 17.244 | 360 | 14.173 | 3 | 12" | 380.0 | 27.0 |
| CDS 365R | 406,4 | 16 | 19,4 | 0.764 | 438 | 17.244 | 365 | 14.370 | 3 | 14" | 401.0 | 27.0 |
| CDS 460R | 508 | 20 | 25 | 0.984 | 540 | 21.260 | 460 | 18.110 | 3 | 14" | 1350.0 | 40.0 |
| CDS 510R | 559 | 22 | 26 | 1.024 | 583 | 22.953 | 510,5 | 20.100 | 3 | 14-18" | 1230.0 | 28.0 |
| CDS 560R | 610 | 24 | 20 | 0.787 | 640 | 25.197 | 560 | 22.047 | 3 | 18" | 1350.0 | 30.0 |
| CDS 610R | 660 | 26 | 27 | 1.063 | 692 | 27.244 | 610 | 24.016 | 3 | 18-24" | 1790.0 | 36.0 |
| CDS 660R | 762 | 30 | 25,4 | 1.000 | 792 | 31.180 | 661,5 | 26.040 | 3 | 18-24" | 1970.0 | 49.0 |
| CDS 745R | 813 | 32 | 33 | 1.299 | 843 | 33.189 | 746 | 29.370 | 4 | 24" | 2500.0 | 55.0 |
| CDS 835R | 914,4 | 36 | 42,4 | 1.669 | 950 | 37.400 | 835 | 32.874 | 4 | 24" | 2860.0 | 70.0 |

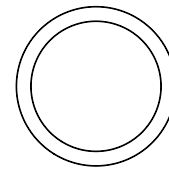
When ordering, information about casing diameters (OD and ID) is necessary.



CDS-R pilot bit



CDS-R impact shoe



CDS-RS

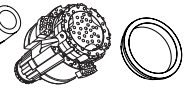
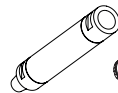
Pipe

Pilot bit

Wings

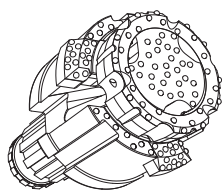
Hammer

Weight

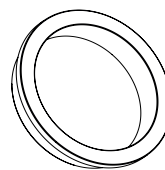
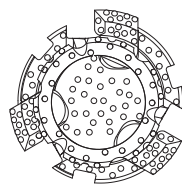


| | [mm] | [in] | [mm] | [in] | [mm] | [in] | [mm] | [in] | [pcs] | | [kg] | [kg] |
|-----------|-------|------|------|-------|------|--------|-------|--------|-------|--------|--------|------|
| CDS 360RS | 406,4 | 16 | 25,4 | 1.000 | 438 | 17.244 | 360 | 14.173 | 3 | 12" | 380.0 | 27.0 |
| CDS 365RS | 406,4 | 16 | 19,4 | 0.764 | 438 | 17.244 | 365 | 14.370 | 3 | 14" | 401.0 | 27.0 |
| CDS 460RS | 508 | 20 | 25 | 0.984 | 540 | 21.260 | 460 | 18.110 | 3 | 14" | 1350.0 | 40.0 |
| CDS 510RS | 559 | 22 | 26 | 1.024 | 583 | 22.953 | 510,5 | 20.100 | 3 | 14-18" | 1230.0 | 28.0 |
| CDS 560RS | 610 | 24 | 20 | 0.787 | 640 | 25.197 | 560 | 22.047 | 3 | 18" | 1350.0 | 30.0 |
| CDS 610RS | 660 | 26 | 27 | 1.063 | 692 | 27.244 | 610 | 24.016 | 3 | 18-24" | 1790.0 | 36.0 |
| CDS 660RS | 762 | 30 | 25,4 | 1.000 | 792 | 31.180 | 661,5 | 26.040 | 3 | 18-24" | 1970.0 | 49.0 |
| CDS 745RS | 813 | 32 | 33 | 1.299 | 843 | 33.189 | 746 | 29.370 | 4 | 24" | 2500.0 | 55.0 |
| CDS 835RS | 914,4 | 36 | 42,4 | 1.669 | 950 | 37.400 | 835 | 32.874 | 4 | 24" | 2860.0 | 70.0 |

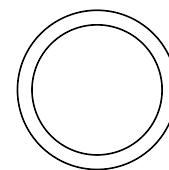
When ordering, information about casing diameters (OD and ID) is necessary.



CDS-RS pilot bit



CDS-RS impact shoe



DTH-REC

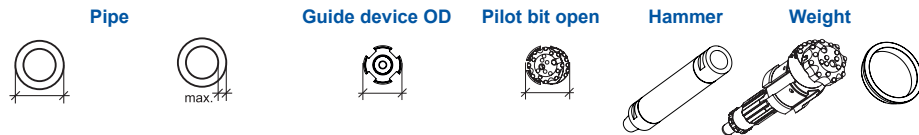
Robit® Overburden Eccentric System

The new Robit® DTH-REC system is specially designed to offer a maximum reliability in overburden drilling conditions. This system enables driving the casing in all downward vertical directions/formations avoiding collapsing holes and lost equipment. DTH-REC system is a two-piece bit consisting of a concentric pilot bit and a swing-out eccentric reamer, which enlarges the hole's diameter driving the casing down into the hole. When the required depth has been reached, a reverse rotation is applied to retract the reamer, and then the full system can be pulled out and used again leaving the casing in place for further applications. DTH-REC system is applied worldwide in several ground drilling applications: Water well & Geothermal drilling, Micro piling, Dam and port projects.



DTH-REC

Order code



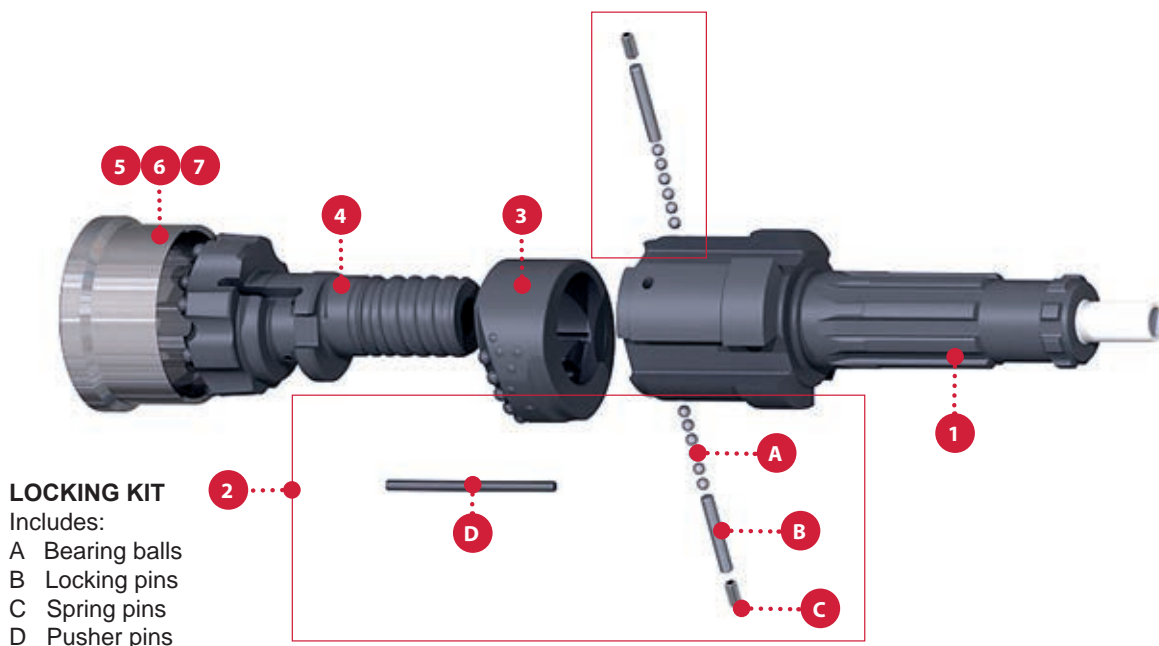
| | Pipe | | Guide device OD | | Pilot bit open | | Hammer | Weight | | | |
|-------------------|-------|------|-----------------|-------|----------------|--------|--------|--------|------|-----|-----|
| | [mm] | [in] | [mm] | [in] | [mm] | [in] | | [kg] | [kg] | | |
| DTH-REC 114,3/6 | 114,3 | 4½ | 6 | 0.236 | 99,5 | 3.917 | 125 | 4.921 | 3" | 12 | 1.2 |
| DTH-REC 139,7/5,6 | 139,7 | 5½ | 5,6 | 0.220 | 125,5 | 4.941 | 153 | 6.023 | 4" | 22 | 1.5 |
| DTH-REC 168,3/5,6 | 168,3 | 6⅝ | 5,6 | 0.220 | 154 | 6.063 | 185 | 7.283 | 5" | 36 | 2.5 |
| DTH-REC 193,7/5 | 193,7 | 7⅝ | 5 | 0.196 | 179 | 7.047 | 212 | 8.346 | 6" | 57 | 3.5 |
| DTH-REC 219,1/6,3 | 219,1 | 8⅝ | 6,3 | 0.248 | 203 | 7.992 | 238 | 9.370 | 6" | 79 | 4.0 |
| DTH-REC 273/6,3 | 273 | 10¾ | 6,3 | 0.248 | 255 | 10.039 | 307 | 12.086 | 8" | 136 | 6.5 |

* Casing shoe wall thickness

**Complete System does not include Casing shoes

Component parts

| Ref | Description | Item number | | | | | |
|--------------------------|--------------|----------------|------------------|-----------------|-----------------|-----------------|------------------------|
| | | 114,3/6 IR 3,5 | 139,7/5,6 IR 340 | 168,3/6,3 IR350 | 193,7/6,3 IR360 | 219,1/6,3 IR360 | 273/6,3 IR380 |
| 1 | Guide device | 2000272 | 2000179 | 2000064 | 2000329 | 2000249 | 03-581-273-0049 |
| 2 | Locking kit | 2000283 | 2000219 | 2000226 | 2000335 | 2000259 | 2000361 |
| 3 | Reamer | 2000276 | 2000184 | 2000060 | 2000333 | 2000254 | 03-620-273-0047 |
| 4 | Pilot bit | 2000274 | 2000182 | 2000062 | 2000331 | 2000252 | 03-610-273-0052 |
| 5 | Casing shoe | 2000281 (6)* | 2000187 (5,6)* | 2000508 (6,3)* | 2000509 (6,3)* | 2000255 (6,3)* | 03-630-273-0054 (6,3)* |
| 6 | Casing shoe | 2000282 (4,5)* | 2000201 (4,5)* | 2000058 (5,6)* | 2000336 (5)* | 2000256 (5)* | - |
| 7 | Casing shoe | - | - | 2000203 (4,5)* | - | - | - |
| Complete System** | | 2000499 | 2000500 | 2000501 | 2000502 | 2000498 | 2000503 |





SHOCK ABSORBERS

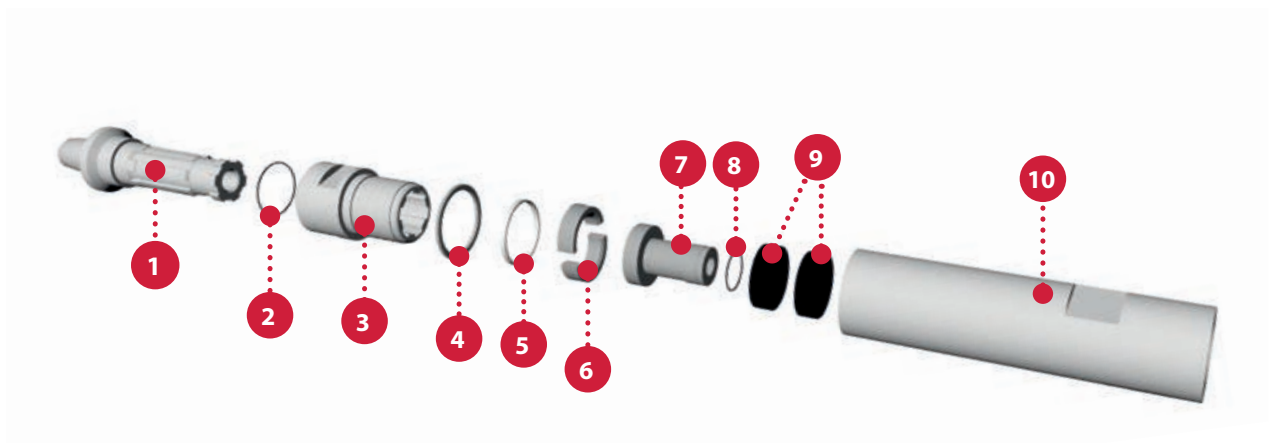
2" - 30"

| Order code | DTH Hammer | Top connector | Bottom connector | Outside diameter | | Length | | Weight |
|--------------------|------------|---------------|------------------|------------------|--------|--------|--------|--------|
| | | | | [mm] | [in] | [mm] | [in] | |
| Shock Absorber 2" | 2" | 23/8 reg pin | 23/8 reg box | 62,0 | 2.441 | 346 | 13.622 | 7,5 |
| Shock Absorber 3" | 3" | 23/8 reg pin | 23/8 reg box | 79,4 | 3.126 | 457 | 17.992 | 14,3 |
| Shock Absorber 4" | 4" | 23/8 reg pin | 23/8 reg box | 95,4 | 3.756 | 483 | 19.016 | 22,1 |
| Shock Absorber 5" | 5" | 3½ reg pin | 3½ reg box | 115,0 | 4.528 | 514 | 20.236 | 33,2 |
| Shock Absorber 6" | 6" | 3½ reg pin | 3½ reg box | 140,0 | 5.512 | 578 | 22.756 | 53,0 |
| Shock Absorber 8" | 8" | 4½ reg pin | 4½ reg box | 178,0 | 7.008 | 591 | 23.268 | 84,0 |
| Shock Absorber 10" | 10" | 65/8 reg pin | 65/8 reg box | 216,0 | 8.504 | 635 | 25.000 | 98,0 |
| Shock Absorber 12" | 12" - 14" | 65/8 reg pin | 65/8 reg box | 254,0 | 10.000 | V724 | 28.504 | 229,0 |
| Shock Absorber 18" | 18" - 24" | 85/8 reg pin | 85/8 reg box | 406,0 | 15.984 | 711 | 27.992 | 598,0 |
| Shock Absorber 30" | 24" - 33" | 10" Beco male | 10" Beco female | 508,0 | 20.000 | 950 | 37.402 | 1256,0 |



Shock Absorbers

2"- 6" Shock Absorbers



| Size | HDSA2 | HDSA3 | HDSA4 | HDSA5 | HDSA6 |
|------------------|-------------------|--------------------|--------------------|--------------------|---------------------|
| Effective length | 346 mm / 13.62" | 457 mm / 17.93" | 483 mm / 19.02" | 514 mm / 20.27" | 578 mm / 22.76" |
| Outside diameter | 62 mm / 2.44" | 79.4 mm / 3.13" | 95.4 mm / 3.76" | 115 mm / 4.53" | 140 mm / 5.51" |
| Net weight | 7,5 kg / 16.5 lbs | 14,3 kg / 31.5 lbs | 22,1 kg / 48.7 lbs | 33,2 kg / 73.2 lbs | 53,0 kg / 116.8 lbs |

| Ref | Description | Part number | | | | |
|-----|--------------------------------|---------------------|------------------------------------|------------------------------------|------------------------------------|------------------------------------|
| | | HDSA2 | HDSA3 | HDSA4 | HDSA5 | HDSA6 |
| 1 | Top connector | SA02HD0810F | "SA03HD0801M (2 3/8" reg. pin)" | "SA04HD0801M (2 3/8" reg. pin)" | "SA05HD0803M (3 1/2" reg. pin)" | "SA06HD0803M (3 1/2" reg. pin)" |
| 2 | Seal 'O' ring* | N / A | SA03HD03 | SA04HD03 | SA05HD03 | SA06HD03 (2 of)* |
| 3 | Splined Nut | HSB2837ST | SA03HD01 | SA04HD01 | SA05HD01 | SA06HD01 |
| 4 | Breakout washer | N / A | SA03HD25 | SA04HD25 | SA05HD25 | SA06HD25 |
| 5 | Splined Nut Seal | SA02HD10 | SA03HD10 | SA04HD10 | SA05HD10 | SA06HD10 |
| 6 | Retainer ring | HSB2S37ST | SA03HD011 | SA04HD011 | SA05HD011 | SA06HD011 |
| 7 | Thrust guide | SA02HD12 | SA03HD12 | SA04HD12 | SA05HD12 | SA06HD12 |
| 8 | Thrust guide'O' ring | SA02HD12A | SA03HD12A | SA04HD12A | SA05HD12A | SA06HD12A |
| 9 | Buffer x 2** | SA02HD05 (1 of)** | SA03HD05 | SA04HD05 | SA05HD05 | SA06HD05 |
| 10 | Bottom connector | SA02HD0911M | "SA03HD0901F (2 3/8" reg. box)" | "SA04HD0901F (2 3/8" reg. box)" | "SA05HD0903F (3 1/2" reg. box)" | "SA06HD0903F (3 1/2" reg. box)" |
| | Complete Shock Absorber | SA02HD11MF-B | SA03HD01MF-B | S04HD01MF-B | S05HD03MF-B | S06HD03MF-B |

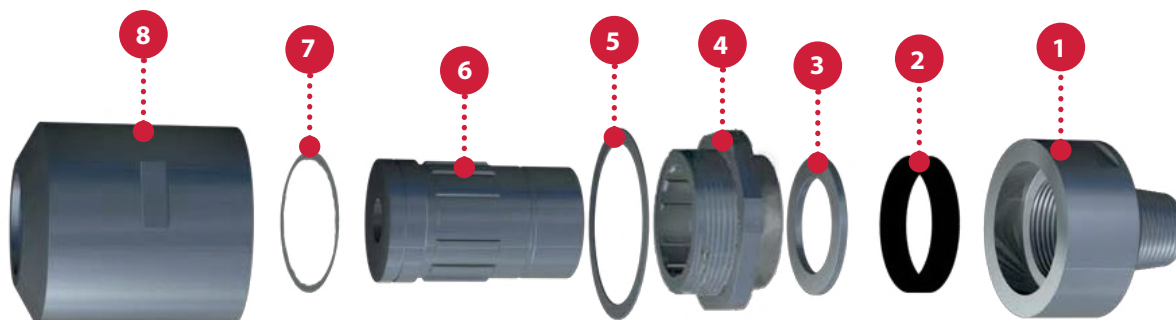
8"-10" Shock Absorbers



| Size | HDSA8 (4 1/2 reg. pin) | HDSA10 (6 5/8 reg. pin) |
|------------------|------------------------|-------------------------|
| Effective length | 591 mm / 23.268 in. | 635 mm / 25.000 in. |
| Outside diameter | 178 mm / 7.008 in. | 216 mm / 8.504 in. |
| Net weight | 84 kg / 185.2 lbs | 98 kg / 216.1 lbs |

| Ref | Description | Part number | |
|-----|--------------------------------|-------------------|--------------------|
| | | HDSA8 | HDSA10 |
| 1 | Top connector | SA08ST0804M | SA10ST0880M |
| 2 | Buffer | SA08ST05 | SA10ST05 |
| 3 | Thrust Washer | SA08ST04 | SA10ST04 |
| 4 | Nut 'O' ring | SA08ST10 | SA08ST10 |
| 5 | Nut | SA08ST01 | SA10ST01 |
| 6 | Breakout Washer | SA08ST25 | SA10ST25 |
| 7 | Shaft | SA08ST02 | SA10ST02 |
| 8 | Shaft 'O' ring | SA08ST03 | SA10ST03 |
| 9 | Bottom Connector | SA08ST0904F | SA10ST0980F |
| | Complete Shock Absorber | SA08ST04MF | SA10ST080MF |

12" Shock Absorbers



Size

HDSA12

| | |
|------------------|------------------|
| Effective length | 724 mm / 28.5" |
| Outside diameter | 254 mm / 10.00" |
| Net weight | 229 kg / 504 lbs |

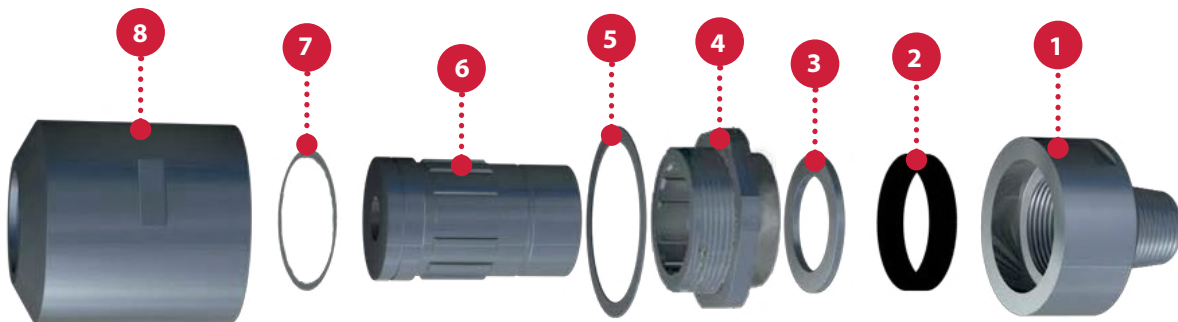
Part number

Ref Description

HDSA12

| | | |
|---|-------------------------------------|--------------------|
| 1 | Top Connector 6 5/8" API Reg Pin | SA12ST0880M |
| 2 | Buffer | SA12ST05 |
| 3 | Thrust Washer | SA12ST04 |
| 4 | Nut | SA12ST01 |
| 5 | Breakout Washer | SA12ST25 |
| 6 | Shaft | SA12ST02 |
| 7 | Shaft 'O' Ring | SA12ST03 |
| 8 | Bottom Connector 6 5/8" API Reg Box | SA12ST0980F |
| | Complete Shock Absorber | SA12ST080MF |

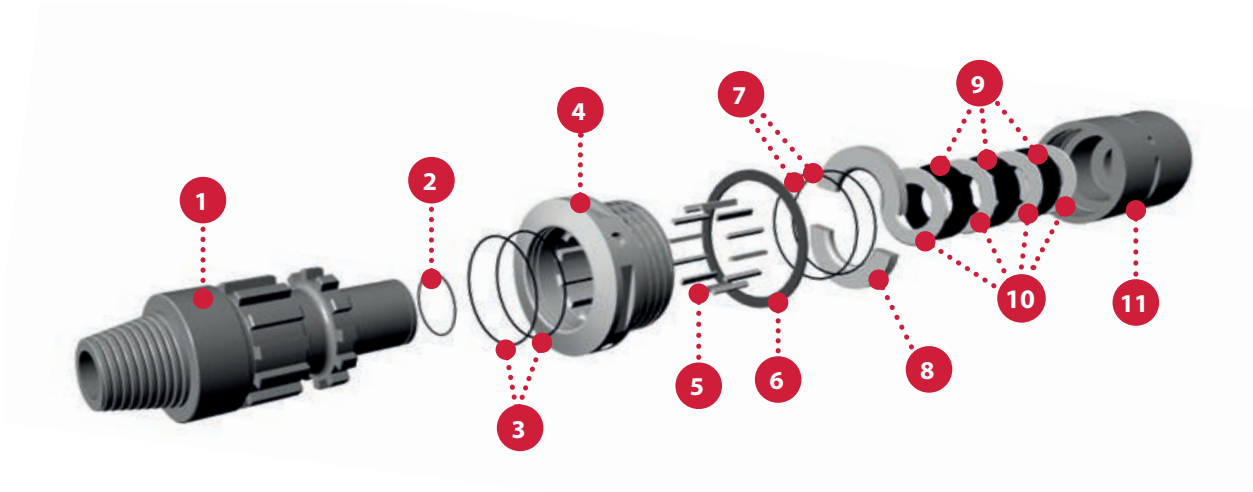
18" Shock Absorbers



| Size | HDSA18 |
|------------------|-------------------|
| Effective length | 711 mm / 28"v |
| Outside diameter | 406 mm / 16" |
| Net weight | 598 kg / 1316 lbs |

| Ref | Description | Part number |
|-----|-------------------------------------|-------------------|
| | | HDSA18 |
| 1 | Top Connector 8 5/8" API Reg Pin | SA18ST0882M |
| 2 | Buffer | SA18ST05 |
| 3 | Thrust Washer | SA18ST04 |
| 4 | Nut | SA18ST01 |
| 5 | Breakout Washer | SA18ST25 |
| 6 | Shaft | SA18ST02 |
| 7 | Shaft 'O' Ring | SA18ST03 |
| 8 | Bottom Connector 8 5/8" API Reg Box | SA18ST0982F |
| | Complete Shock Absorber | SA18ST82MF |

30" Shock Absorbers



Size

HDSA30

| | |
|------------------|----------------------|
| Effective length | 950 mm / 37.42" |
| Outside diameter | 508 mm / 20.00" |
| Net weight | 1256 kg / 2769.0 lbs |

| Ref | Description | Part number |
|-----|--------------------------------|-------------------|
| | | HDSA30 |
| 1 | Shaft 10" BECO Pin | SA33HD0883M |
| 2 | Shaft 'O' Ring | 9000425 |
| 3 | Nut 'O' Ring x 2 | 9000426 |
| 4 | Nut | SA33HD01 |
| 5 | 12off Drive Plates | SA33HD06 |
| 6 | Breakout Washer | SA33HD25 |
| 7 | Retainer 'O' Ring x 2 | 9000427 |
| 8 | Split Retaining Ring | SA33HD11 |
| 9 | Rubber Buffers x 3 | SA33HD05 |
| 10 | Steel Plates x 4 | 9000428 |
| 11 | Bottom Connector 10" BECO Box | SA33HD0983F |
| | Complete Shock Absorber | SA33HD83MF |



DRILL PIPES

76 mm - 323 mm Single pipe

406 mm - 1220 mm Double pipe

89 - 114 mm RC pipe



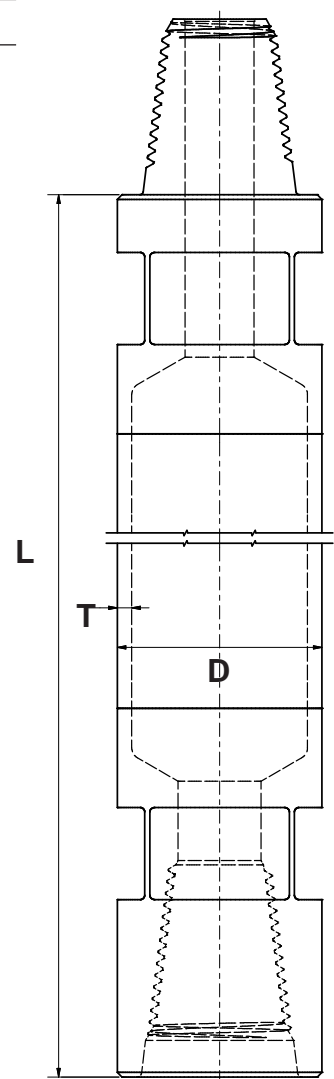
Drill Pipes

Drill Pipes

| Order code | Diameter D | | Wall thickness T | | Tool joint | Length L | | *Weight [kg*] | | |
|----------------|------------|-------|------------------|---------|--------------------------------|----------|---------|------------------|---------|-----|
| | [mm] | [in] | [mm] | [in] | | [mm] | [in] | | | |
| Drill pipe 76 | 76 | 2.992 | 4 | 0.157 | 2 3/8" reg. | 1000 | 39.370 | 12 | | |
| | | | | | | 1500 | 59.055 | 16 | | |
| | | | | | | 2000 | 78.740 | 19 | | |
| | | | | | | 3000 | 118.110 | 26 | | |
| | | | 6,3 | 0.248 | 2 3/8" reg. | 6000 | 236.220 | 47 | | |
| | | | | | | 1000 | 39.370 | 15 | | |
| | | | | | | 1500 | 59.055 | 21 | | |
| | | | | | | 2000 | 78.740 | 26 | | |
| Drill pipe 89 | 89 | 3.504 | 4 | 0.157 | 2 3/8" reg. | 1000 | 39.370 | 16 | | |
| | | | | | | 1500 | 59.055 | 21 | | |
| | | | | | | 2000 | 78.740 | 25 | | |
| | | | | | | 3000 | 118.110 | 33 | | |
| | | | 6,3 | 0.248 | 2 3/8" reg. | 6000 | 236.220 | 58 | | |
| | | | | | | 1000 | 39.370 | 19 | | |
| | | | | | | 1500 | 59.055 | 26 | | |
| | | | | | | 2000 | 78.740 | 32 | | |
| Drill pipe 102 | 102 | 4.016 | 6,3 | 0.248 | 2 7/8" reg. | 1000 | 39.370 | 25 | | |
| | | | | | | 1500 | 59.055 | 33 | | |
| | | | | | | 2000 | 78.740 | 40 | | |
| | | | | | | 3000 | 118.110 | 55 | | |
| | | | 6000 | 236.220 | 100 | 6000 | 236.220 | 1000 | 39.370 | 29 |
| | | | | | | | | 1500 | 59.055 | 38 |
| | | | | | | | | 2000 | 78.740 | 46 |
| | | | | | | | | 3000 | 118.110 | 63 |
| Drill pipe 114 | 114 | 4.488 | 6,3 | 0.248 | 3 1/2" reg./ or 3" Beco | 1000 | 39.370 | 29 | | |
| | | | | | | 1500 | 59.055 | 38 | | |
| | | | | | | 2000 | 78.740 | 46 | | |
| | | | | | | 3000 | 118.110 | 63 | | |
| | | | 6000 | 236.220 | 114 | 6000 | 236.220 | 1000 | 39.370 | 45 |
| | | | | | | | | 1500 | 59.055 | 59 |
| | | | | | | | | 2000 | 78.740 | 76 |
| | | | | | | | | 3000 | 118.110 | 104 |
| Drill pipe 139 | 139 | 5.472 | 8,8 | 0.346 | 3 1/2" reg./ or 3 1/2" Beco | 1000 | 39.370 | 45 | | |
| | | | | | | 1500 | 59.055 | 59 | | |
| | | | | | | 2000 | 78.740 | 76 | | |
| | | | | | | 3000 | 118.110 | 104 | | |
| | | | 12000 | 472.441 | 370 | 12000 | 472.441 | 6000 | 236.220 | 187 |
| | | | | | | | | 12000 | 472.441 | 370 |
| | | | | | | | | 1000 | 39.370 | 120 |
| | | | | | | | | 1500 | 59.055 | 145 |
| Drill pipe 168 | 168 | 6.614 | 12,5 | 0.492 | 4 1/2" reg./ or 4" Beco | 1000 | 39.370 | 120 | | |
| | | | | | | 1500 | 59.055 | 145 | | |
| | | | | | | 2000 | 78.740 | 170 | | |
| | | | | | | 3000 | 118.110 | 228 | | |
| | | | 12000 | 472.441 | 605 | 12000 | 472.441 | 6000 | 236.220 | 396 |
| | | | | | | | | 12000 | 472.441 | 605 |
| | | | | | | | | 1000 | 39.370 | 126 |
| | | | | | | | | 1500 | 59.055 | 154 |
| Drill pipe 193 | 193 | 7.598 | 12,5 | 0.492 | 4 1/2" reg./ or 5 1/4" Beco | 1000 | 39.370 | 126 | | |
| | | | | | | 1500 | 59.055 | 154 | | |
| | | | | | | 2000 | 78.740 | 181 | | |
| | | | | | | 3000 | 118.110 | 236 | | |
| | | | 12000 | 472.441 | 745 | 12000 | 472.441 | 6000 | 236.220 | 410 |
| | | | | | | | | 12000 | 472.441 | 745 |

| Order code | Diameter D | | Wall thickness T | | Tool joint | Length L | | *Weight [kg*] | |
|----------------|------------|--------|------------------|-------|----------------------------|----------|---------|------------------|------|
| | [mm] | [in] | [mm] | [in] | | [mm] | [in] | | |
| Drill pipe 219 | 219 | 8.622 | 12,5 | 0.492 | 4 1/2" reg./ or 6" Beco | 1000 | 39.370 | 159 | |
| | | | (also | | | 1500 | 59.055 | 191 | |
| | | | 20,0 | | | 2000 | 78.740 | 222 | |
| | | | and | | | 3000 | 118.110 | 285 | |
| | | | 25,0) | | | 6000 | 236.220 | 475 | |
| | | | | | | 12000 | 472.441 | 857 | |
| Drill pipe 254 | 254 | 10.000 | 12,5 | 0.492 | 6 5/8" reg. | 1000 | 39.370 | 222 | |
| | | | (also | | | 1500 | 59.055 | 259 | |
| | | | 20,0 | | | 2000 | 78.740 | 296 | |
| | | | and | | | 3000 | 118.110 | 370 | |
| | | | 25,0) | | | 6000 | 236.220 | 594 | |
| | | | | | | 12000 | 472.441 | 1041 | |
| | | | | | HEX150 | | 1000 | 39.370 | 204 |
| | | | | | | | 1500 | 59.055 | 241 |
| | | | | | | | 2000 | 78.740 | 279 |
| | | | | | | | 3000 | 118.110 | 354 |
| | | | | | | | 6000 | 236.220 | 577 |
| | | | | | | | 12000 | 472.441 | 1024 |
| Drill pipe 273 | 273 | 10.748 | 16 | 0.630 | 6 5/8" reg./ or 8" Beco | 1000 | 39.370 | 248 | |
| | | | | | | 1500 | 59.055 | 299 | |
| | | | | | | 2000 | 78.740 | 349 | |
| | | | | | | 3000 | 118.110 | 451 | |
| | | | | | | 6000 | 236.220 | 755 | |
| | | | | | | 12000 | 472.441 | 1363 | |
| | | | | | HEX150 | | 1000 | 39.370 | 282 |
| | | | | | | | 1500 | 59.055 | 333 |
| | | | | | | | 2000 | 78.740 | 383 |
| | | | | | | | 3000 | 118.110 | 484 |
| | | | | | | | 6000 | 236.220 | 788 |
| | | | | | | | 12000 | 472.441 | 1396 |
| Drill pipe 323 | 323 | 12.717 | 16 | 0.630 | 6 5/8" reg. | 1000 | 39.370 | 320 | |
| | | | | | | 1500 | 59.055 | 381 | |
| | | | | | | 2000 | 78.740 | 442 | |
| | | | | | | 3000 | 118.110 | 563 | |
| | | | | | | 6000 | 236.220 | 927 | |
| | | | | | | 12000 | 472.441 | 1654 | |
| | | | | | HEX190 | | 1000 | 39.370 | 360 |
| | | | | | | | 1500 | 59.055 | 421 |
| | | | | | | | 2000 | 78.740 | 482 |
| | | | | | | | 3000 | 118.110 | 603 |
| | | | | | | | 6000 | 236.220 | 966 |
| | | | | | | | 12000 | 472.441 | 1693 |

Ø 76 - 323 mm



Drill Pipes

*Weight can vary because of pipe joint details.

Drill Pipes - Double Pipe

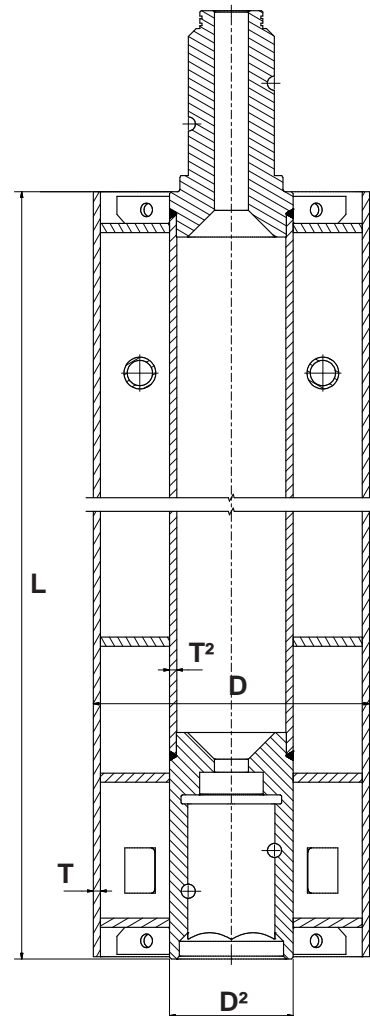
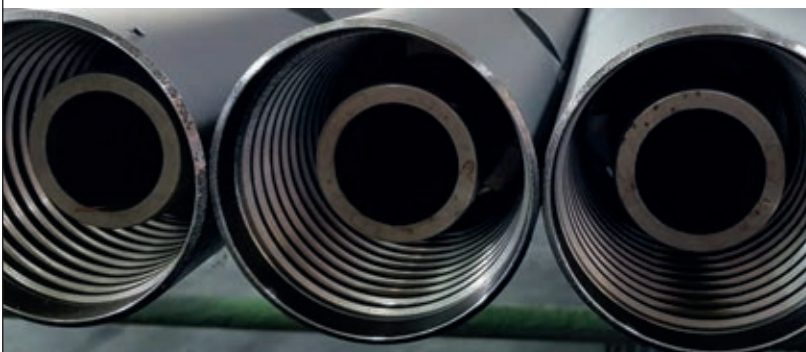
| Order code | Diameter | | Wall thickness | | Diameter 2 | | Wall thickness 2 | | Tool joint | Length | | *Weight | | | | | | | | | | | | | | | | | | | | |
|----------------|----------------|---------|----------------|-------|------------|--------|------------------|-------|-------------|----------------|---------|---------|-------|-------|--------|--------|-------|--------|-------------|----------------|---------|--------|------|-------|-------|--------|----|-------|--------|------|--------|-----|
| | [mm] | [in] | [mm] | [in] | [mm] | [in] | [mm] | [in] | | [mm] | [in] | [kg*] | | | | | | | | | | | | | | | | | | | | |
| Drill pipe 406 | 406 | 15.984 | 12,5 | 0.492 | 273 | 10.748 | 16 | 0.630 | 8 5/8" reg. | 1000 | 39.370 | 387 | | | | | | | | | | | | | | | | | | | | |
| | | | | | | | | | | 1500 | 59.055 | 487 | | | | | | | | | | | | | | | | | | | | |
| | | | | | | | | | | 2000 | 78.740 | 598 | | | | | | | | | | | | | | | | | | | | |
| | | | | | | | | | | 3000 | 118.110 | 821 | | | | | | | | | | | | | | | | | | | | |
| | | | | | | | | | | 6000 | 236.220 | 1507 | | | | | | | | | | | | | | | | | | | | |
| | | | | | | | | | | 12000 | 472.441 | 2860 | | | | | | | | | | | | | | | | | | | | |
| | | | | | | | | | HEX190 | 1000 | 39.370 | 414 | | | | | | | | | | | | | | | | | | | | |
| | | | | | | | | | | 1500 | 59.055 | 525 | | | | | | | | | | | | | | | | | | | | |
| | | | | | | | | | | 2000 | 78.740 | 637 | | | | | | | | | | | | | | | | | | | | |
| | | | | | | | | | | 3000 | 118.110 | 859 | | | | | | | | | | | | | | | | | | | | |
| | | | | | | | | | | 6000 | 236.220 | 1545 | | | | | | | | | | | | | | | | | | | | |
| | | | | | | | | | | 12000 | 472.441 | 2898 | | | | | | | | | | | | | | | | | | | | |
| | | | | | | | | | | Drill pipe 457 | 457 | 17.992 | 12,5 | 0.492 | 273 | 10.748 | 16 | 0.630 | 8 5/8" reg. | 1000 | 39.370 | 401 | | | | | | | | | | |
| | | | | | | | | | | | | | | | | | | | | 1500 | 59.055 | 521 | | | | | | | | | | |
| 2000 | 78.740 | 640 | | | | | | | | | | | | | | | | | | | | | | | | | | | | | | |
| 3000 | 118.110 | 878 | | | | | | | | | | | | | | | | | | | | | | | | | | | | | | |
| 6000 | 236.220 | 1621 | | | | | | | | | | | | | | | | | | | | | | | | | | | | | | |
| 12000 | 472.441 | 3079 | | | | | | | | | | | | | | | | | | | | | | | | | | | | | | |
| HEX190 | 1000 | 39.370 | 440 | | | | | | | | | | | | | | | | | | | | | | | | | | | | | |
| | 1500 | 59.055 | 559 | | | | | | | | | | | | | | | | | | | | | | | | | | | | | |
| | 2000 | 78.740 | 678 | | | | | | | | | | | | | | | | | | | | | | | | | | | | | |
| | 3000 | 118.110 | 917 | | | | | | | | | | | | | | | | | | | | | | | | | | | | | |
| | 6000 | 236.220 | 1660 | | | | | | | | | | | | | | | | | | | | | | | | | | | | | |
| | 12000 | 472.441 | 3118 | | | | | | | | | | | | | | | | | | | | | | | | | | | | | |
| | Drill pipe 508 | 508 | 20.000 | 12,5 | 0.492 | 273 | 10.748 | 16 | 0.630 | | | | | | | | | | HEX190 | 1000 | 39.370 | 467 | | | | | | | | | | |
| | | | | | | | | | | | | | | | | | | | | 1500 | 59.055 | 594 | | | | | | | | | | |
| 2000 | | | | | | | | | | 78.740 | 721 | | | | | | | | | | | | | | | | | | | | | |
| 3000 | | | | | | | | | | 118.110 | 975 | | | | | | | | | | | | | | | | | | | | | |
| 6000 | | | | | | | | | | 236.220 | 1777 | | | | | | | | | | | | | | | | | | | | | |
| 12000 | | | | | | | | | | 472.441 | 3341 | | | | | | | | | | | | | | | | | | | | | |
| Drill pipe 559 | | | | | | | | | | 559 | 22.008 | 12,5 | 0.492 | 323,9 | 12.752 | 16 | 0.630 | HEX190 | | 1000 | 39.370 | 611 | | | | | | | | | | |
| | | | | | | | | | | | | | | | | | | | | 1500 | 59.055 | 756 | | | | | | | | | | |
| | | | | | | | | | | | | | | | | | | | | 2000 | 78.740 | 901 | | | | | | | | | | |
| | | | | | | | | | | | | | | | | | | | | 3000 | 118.110 | 1191 | | | | | | | | | | |
| | | | | | | | | | | | | | | | | | | | | 6000 | 236.220 | 2105 | | | | | | | | | | |
| | | | | | | | | | | | | | | | | | | | | 12000 | 472.441 | 3890 | | | | | | | | | | |
| | | | | | | | | | | | | | | | | | | | | Drill pipe 610 | 610 | 24.016 | 12,5 | 0.492 | 323,9 | 12.752 | 16 | 0.630 | HEX190 | 1000 | 39.370 | 641 |
| | | | | | | | | | | | | | | | | | | | | | | | | | | | | | | 1500 | 59.055 | 794 |
| | 2000 | 78.740 | 947 | | | | | | | | | | | | | | | | | | | | | | | | | | | | | |
| | 3000 | 118.110 | 1252 | | | | | | | | | | | | | | | | | | | | | | | | | | | | | |
| | 6000 | 236.220 | 2228 | | | | | | | | | | | | | | | | | | | | | | | | | | | | | |
| | 12000 | 472.441 | 4120 | | | | | | | | | | | | | | | | | | | | | | | | | | | | | |
| | Drill pipe 711 | 711 | 27.992 | 12,5 | 0.492 | 323,9 | 12.752 | 16 | 0.630 | | | | | | | | | | HEX190 | | | | | | | | | | | 1000 | 39.370 | 704 |
| | | | | | | | | | | | | | | | | | | | | | | | | | | | | | | 1500 | 59.055 | 872 |
| 2000 | | | | | | | | | | 78.740 | 1040 | | | | | | | | | | | | | | | | | | | | | |
| 3000 | | | | | | | | | | 118.110 | 1377 | | | | | | | | | | | | | | | | | | | | | |
| 6000 | | | | | | | | | | 236.220 | 2478 | | | | | | | | | | | | | | | | | | | | | |
| 12000 | | | | | | | | | | 472.441 | 4589 | | | | | | | | | | | | | | | | | | | | | |
| Drill pipe 762 | | | | | | | | | | 762 | 30.000 | 12,5 | 0.492 | 323,9 | 12.752 | 16 | 0.630 | HEX190 | | | | | | | | | | | | 1000 | 39.370 | 737 |
| | | | | | | | | | | | | | | | | | | | | | | | | | | | | | | 1500 | 59.055 | 913 |
| | | | | | | | | | | | | | | | | | | | | 2000 | 78.740 | 1090 | | | | | | | | | | |
| | | | | | | | | | | | | | | | | | | | | 3000 | 118.110 | 1442 | | | | | | | | | | |
| | | | | | | | | | | | | | | | | | | | | 6000 | 236.220 | 2608 | | | | | | | | | | |
| | | | | | | | | | | | | | | | | | | | | 12000 | 472.441 | 4831 | | | | | | | | | | |

| Order code | Diameter | | Wall thickness | | Diameter 2 | | Wall thickness 2 | | Tool joint | Length | | *Weight |
|-----------------|----------|--------|----------------|-------|------------|--------|------------------|-------|------------|--------|---------|---------|
| | [mm] | [in] | [mm] | [in] | [mm] | [in] | [mm] | [in] | | [mm] | [in] | [kg*] |
| Drill pipe 813 | 813 | 32.008 | 12,5 | 0.492 | 323,9 | 12.752 | 16 | 0.630 | HEX210 | 1000 | 39.370 | 772 |
| | | | | | | | | | | 1500 | 59.055 | 956 |
| | | | | | | | | | | 2000 | 78.740 | 1140 |
| | | | | | | | | | | 3000 | 118.110 | 1508 |
| | | | | | | | | | | 6000 | 236.220 | 2740 |
| Drill pipe 914 | 914 | 35.984 | 12,5 | 0.492 | 323,9 | 12.752 | 16 | 0.630 | HEX210 | 1000 | 39.370 | 845 |
| | | | | | | | | | | 1500 | 59.055 | 1044 |
| | | | | | | | | | | 2000 | 78.740 | 1244 |
| | | | | | | | | | | 3000 | 118.110 | 1643 |
| | | | | | | | | | | 6000 | 236.220 | 3011 |
| Drill pipe 1016 | 1016 | 40.000 | 12,5 | 0.492 | 323,9 | 12.752 | 16 | 0.630 | HEX210 | 1000 | 39.370 | 923 |
| | | | | | | | | | | 1500 | 59.055 | 1139 |
| | | | | | | | | | | 2000 | 78.740 | 1354 |
| | | | | | | | | | | 3000 | 118.110 | 1785 |
| | | | | | | | | | | 6000 | 236.220 | 3294 |
| Drill pipe 1220 | 1220 | 48.031 | 12,5 | 0.492 | 323,9 | 12.752 | 16 | 0.630 | HEX210 | 1000 | 39.370 | 1094 |
| | | | | | | | | | | 1500 | 59.055 | 1343 |
| | | | | | | | | | | 2000 | 78.740 | 1590 |
| | | | | | | | | | | 3000 | 118.110 | 2083 |
| | | | | | | | | | | 6000 | 236.220 | 3891 |
| | | | | | | | | | | 12000 | 472.441 | 7179 |

Ø 406 - 1220 mm

Drill Pipes - RC Pipe

| Diameter (OD) | | Tool joint | Length L | |
|---------------|------|--|----------|---------|
| [mm] | [in] | | [mm] | [in] |
| 89 | 3½ | 3½" REMET | 3000 | 118.110 |
| | | | 6000 | 236.220 |
| 102 | 4 | 4" REMET/ or 4" METZKE/ or DR102 | 3000 | 118.110 |
| | | | 6000 | 236.220 |
| | | | | |
| 114 | 4½ | 4½" REMET/ or 4½" METZKE/ or DR115 | 3000 | 118.110 |
| | | | 6000 | 236.220 |
| | | | | |



Drill Pipes



ACCESSORIES

Subs

Check valves

Adapters

Hammer sleeves

Air hoses & chain keys

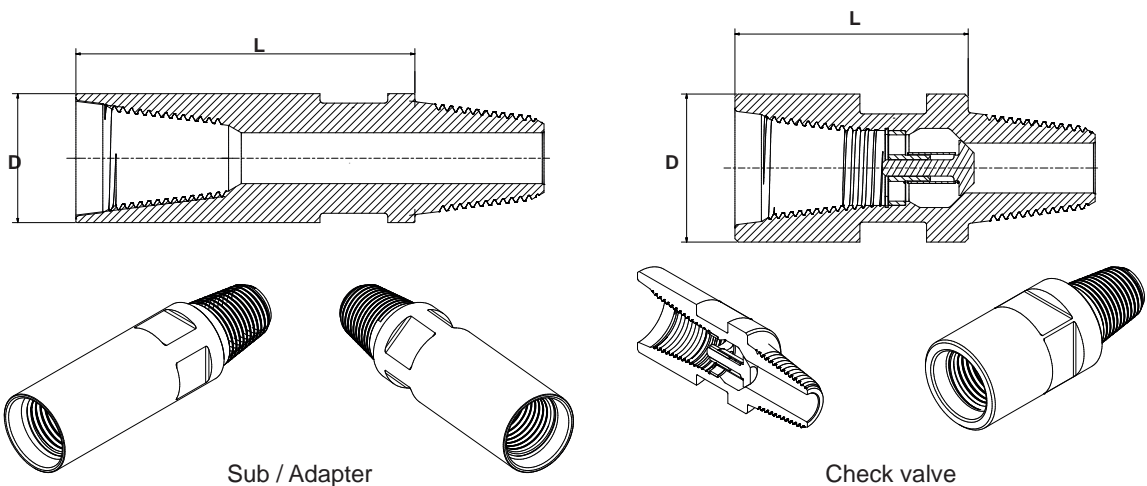


Accessories

| Order code | Diameter | | Top connector | Bottom connector | Length | | Weight |
|---|-------------|----------------------------------|-------------------------|-------------------------|--------|--------|--------|
| | [mm] | [in] | | | [mm] | [in] | |
| Sub 76,1 - 2 $\frac{3}{8}$ REG box & pin L140 | 76,1 | 3 | 2 $\frac{3}{8}$ REG box | 2 $\frac{3}{8}$ REG pin | 140 | 5.512 | 4 |
| Sub 88,9 - 2 $\frac{3}{8}$ REG box & pin L140 | 88,9 | 3 $\frac{1}{2}$ | 2 $\frac{3}{8}$ REG box | 2 $\frac{3}{8}$ REG pin | 140 | 5.512 | 5 |
| Sub 88,9 - 2 $\frac{3}{8}$ REG box & pin L225 | 88,9 | 3 $\frac{1}{2}$ | 2 $\frac{3}{8}$ REG box | 2 $\frac{3}{8}$ REG pin | 225 | 8.858 | 9 |
| Sub 88,9 - 2 $\frac{3}{8}$ REG box & pin L305 | 88,9 | 3 $\frac{1}{2}$ | 2 $\frac{3}{8}$ REG box | 2 $\frac{3}{8}$ REG pin | 305 | 12.008 | 12 |
| Adapter 114,3 - 2 $\frac{3}{8}$ -3 $\frac{1}{2}$ REG box & pin L120 | 114,3 | 4 $\frac{1}{2}$ | 2 $\frac{3}{8}$ REG box | 3 $\frac{1}{2}$ REG pin | 120 | 4.724 | 10 |
| Adapter 88,9 - 2 $\frac{1}{2}$ -2 $\frac{3}{8}$ REG box & pin L134 | 88,9 | 3 $\frac{1}{2}$ | 2 $\frac{1}{2}$ REG box | 2 $\frac{3}{8}$ REG pin | 134 | 5.276 | 5 |
| Adapter 114,3 - 2 $\frac{1}{2}$ -3 $\frac{1}{2}$ REG box & pin L145 | 114,3 | 4 $\frac{1}{2}$ | 2 $\frac{1}{2}$ REG box | 3 $\frac{1}{2}$ REG pin | 145 | 5.709 | 8 |
| Sub 114,3 - 3 $\frac{1}{2}$ REG box & pin L250 | 114,3 | 4 $\frac{1}{2}$ | 3 $\frac{1}{2}$ REG box | 3 $\frac{1}{2}$ REG pin | 250 | 9.843 | 16 |
| Adapter 114,3/88,9 - 3 $\frac{1}{2}$ -2 $\frac{3}{8}$ REG box & pin L300 | 114,3/88,9 | 4 $\frac{1}{2}$ /3 $\frac{1}{2}$ | 3 $\frac{1}{2}$ REG box | 2 $\frac{3}{8}$ REG pin | 300 | 11.811 | 17 |
| Adapter 114,3 - 3 $\frac{1}{2}$ -2 $\frac{3}{8}$ REG box & pin L160 | 114,3 | 4 $\frac{1}{2}$ | 3 $\frac{1}{2}$ REG box | 2 $\frac{3}{8}$ REG pin | 160 | 6.299 | 9 |
| Adapter 140 - 3 $\frac{1}{2}$ -2 $\frac{1}{2}$ REG box & pin L104 | 140 | 5 $\frac{1}{2}$ | 3 $\frac{1}{2}$ REG box | 4 $\frac{1}{2}$ REG pin | 104 | 4.094 | 13 |
| Adapter 140/114,3 - 4 $\frac{1}{2}$ -3 $\frac{1}{2}$ REG box & pin L220 | 140/114,3 | 5 $\frac{1}{2}$ /4 $\frac{1}{2}$ | 4 $\frac{1}{2}$ REG box | 3 $\frac{1}{2}$ REG pin | 220 | 8.661 | 16 |
| Sub 140 - 4 $\frac{1}{2}$ REG box & pin L180 | 140 | 5 $\frac{1}{2}$ | 4 $\frac{1}{2}$ REG box | 4 $\frac{1}{2}$ REG pin | 180 | 7.087 | 18 |
| Adapter 196,8/140 - 4 $\frac{1}{2}$ -6 $\frac{5}{8}$ REG box & pin L215 | 196,8/140 | 7 $\frac{3}{4}$ /5 $\frac{1}{2}$ | 4 $\frac{1}{2}$ REG box | 6 $\frac{5}{8}$ REG pin | 215 | 8.465 | 30 |
| Adapter 196,8/114,3 - 6 $\frac{5}{8}$ -3 $\frac{1}{2}$ REG box & pin L265 | 196,8/114,3 | 7 $\frac{3}{4}$ /4 $\frac{1}{2}$ | 6 $\frac{5}{8}$ REG box | 3 $\frac{1}{2}$ REG pin | 265 | 10.433 | 28 |
| Adapter 196,8/140 - 6 $\frac{5}{8}$ -4 $\frac{1}{2}$ REG box & pin L240 | 196,8/140 | 7 $\frac{3}{4}$ /5 $\frac{1}{2}$ | 6 $\frac{5}{8}$ REG box | 4 $\frac{1}{2}$ REG pin | 240 | 9.449 | 31 |
| Adapter 254 - 6 $\frac{5}{8}$ -150 REG box & Hex pin L300 | 254 | 10 | 6 $\frac{5}{8}$ REG box | Hex 150 pin | 300 | 11.811 | 120 |
| Adapter 254 - 150-6 $\frac{5}{8}$ Hex box & REG pin L350 | 254 | 10 | Hex 150 box | 6 $\frac{5}{8}$ REG pin | 350 | 13.780 | 148 |
| Adapter 273 - 6 $\frac{5}{8}$ -190 REG box & Hex pin L300 | 273 | 10 $\frac{3}{4}$ | 6 $\frac{5}{8}$ REG box | Hex 190 pin | 300 | 11.811 | 207 |
| Adapter 273 - 190-6 $\frac{5}{8}$ Hex box & REG pin L550 | 273 | 10 $\frac{3}{4}$ | Hex 190 box | 6 $\frac{5}{8}$ REG pin | 550 | 21.654 | 188 |
| Adapter 273 - 8 $\frac{5}{8}$ -190 REG box & Hex pin L300 | 273 | 10 $\frac{3}{4}$ | 8 $\frac{5}{8}$ REG box | Hex 190 pin | 300 | 11.811 | 208 |
| Adapter 273 - 190-8 $\frac{5}{8}$ Hex box & REG pin L550 | 273 | 10 $\frac{3}{4}$ | Hex 190 box | 8 $\frac{5}{8}$ REG pin | 550 | 21.654 | 189 |
| Adapter 323 - 6 $\frac{5}{8}$ -210 REG box & Hex pin L300 | 323 | 10 $\frac{3}{4}$ | 6 $\frac{5}{8}$ REG box | Hex 210 pin | 300 | 11.811 | 322 |
| Adapter 323 - 210-6 $\frac{5}{8}$ Hex box & REG pin L550 | 323 | 10 $\frac{3}{4}$ | Hex 210 box | 6 $\frac{5}{8}$ REG pin | 550 | 21.654 | 296 |

| Order code | Diameter | | Top connector | Bottom connector | Length | | Weight |
|---|----------|-----------------|-------------------------|-------------------------|--------|-------|--------|
| | [mm] | [in] | | | [mm] | [in] | |
| Check valve 76,1 - 2 $\frac{3}{8}$ REG box & pin L140 | 76,1 | 3 | 2 $\frac{3}{8}$ REG box | 2 $\frac{3}{8}$ REG pin | 140 | 5.512 | 6 |
| Check valve 88,9 - 2 $\frac{3}{8}$ REG box & pin L140 | 88,9 | 3 $\frac{1}{2}$ | 2 $\frac{3}{8}$ REG box | 2 $\frac{3}{8}$ REG pin | 140 | 5.512 | 7 |
| Check valve 114,3 - 3 $\frac{1}{2}$ REG box & pin L210 | 114,3 | 4 $\frac{1}{2}$ | 3 $\frac{1}{2}$ REG box | 3 $\frac{1}{2}$ REG pin | 210 | 8.268 | 16 |
| Check valve 127 - 3 $\frac{1}{2}$ REG box & pin L210 | 127 | 5 | 3 $\frac{1}{2}$ REG box | 3 $\frac{1}{2}$ REG pin | 210 | 8.268 | 19 |
| Check valve 140 - 4 $\frac{1}{2}$ -3 $\frac{1}{2}$ REG box & pin L230 | 140 | 5 $\frac{1}{2}$ | 4 $\frac{1}{2}$ REG box | 3 $\frac{1}{2}$ REG pin | 230 | 9.055 | 24 |

Hammer sleeves for request. Please contact Robit® sales, tel. +358 3 3140 3400 or sales@robitgroup.com



Air hoses & chain keys

35 bar air hoses, lengths 20 m, 35 m and 40 m
Hose covers



Chain key 3-5" & 3-8"

Chain 3-5" DA2344-C12 & 3-8" DA4174-C12

Key body 3-5" DA2344-C12 & 3-8" DA4174-C12



Robit

The Widest Offering in High Quality Drilling Consumables

ROBIT PLC

Vikkiniityntie 9

FI-33880 LEMPÄÄLÄ (TAMPERE)

FINLAND

Tel: +358 3 3140 3400

E-mail: sales@robitgroup.com

<http://www.robitgroup.com>

Your distributor:



Robit reserves all rights to any changes in the products and the specifications without prior notice.

Printed: March 2020

Copyright © 2020 by Robit Plc

